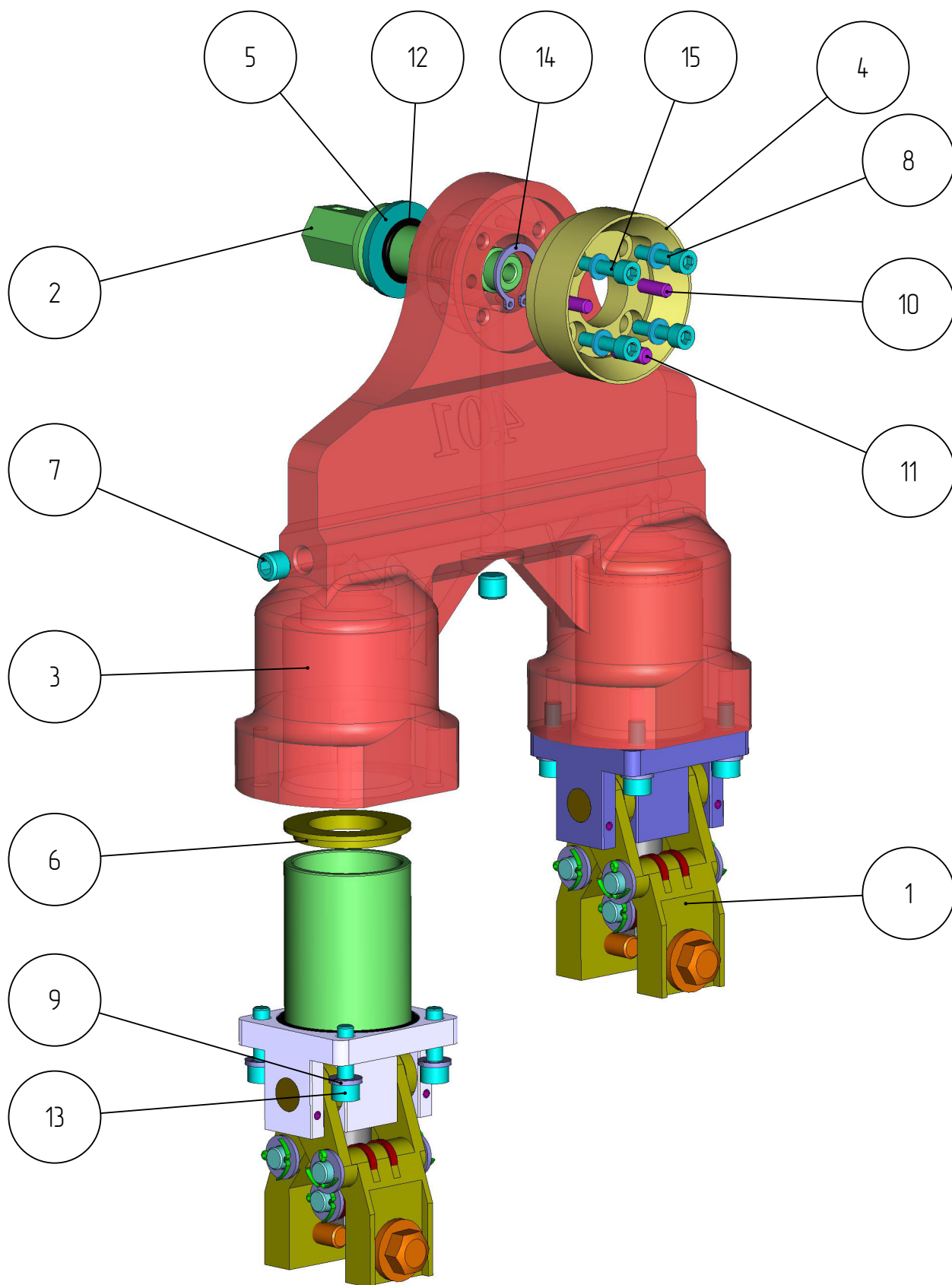


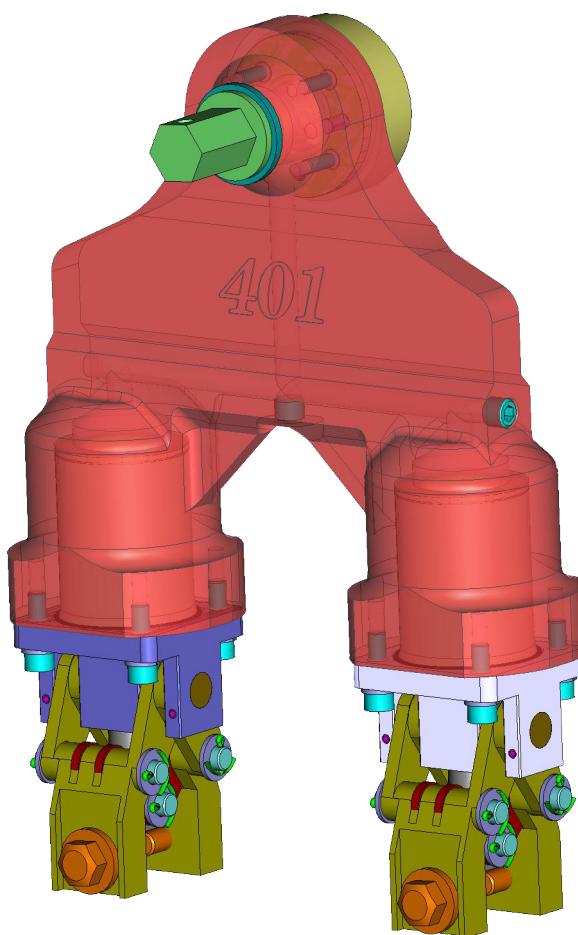
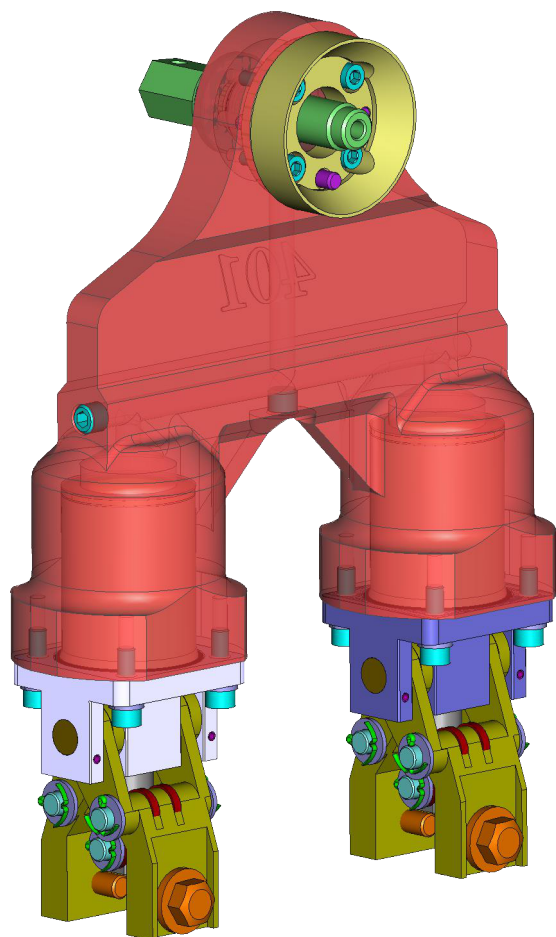
401

MX-401-003
TAKE OUT HEAD
(MPH-401-4700101_125182)

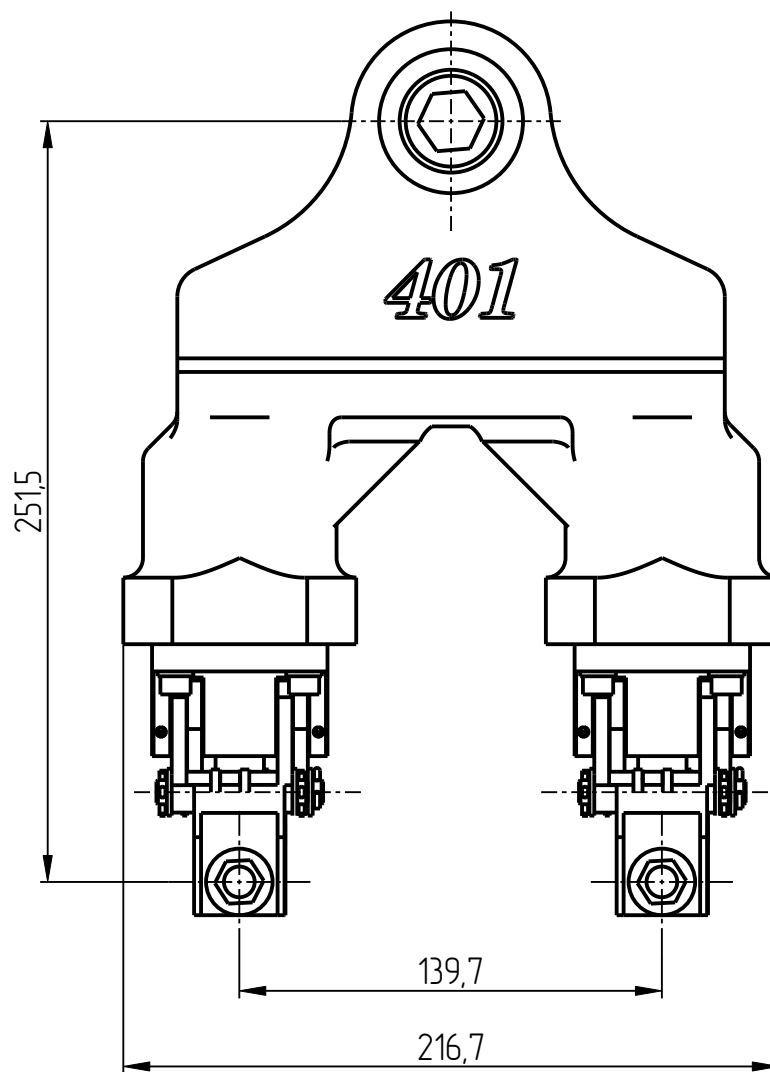
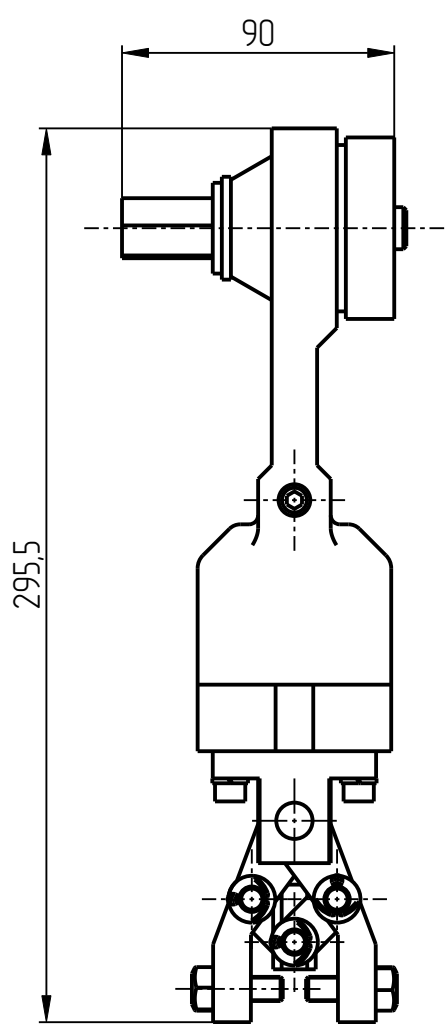
Take out head MX-401-003



Take out head MX-401-003



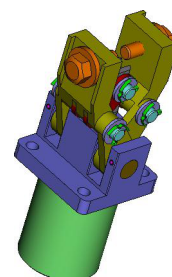
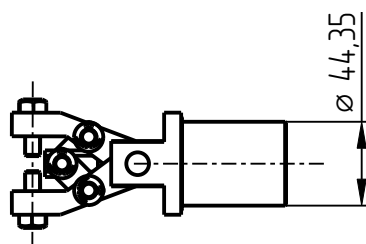
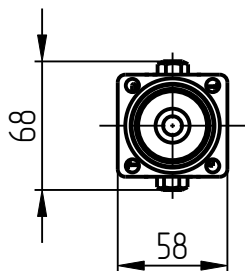
Take out head MX-401-003



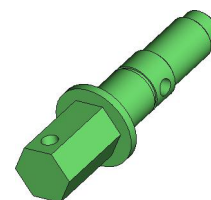
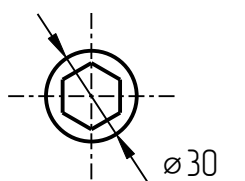
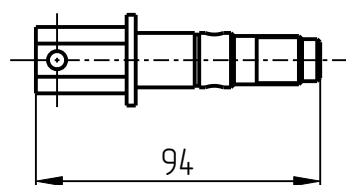
Take out head MX-401-003 Specification

№ pos.	Code	Name	Qty
Assemblies			
1	MX-401-001	Take out head	2
Parts			
2	MX-401-003-005	Shaft	1
3	MX-401-003-001	Body	1
4	MX-401-003-002	Con washer	1
5	MX-401-003-003	Washer	1
6	MX-401-003-004	Support washer	2
Standard parts			
7	Pipe plug MK10x1,5 DIN 906		2
8	Spring washer B5-A4 DIN 127		4
9	Spring washer B6-A4 DIN 127		8
10	Pin 5Гx20 DIN 6325		2
11	Pin 6Гx16 DIN 6325		1
12	O-ring 017-022-30-1-7 GOST 18829-73		1
13	Screw M6x20 DIN 912		8
14	Retaining ring A18 DIN 471		1
15	Screw M5x20 DIN 912		4

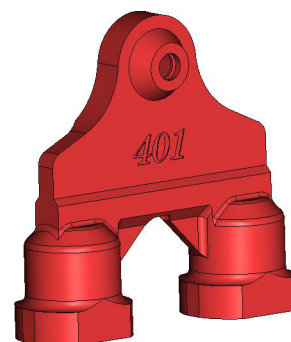
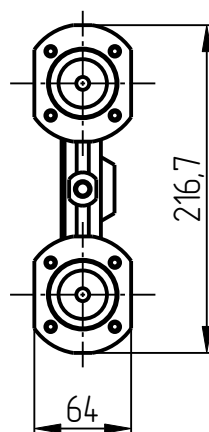
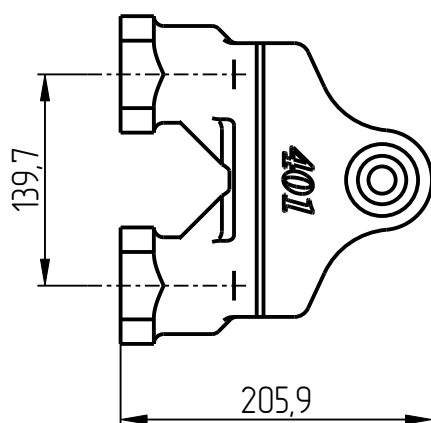
401



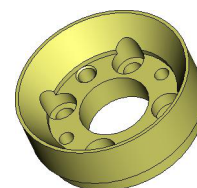
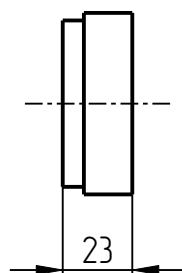
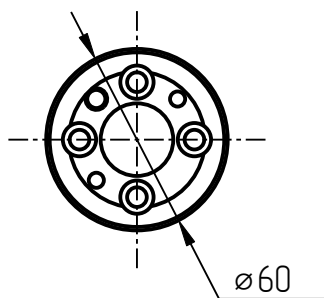
1. Take out head
MX-401-001



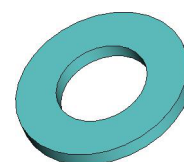
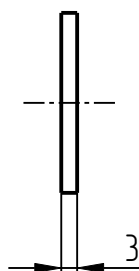
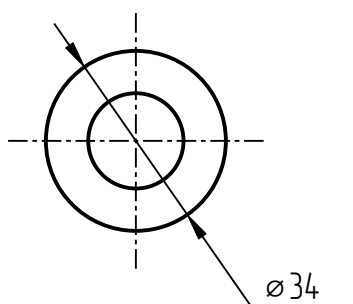
2. Shaft
MX-401-003-005



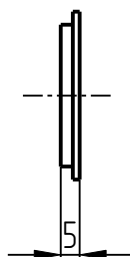
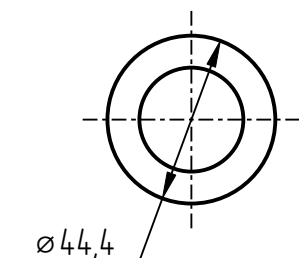
3. Body
MX-401-003-001



4. Con washer
MX-401-003-002



5. Washer
MX-401-003-003



6. Support washer
MX-401-003-004