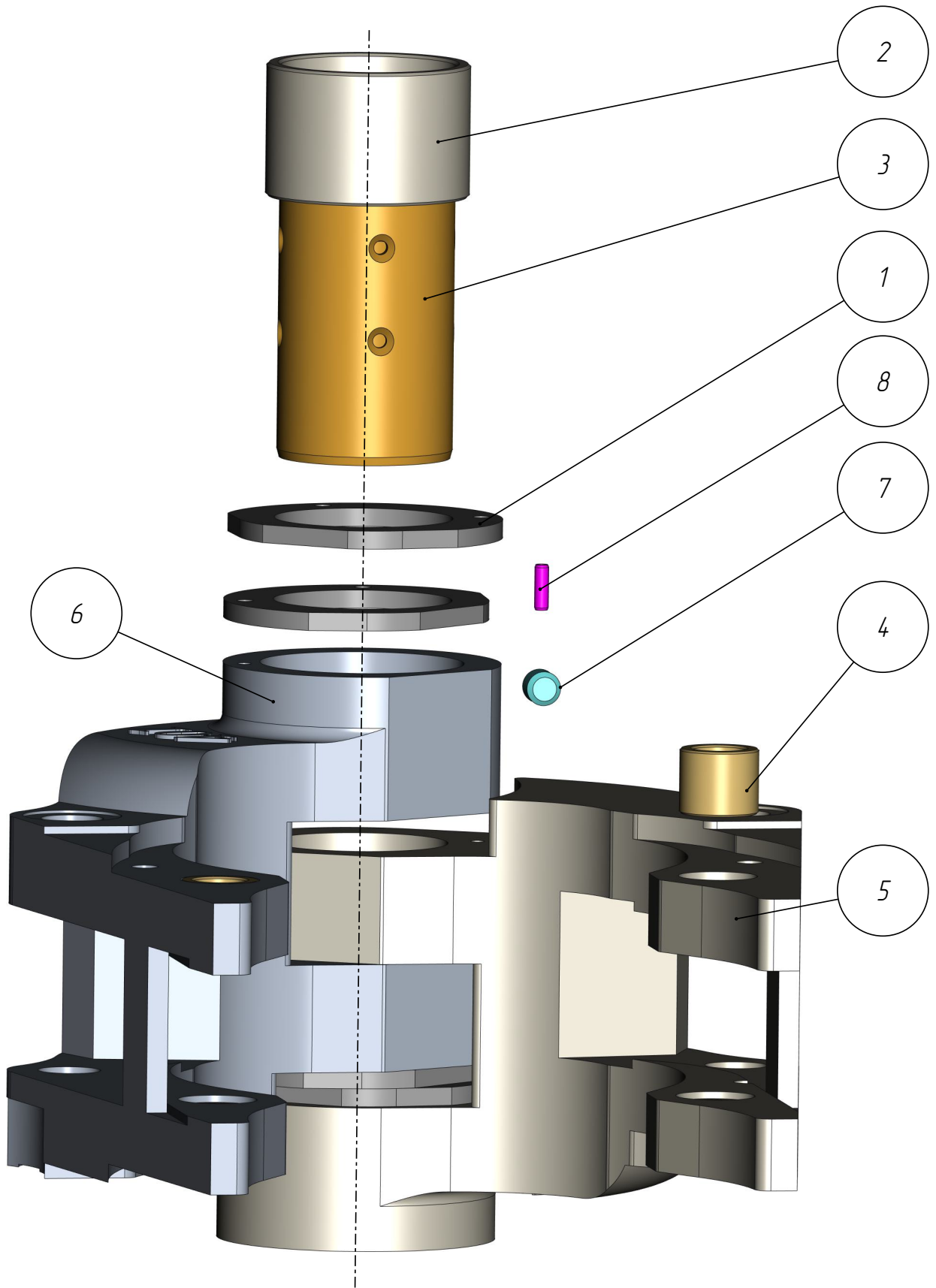


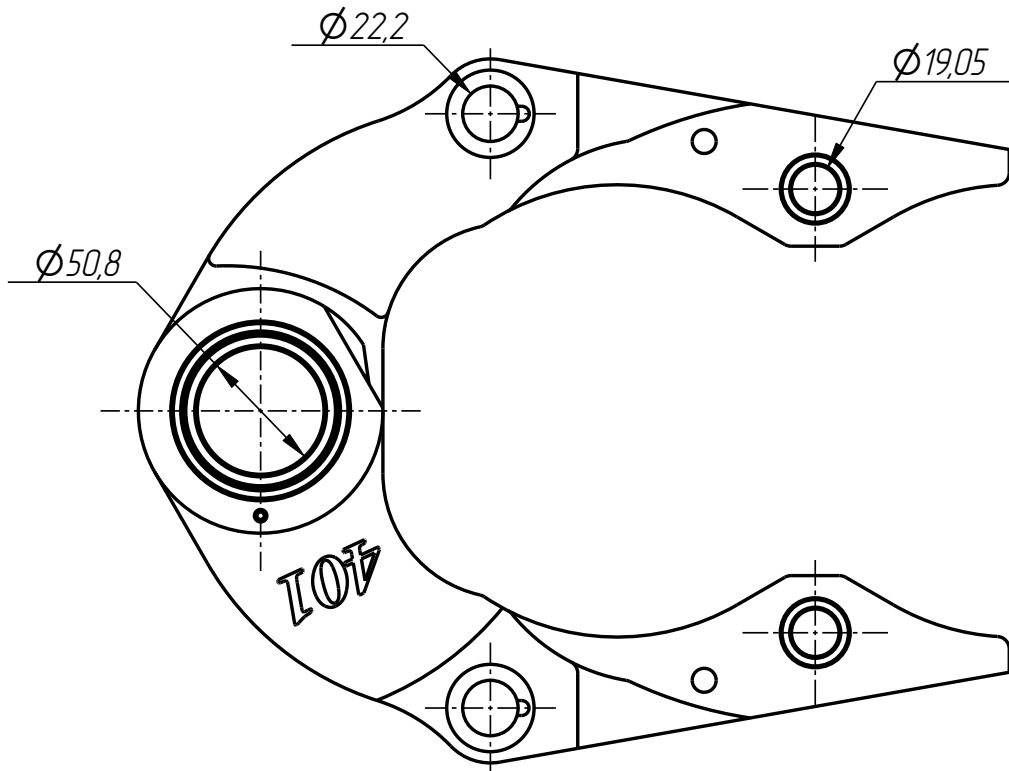
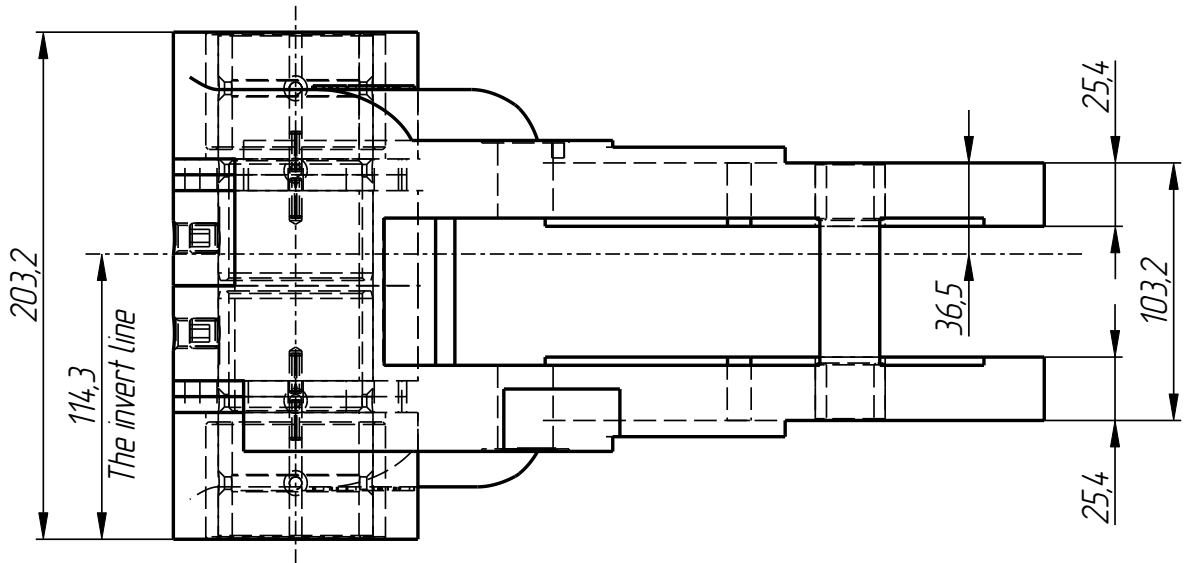
*401*

*DF-401-037*

*Form Holder  
(213F206400)*



DF-401-037



## DF-401-037

Form Holder  
(213F206400)

### Specification

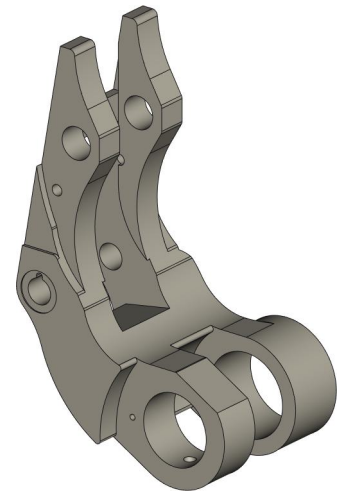
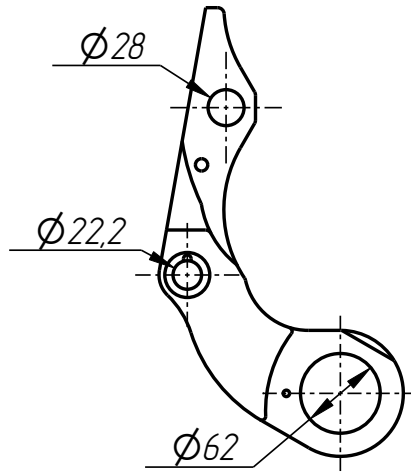
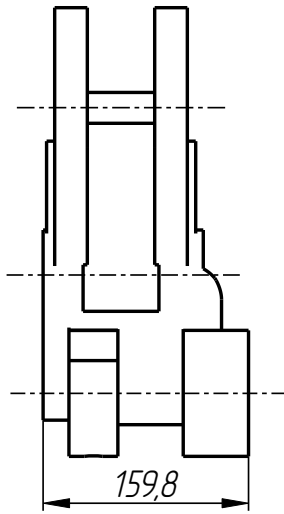
N° pos.	Code	Name	Qty
---------	------	------	-----

#### Parts:

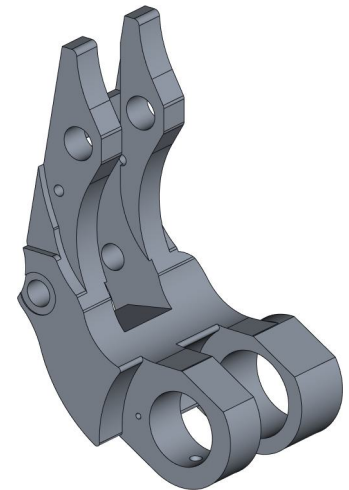
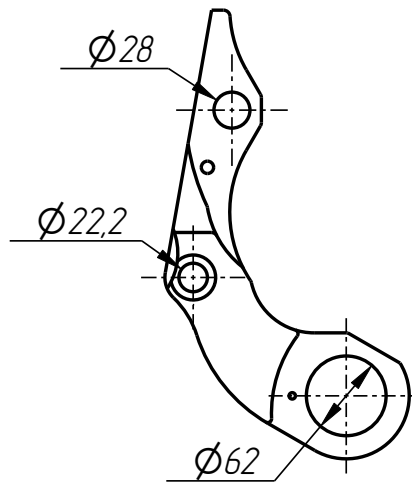
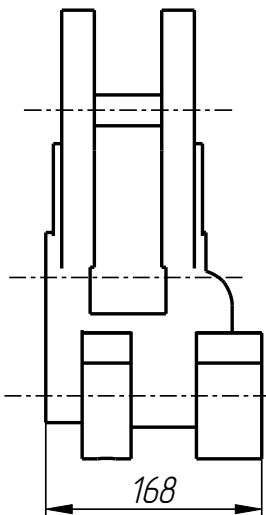
1	DF-401-001-003	Remote washer	4
2	DF-401-001-004	Bushing	2
3	DF-401-001-005	Bushing	2
4	DF-401-010-003	Bushing	4
5	DF-401-037-001	Lower lever	1
6	DF-401-037-002	Upper lever	1

#### Standard parts:

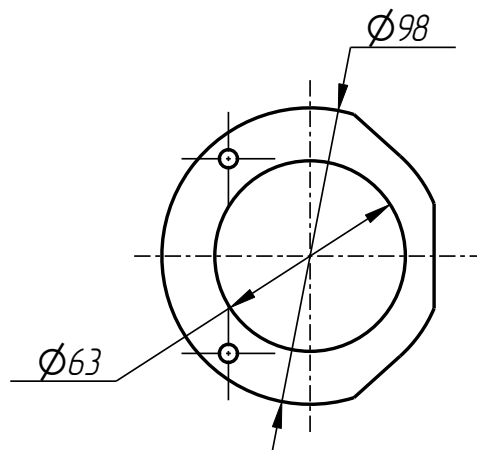
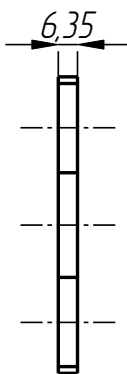
7	Screw M12x12 GOST 11074-93		2
8	Spring pin $\phi$ 5x16 DIN 1481		4



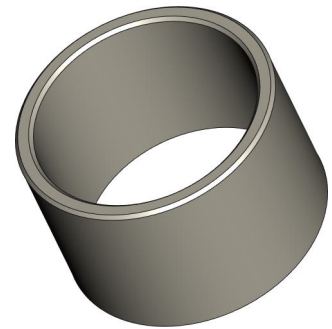
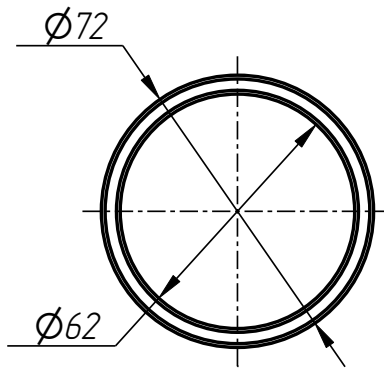
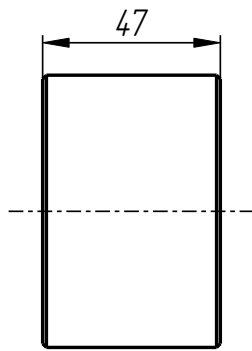
Lower lever  
DF-401-037-001



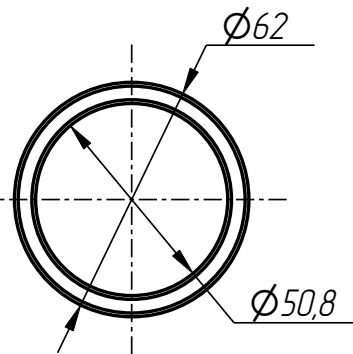
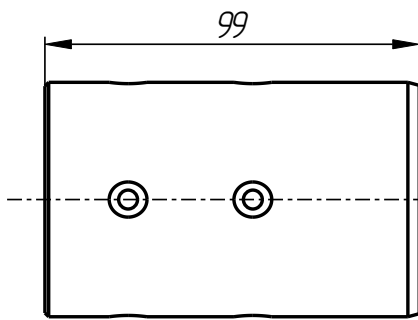
Upper lever  
DF-401-037-002



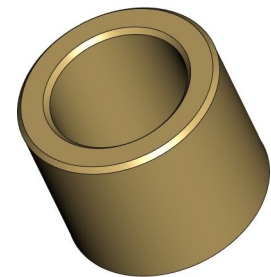
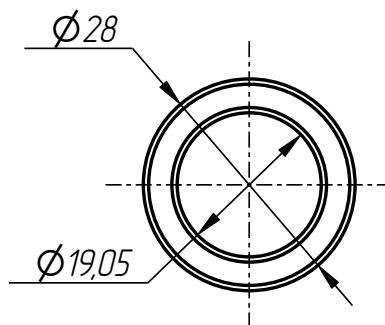
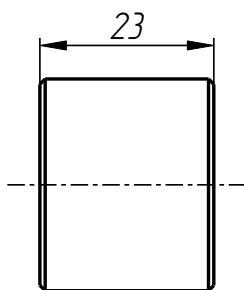
Remote washer  
DF-401-001-003



Bushing  
DF-401-001-004



Bushing  
DF-401-001-005



Bushing  
DF-401-010-003

DF-401-037