

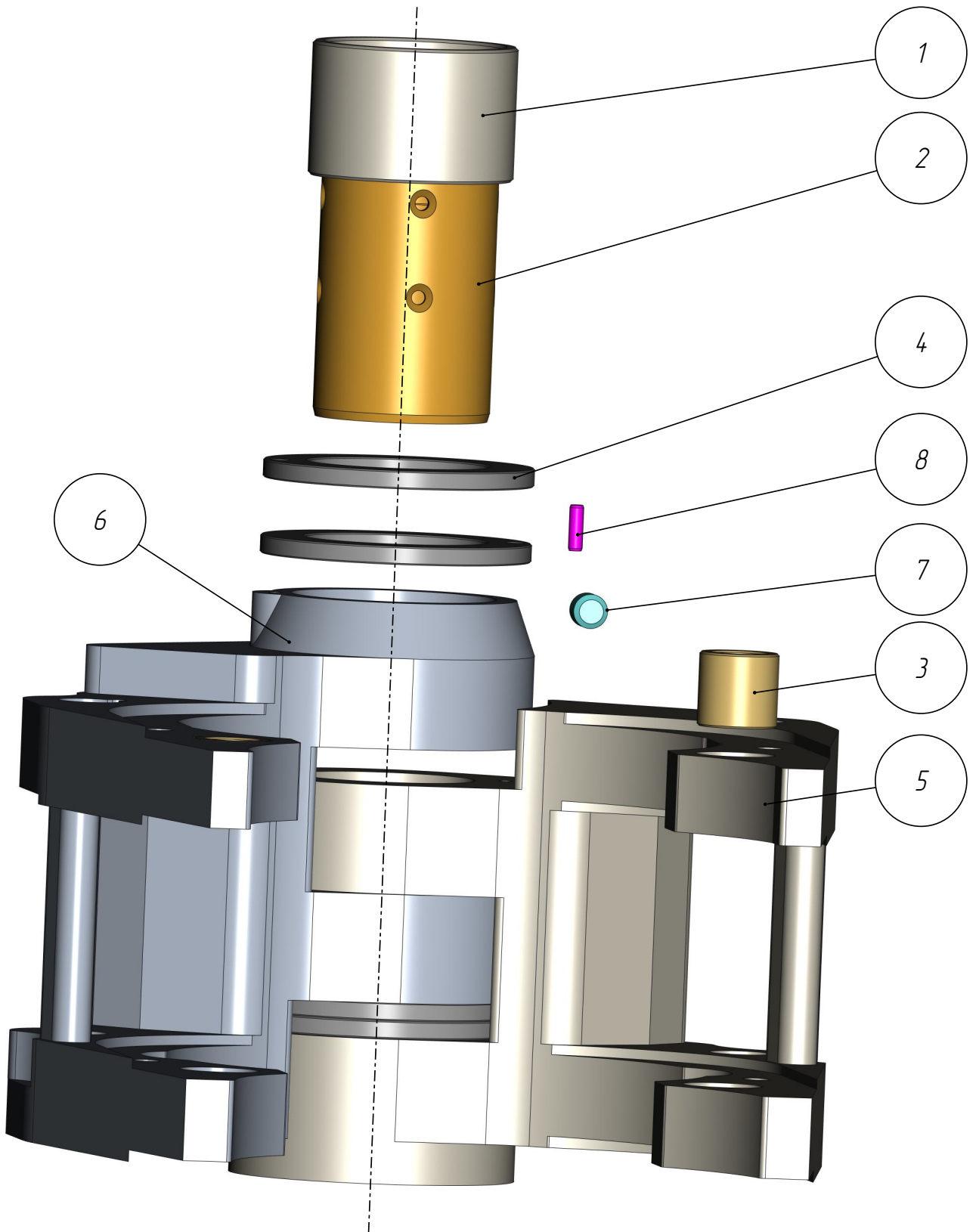
*401*

*DF-401-034*

*Form Holder*  
*(EF23-961-1-M1)*

Form Holder  
(EF23-961-1-M1)  
DF-401-034

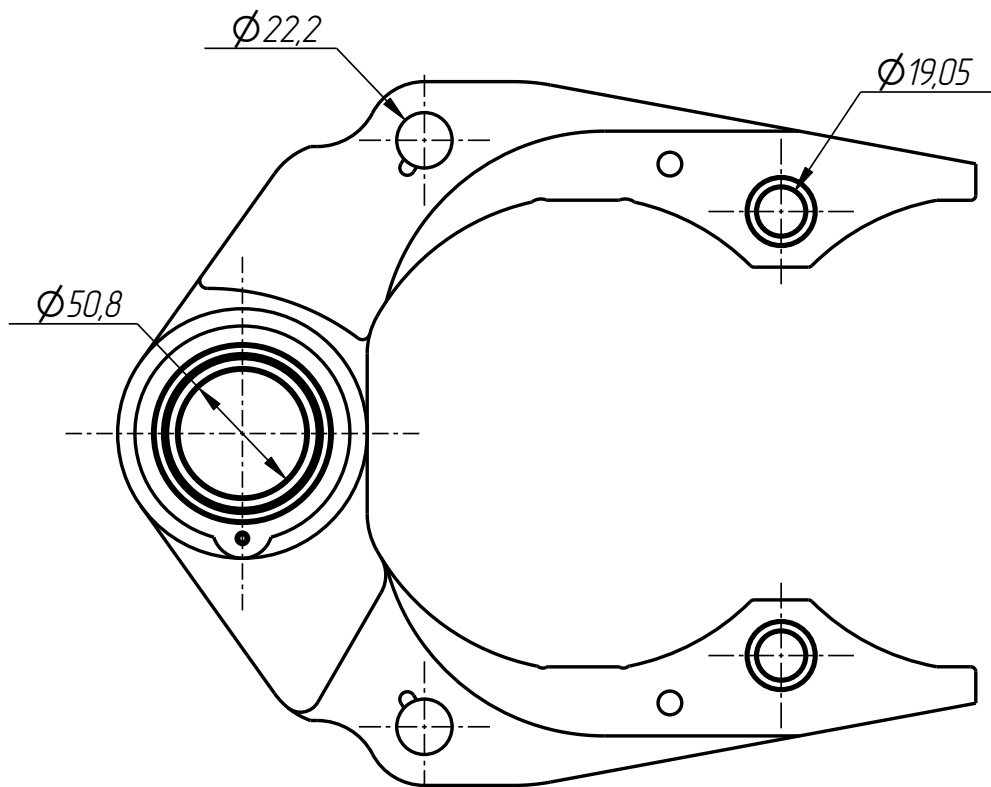
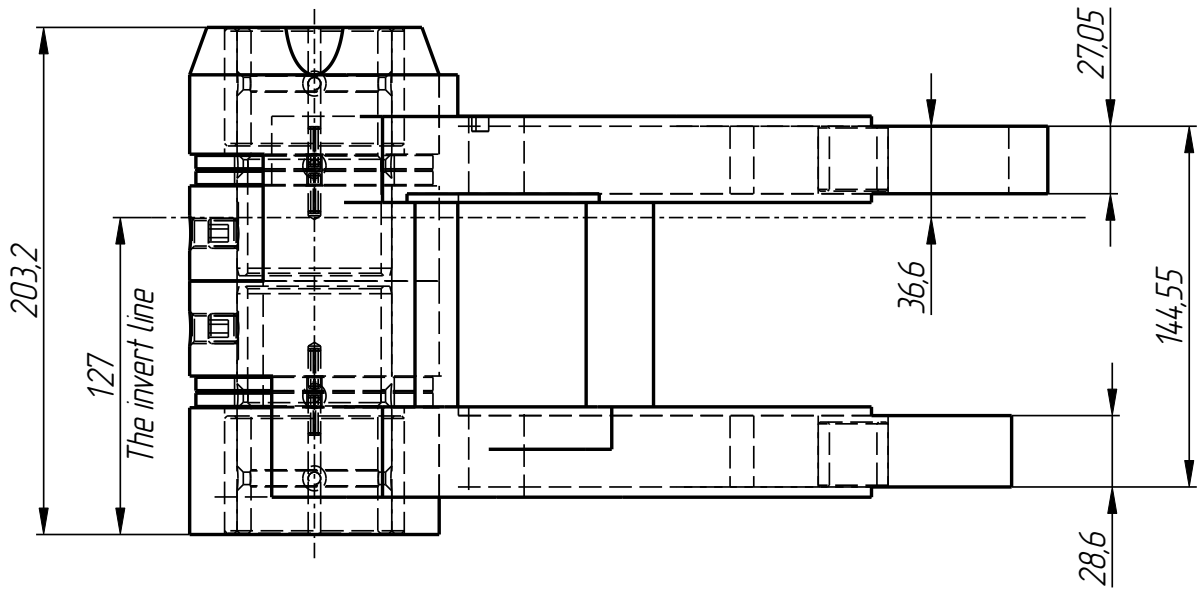
401



DF-401-034

Form Holder  
(EF23-961-1-M1)  
DF-401-034

401



DF-401-034

# DF-401-034

Form Holder  
(EF23-961-1-M1)

## Specification

<i>Nº pos.</i>	<i>Code</i>	<i>Name</i>	<i>Qty</i>
----------------	-------------	-------------	------------

### Parts:

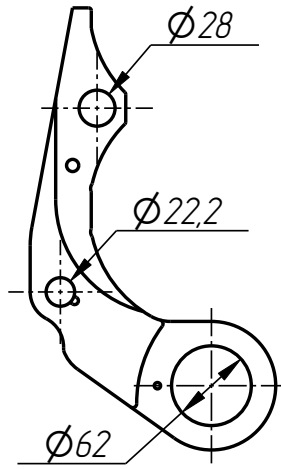
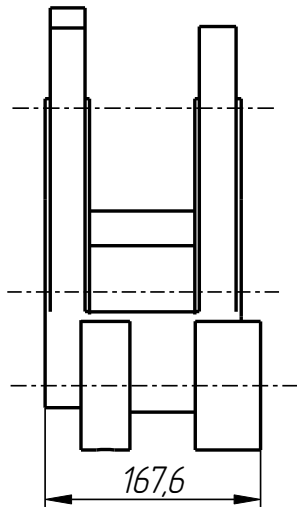
1	DF-401-001-004	Bushing	2
2	DF-401-001-005	Bushing	2
3	DF-401-001-006	Bushing	4
4	DF-401-015-006	Washer	4
5	DF-401-034-001	Lower lever	1
6	DF-401-034-002	Upper lever	1

### Standard parts:

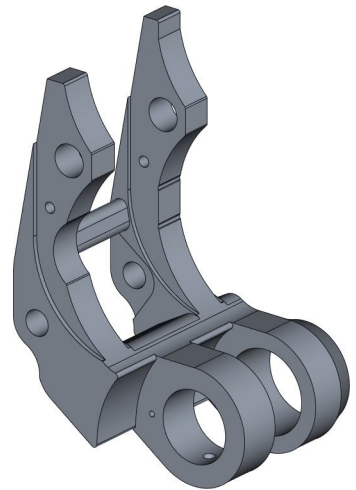
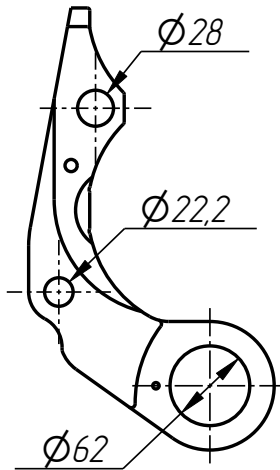
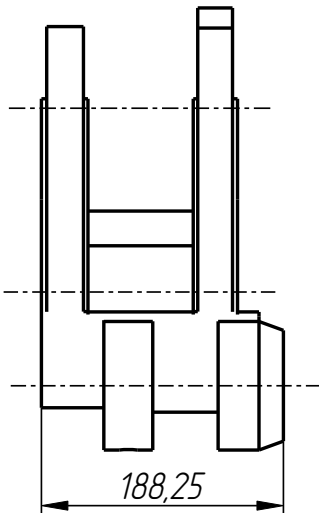
7	Screw M12x12 GOST 11074-93		2
8	Spring pin $\phi$ 5x16 DIN 1481		4

Form Holder  
(EF23-961-1-M1)  
DF-401-034

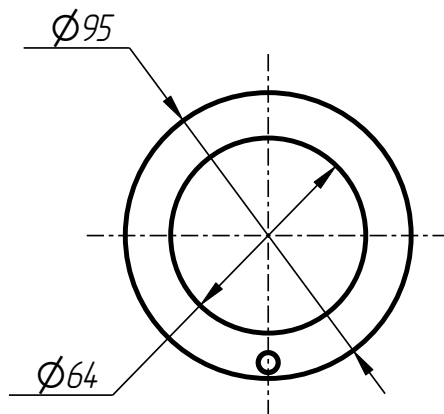
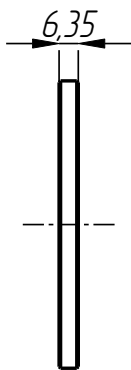
401



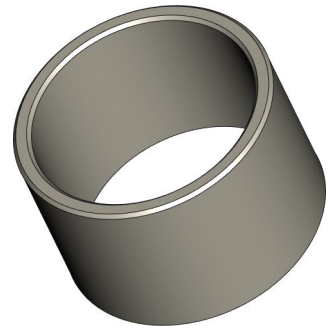
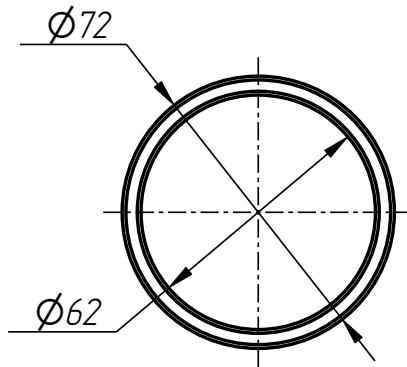
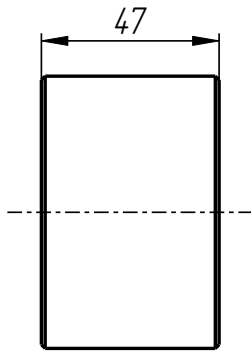
Lower lever  
DF-401-034-001



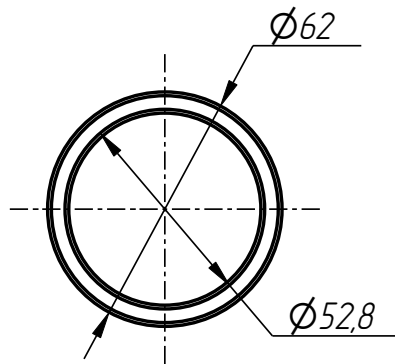
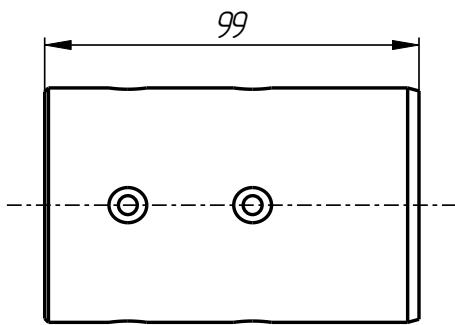
Upper lever  
DF-401-034-002



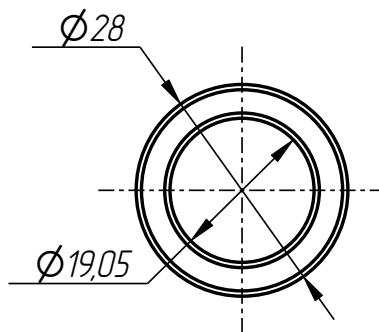
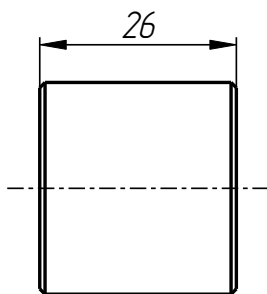
Washer  
DF-401-015-006



Bushing  
DF-401-001-004



Bushing  
DF-401-001-005



Bushing  
DF-401-001-006