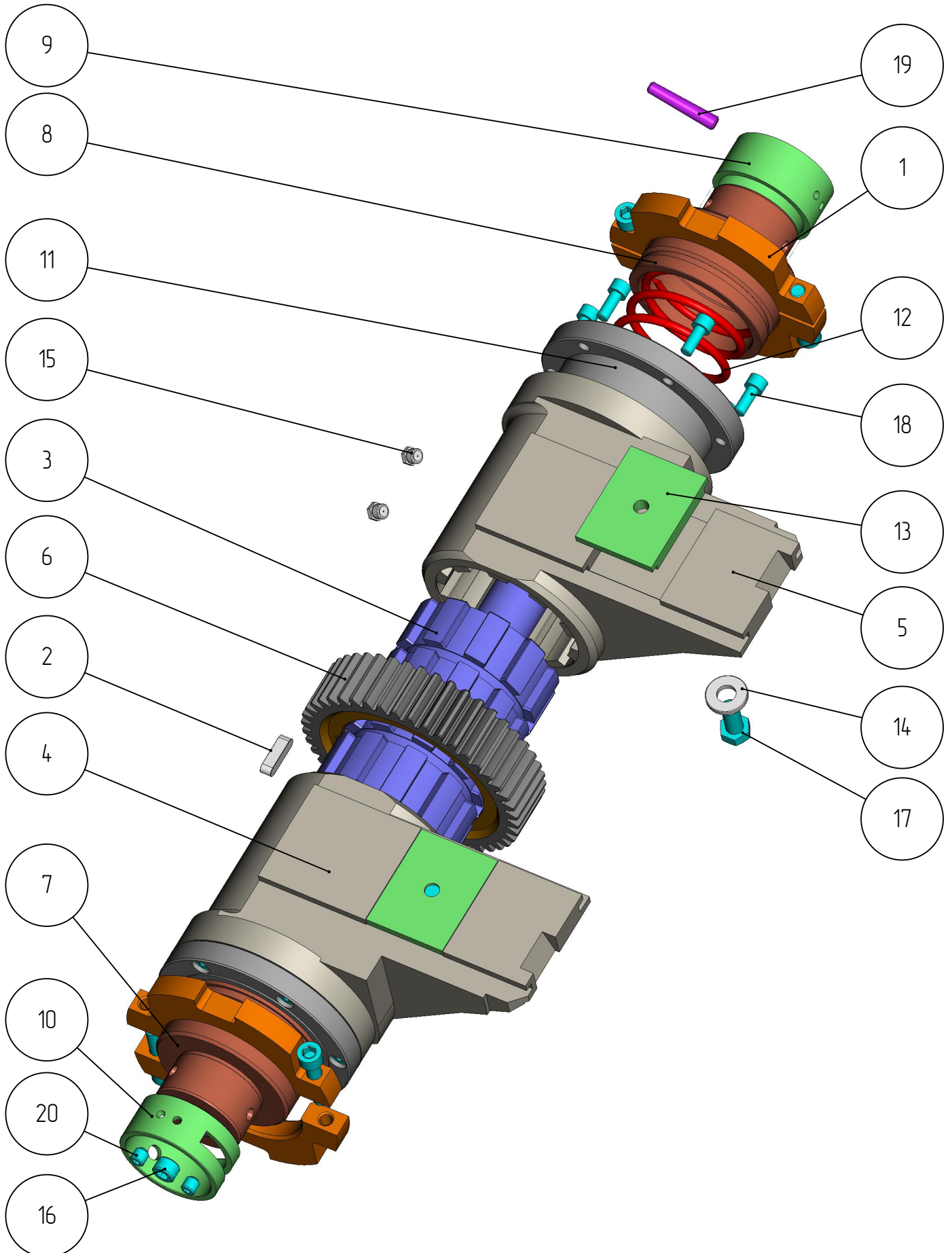


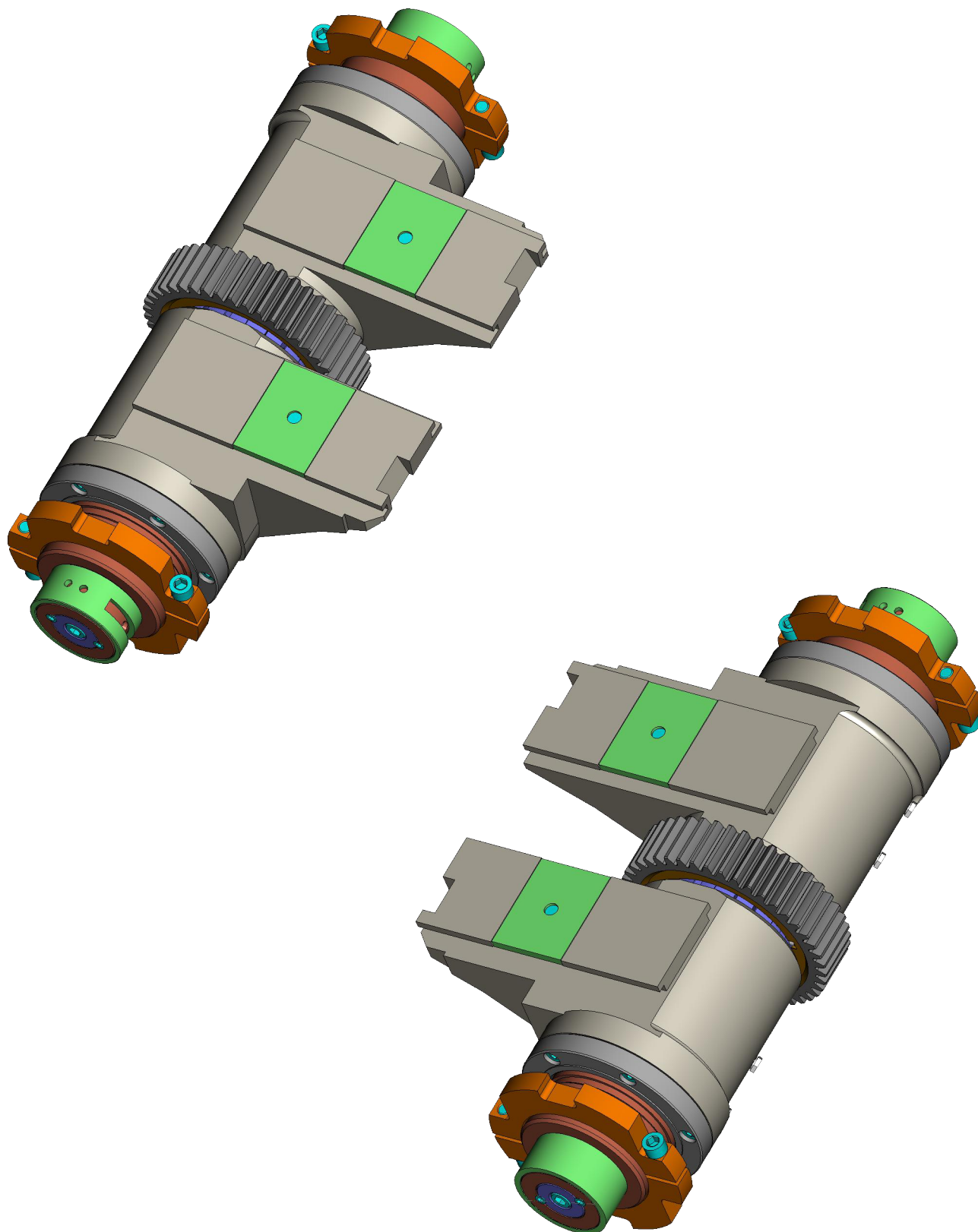
401

*NECK RING MECHANISM*  
*MT-401-003*  
*(AL-401-MT-01)*

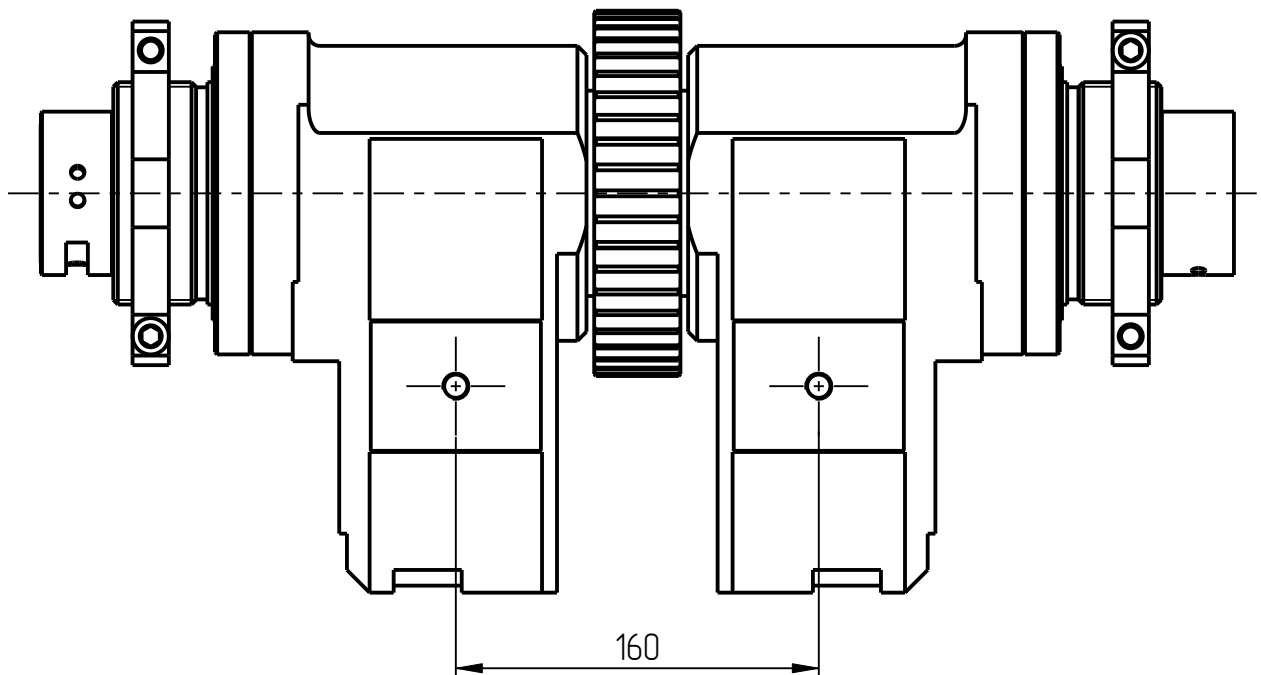
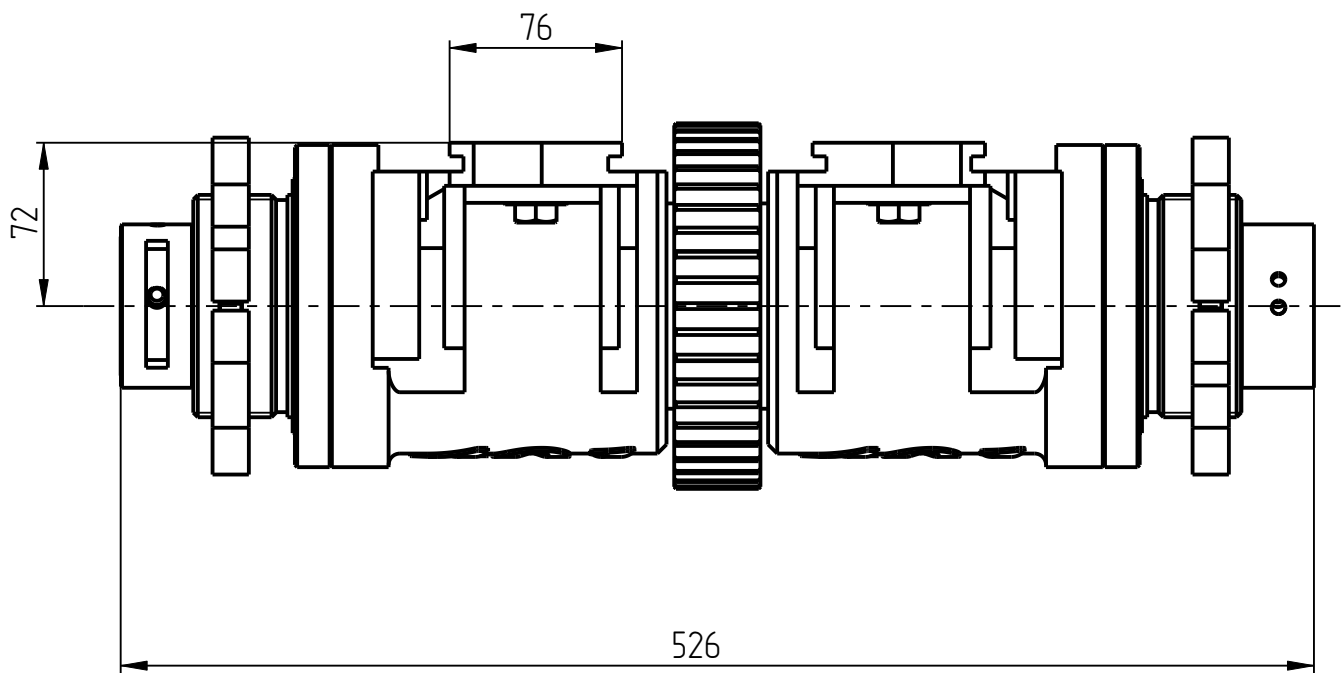
Neck ring mechanism MT-401-003



Neck ring mechanism MT-401-003

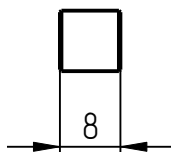
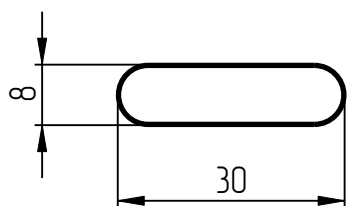


## Neck ring mechanism MT-401-003

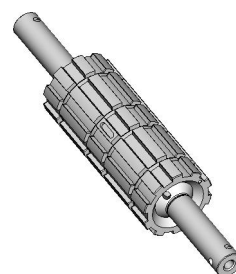
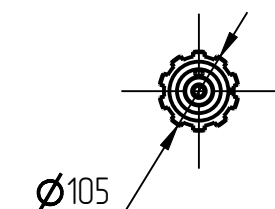
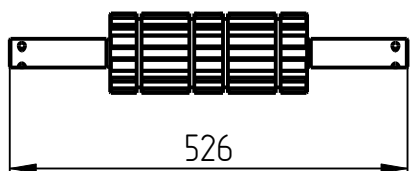


## Neck ring mechanism MT-401-003 Specification

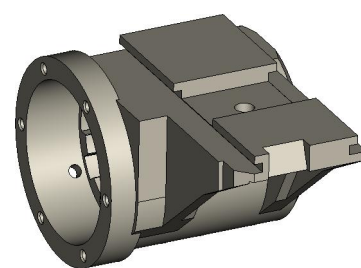
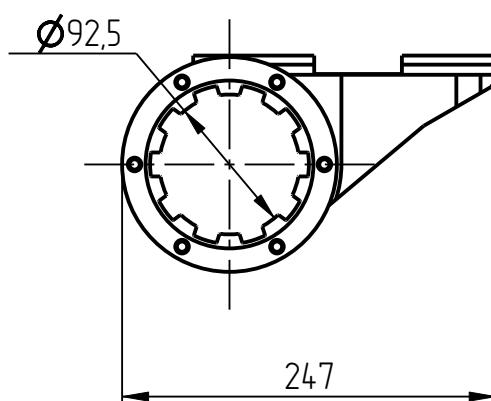
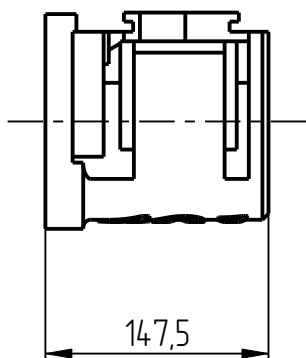
№ pos.	Code	Name	Qty
<b>Assemblies</b>			
1	MT-401-001-008-01	Nut	2
<b>Parts</b>			
2	04600114-03	Key	1
3	MT-401-003-001	Spline shaft	1
4	MT-401-003-002	Cylinder LH	1
5	MT-401-003-002-01	Cylinder RH	1
6	MT-401-003-004	Gear	1
7	MT-401-003-006	Body LH	1
8	MT-401-003-007	Body RH	1
9	MT-401-003-011	Ring	1
10	MT-401-003-011	Ring	1
11	MT-401-001-003	Flange	2
12	MT-401-001-005	Spring	2
13	MT-401-001-009	Holding plate	2
14	MT-401-001-010	Washer	2
<b>Standart parts</b>			
15	Lube nipple DIN_3405_M10X1		4
16	Threaded plug MK16x1,5 DIN 906		2
17	Screw M12x25 DIN 931		2
18	Screw M8x20 DIN 912		12
19	Pin 8x50 DIN 1		2
20	Screw M10x10 DIN 913		4



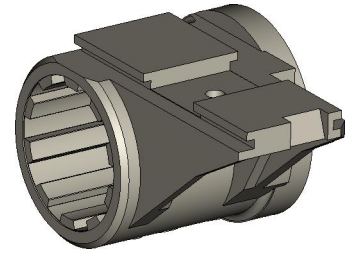
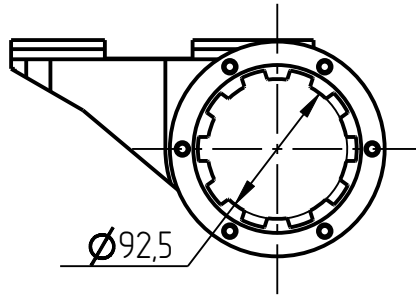
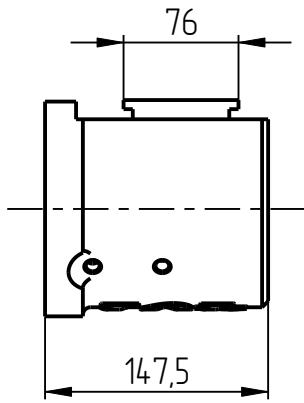
2. Key  
04600114-03



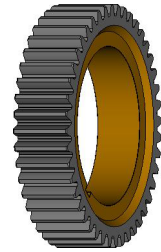
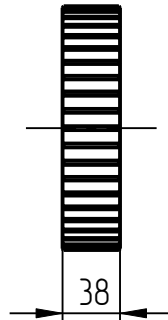
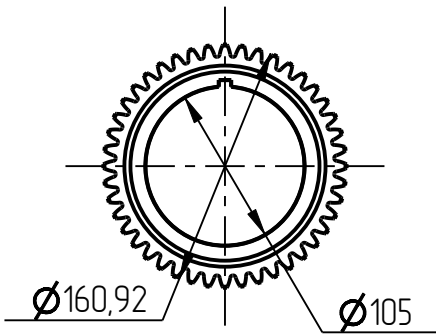
3. Spline shaft  
MT-401-003-001



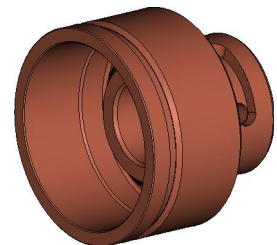
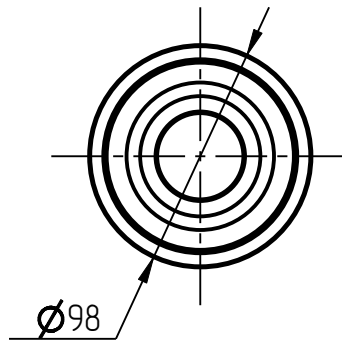
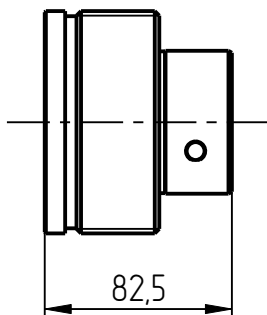
4. Cylinder LH  
MT-401-003-002



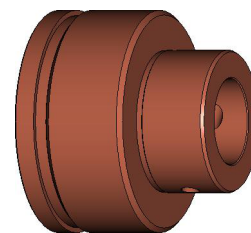
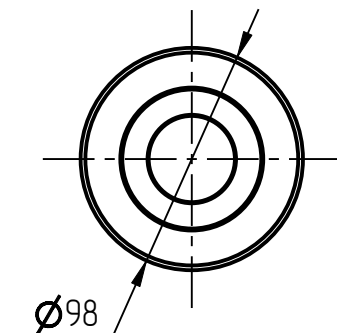
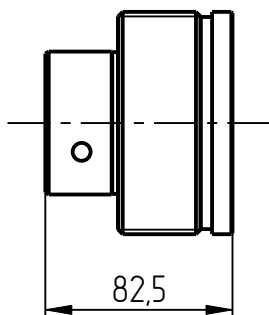
5. Cylinder RH  
MT-401-003-002-01



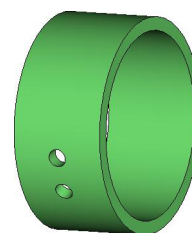
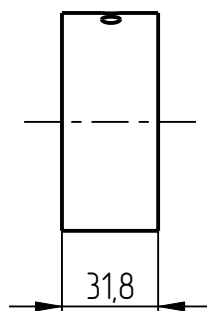
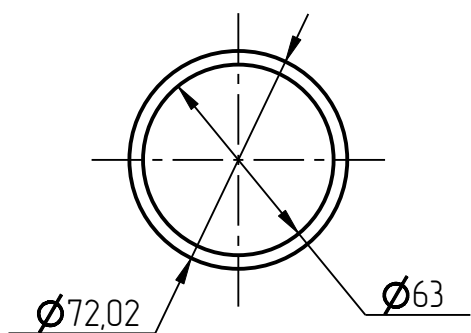
6. Gear  
MT-401-003-004



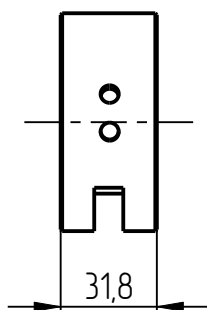
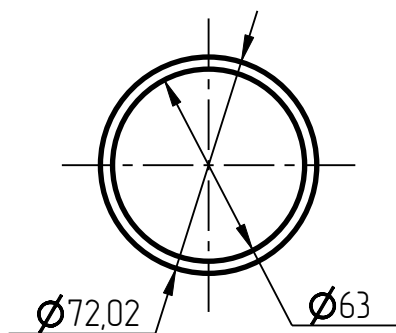
7. Body LH  
AL-401-MT-01-06



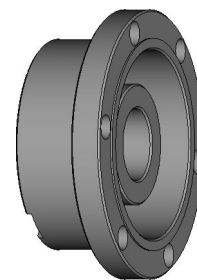
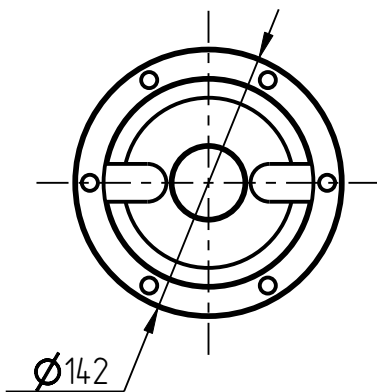
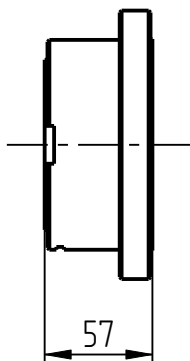
8. Body RH  
AL-401-MT-01-07



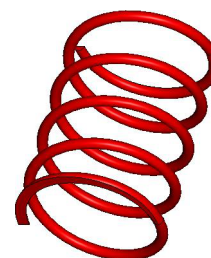
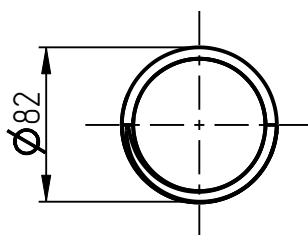
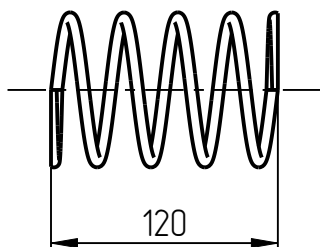
9. Ring  
MT-401-003-011



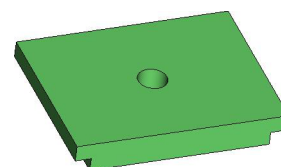
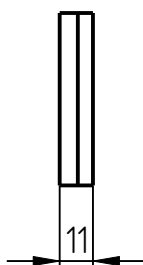
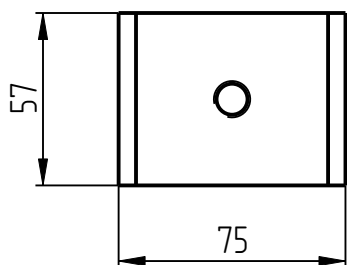
10. Ring  
AL-401-MT-01-12



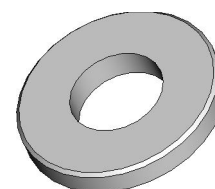
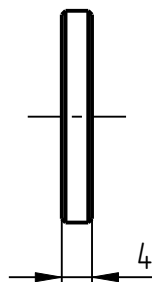
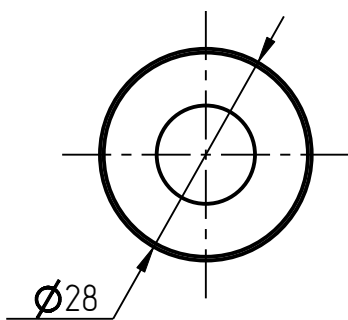
11. Flange  
ПТР-401-МТ-01-03



12. Spring  
МТ-401-001-005



13. Holding plate  
МТ-401-001-009



14. Washer  
МТ-401-001-010