

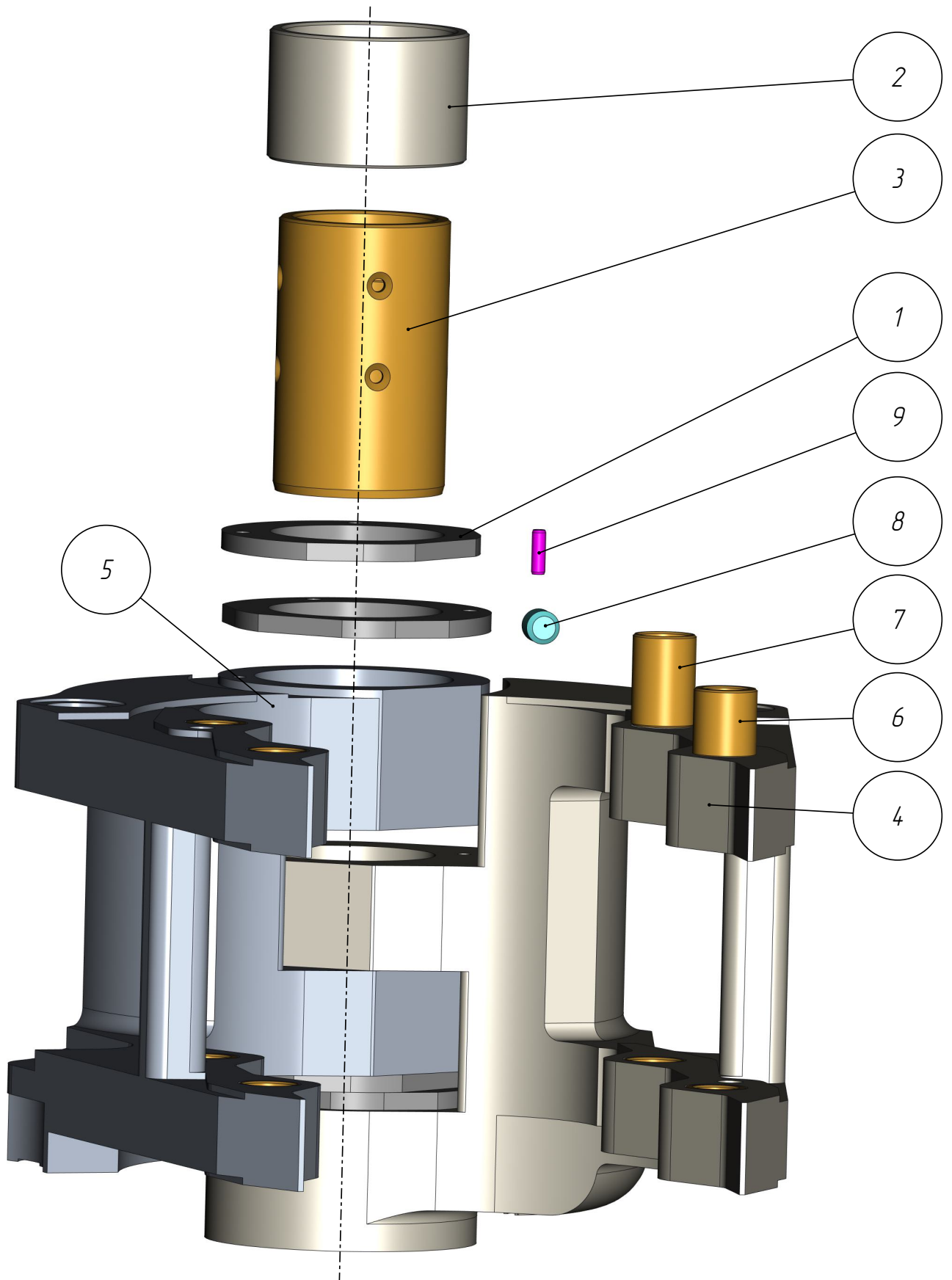
401

DF-401-031

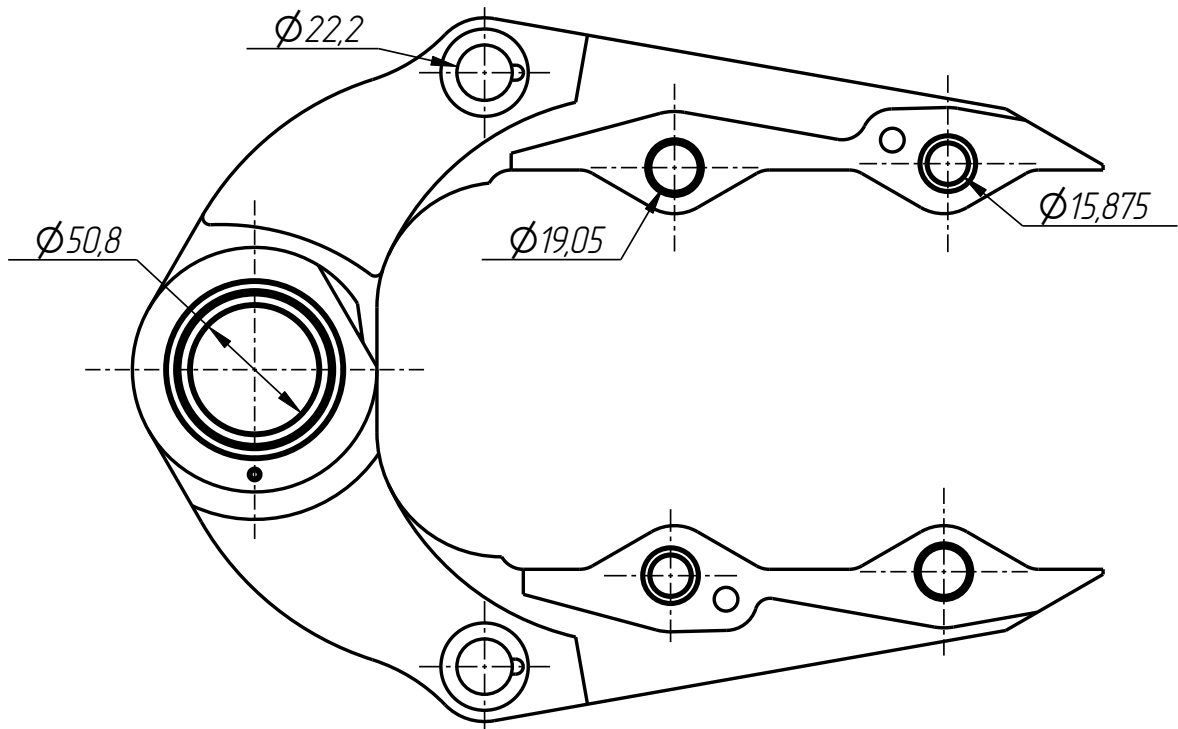
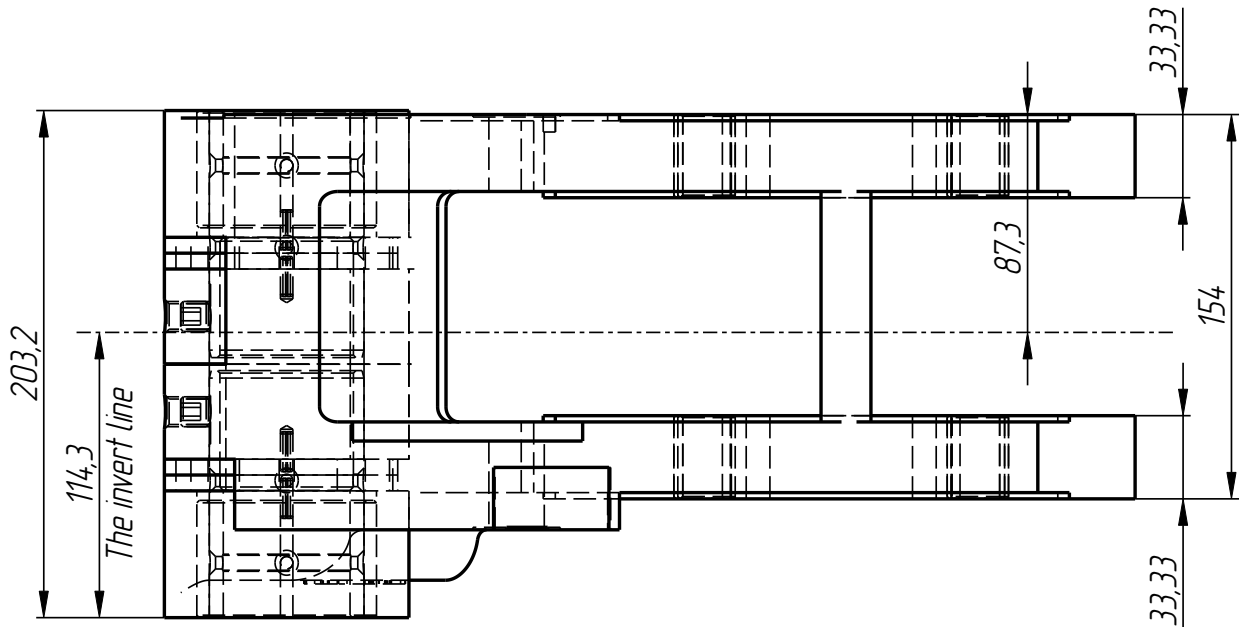
*Form Holder
(A224-626GR1)*

Form Holder
(A224-626GR1)
DF-401-031

401



DF-401-031



DF-401-031

Form Holder
(A224-626GR1)

Specification

<i>Nº pos.</i>	<i>Code</i>	<i>Name</i>	<i>Qty</i>
----------------	-------------	-------------	------------

Parts:

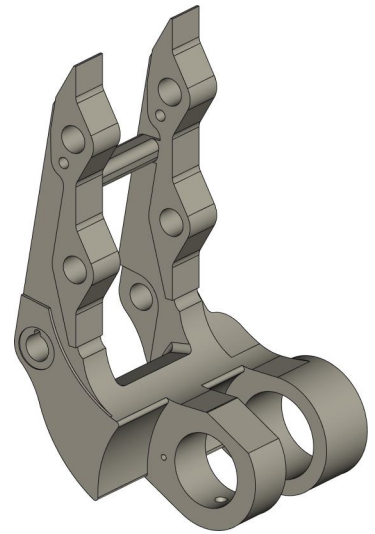
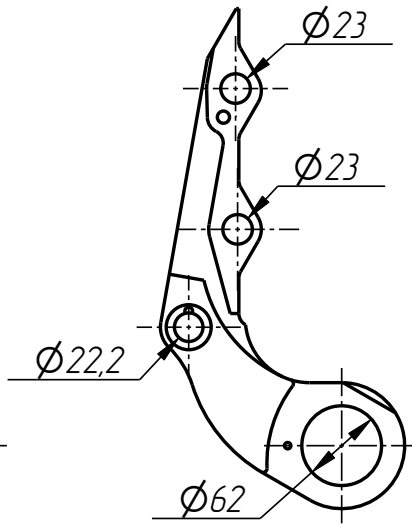
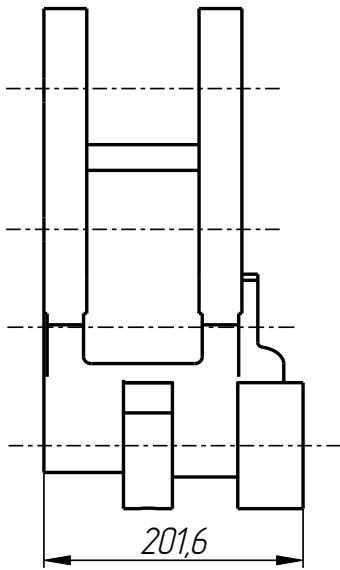
1	DF-401-001-003	Remote washer	4
2	DF-401-001-004	Bushing	2
3	DF-401-001-005	Bushing	2
4	DF-401-031-001	Lower lever	1
5	DF-401-031-002	Upper lever	1
6	DF-401-031-003	Bushing	4
7	DF-401-031-004	Bushing	4

Standard parts:

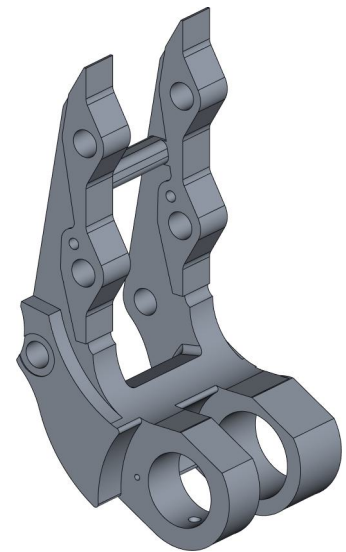
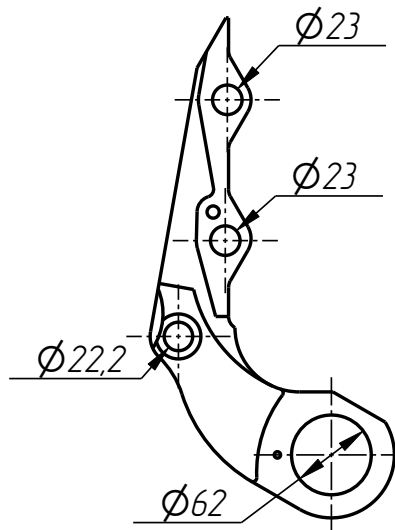
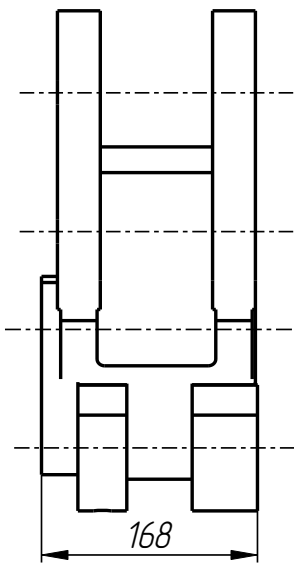
8	Screw M12x12 GOST 11074-93		2
9	Spring pin ϕ 5x16 DIN 1481		4

Form Holder
(A224-626GR1)
DF-401-031

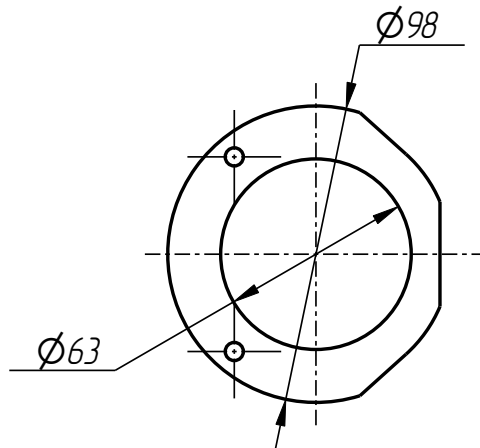
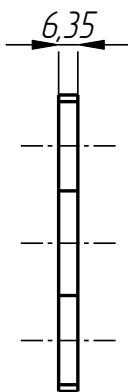
401



Lower lever
DF-401-031-001



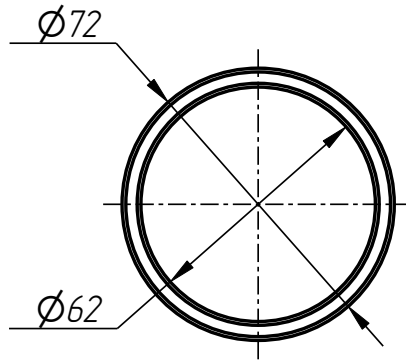
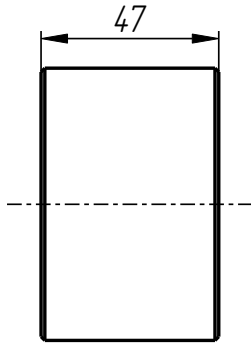
Upper lever
DF-401-031-002



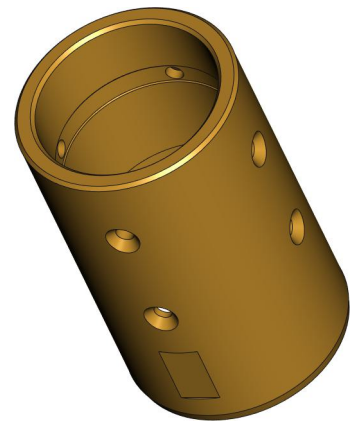
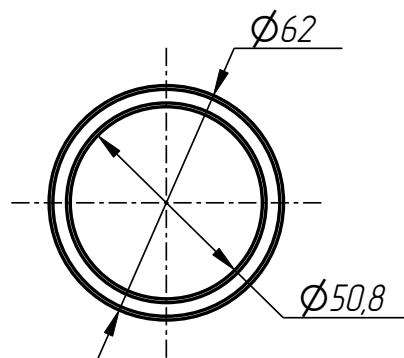
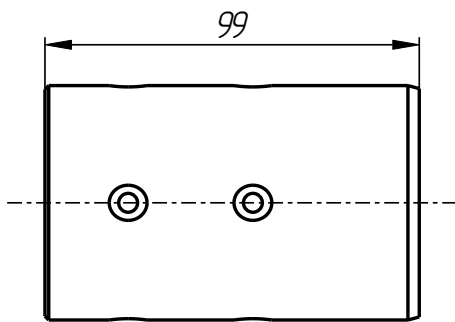
Remote washer
DF-401-001-003

Form Holder
(A224-626GR1)
DF-401-031

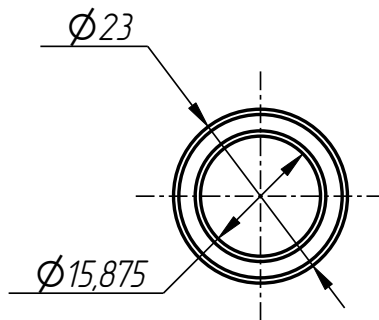
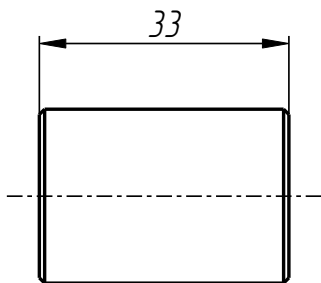
401



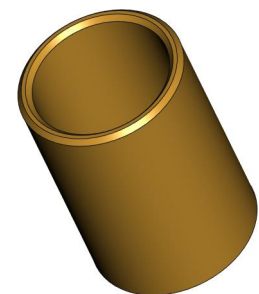
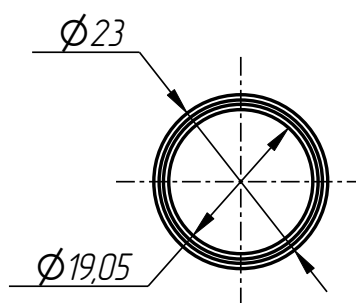
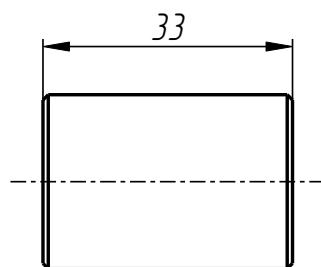
Bushing
DF-401-001-004



Bushing
DF-401-001-005



Bushing
DF-401-031-003



Bushing
DF-401-031-004