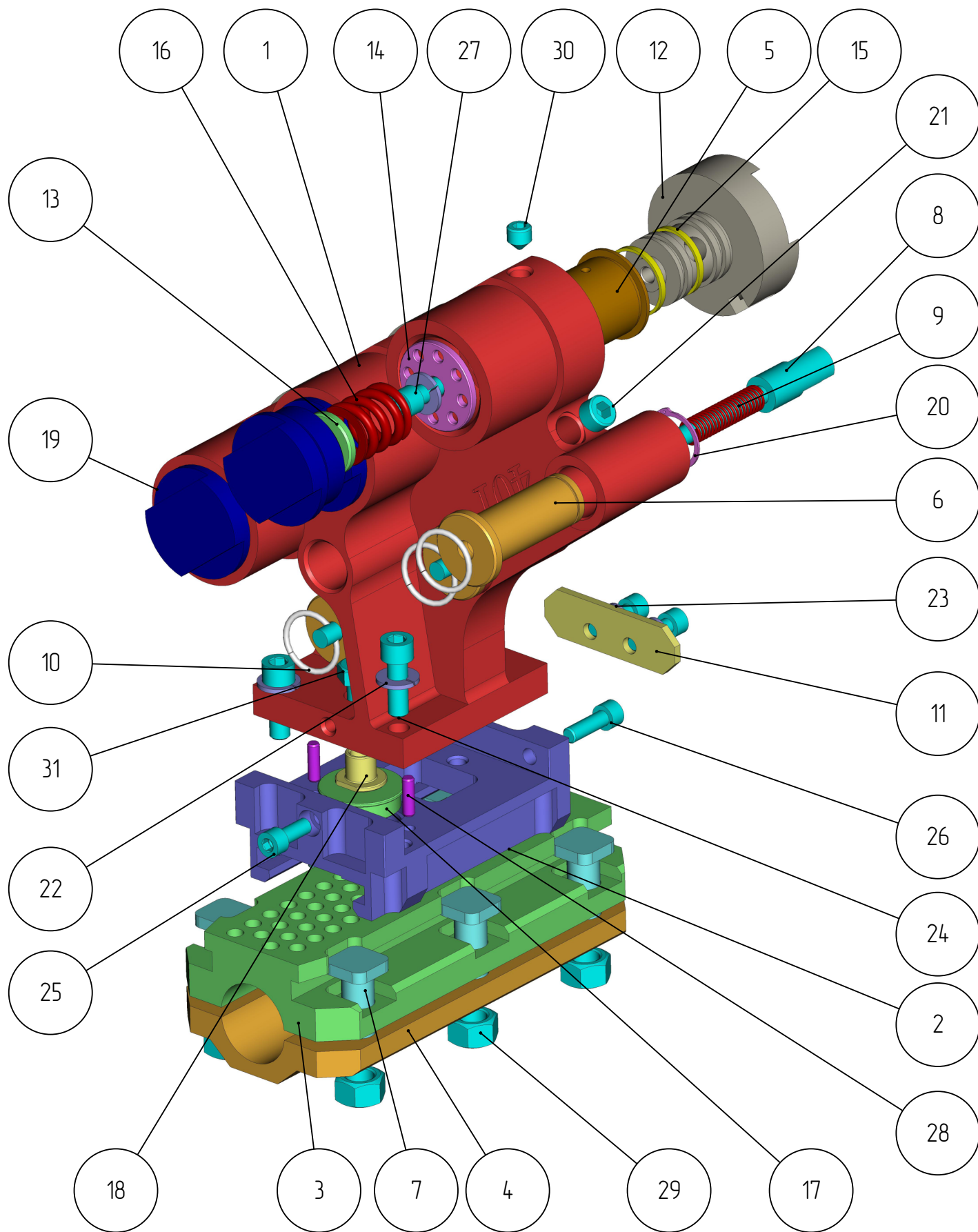


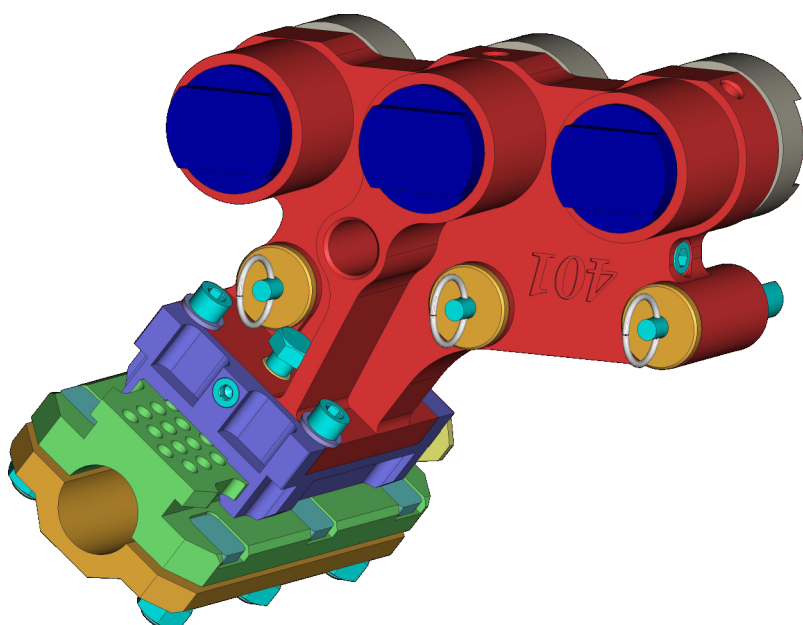
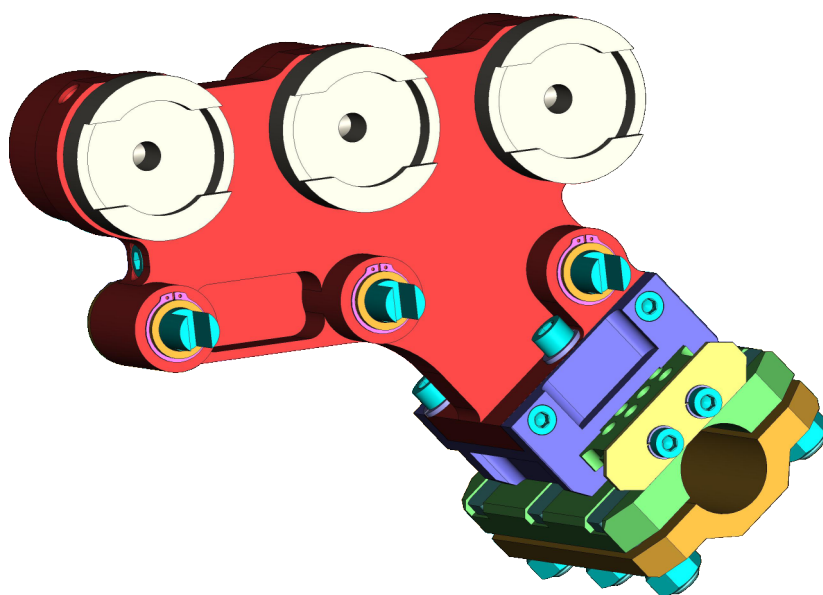
401

*DPG-401-007*  
*BAFFLE HOLDER 7-9/16"*  
*(515-TGZ)*

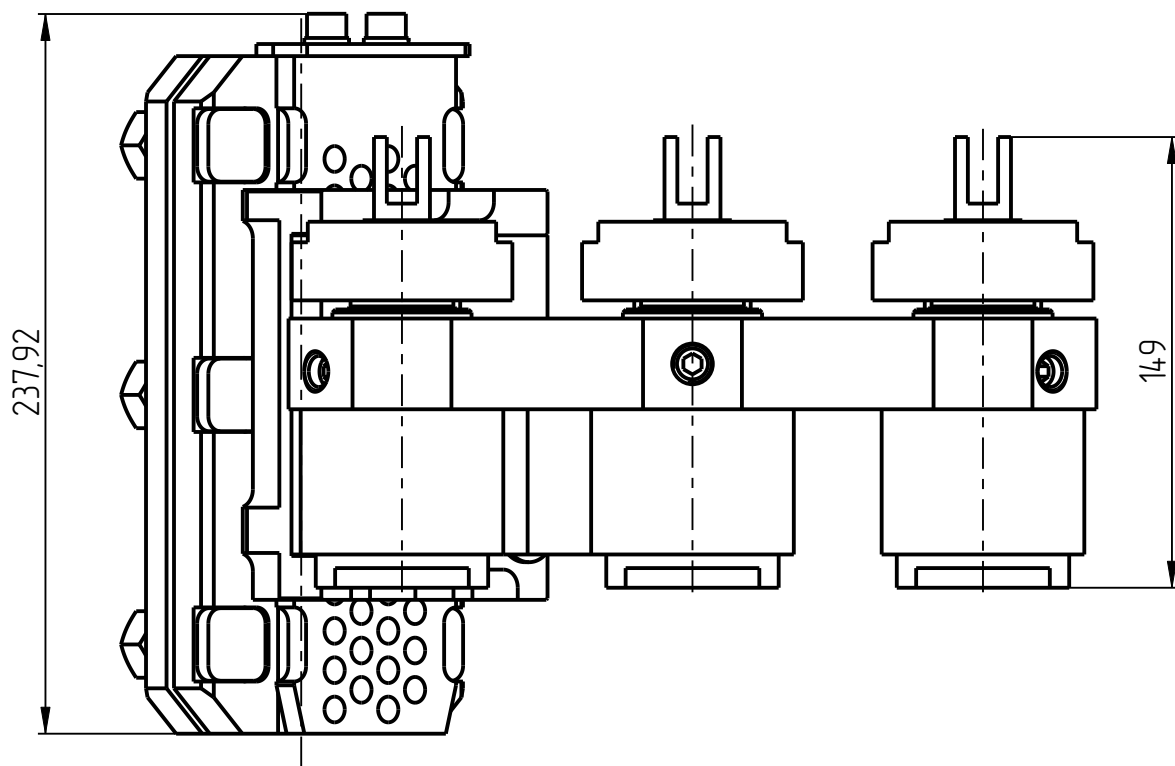
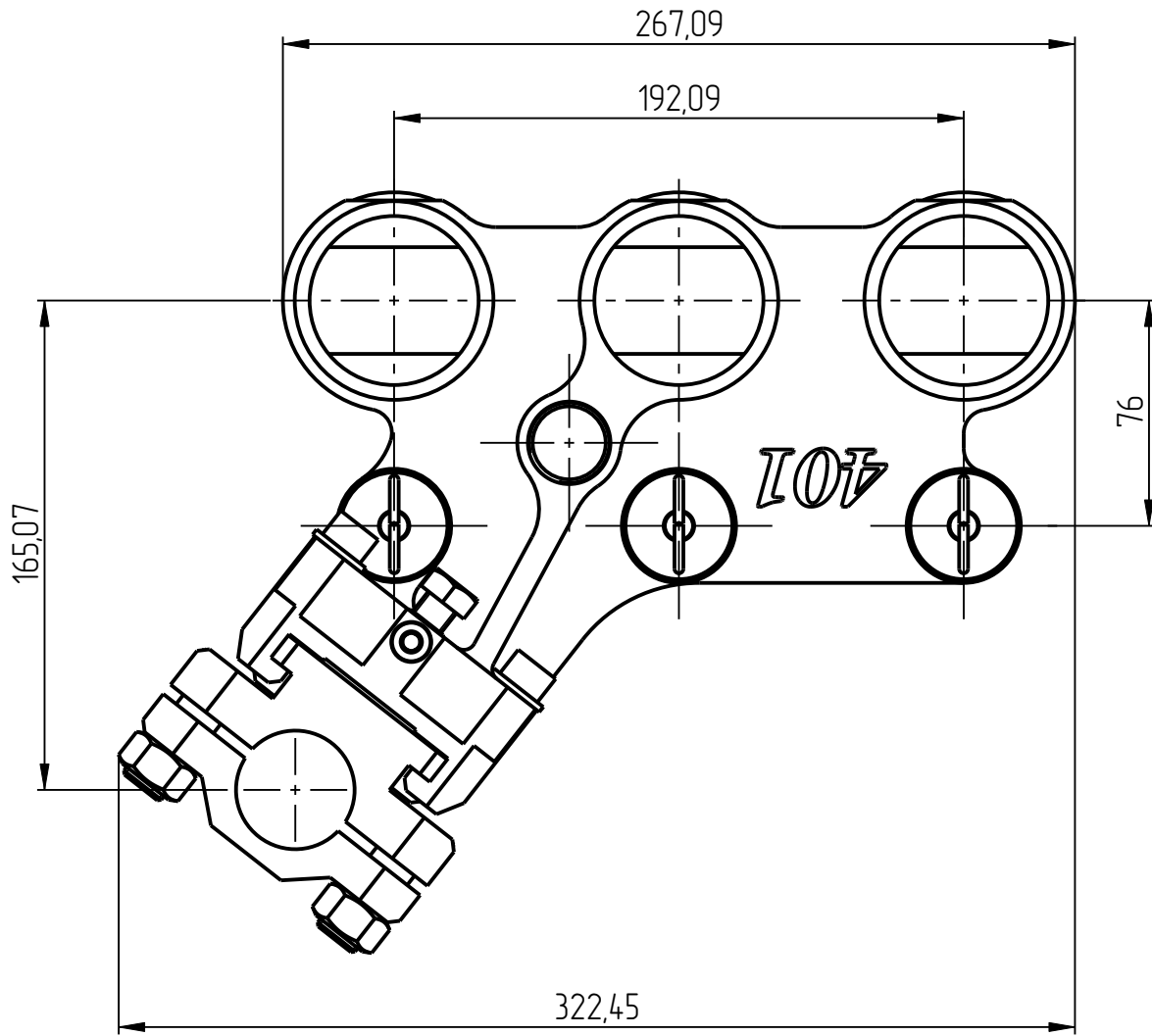
Baffle holder DPG-401-007



Baffle holder DPG-401-007

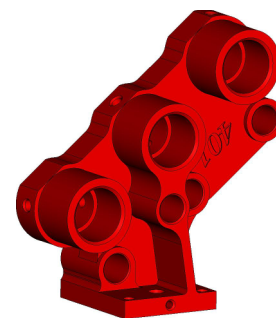
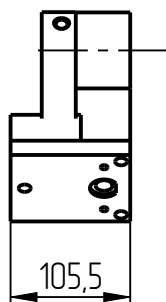
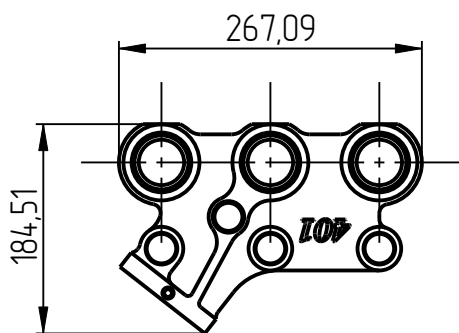


Baffle holder DPG-401-007

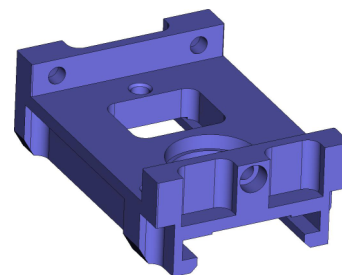
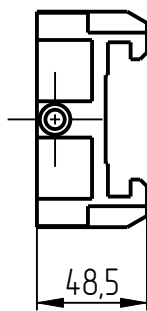
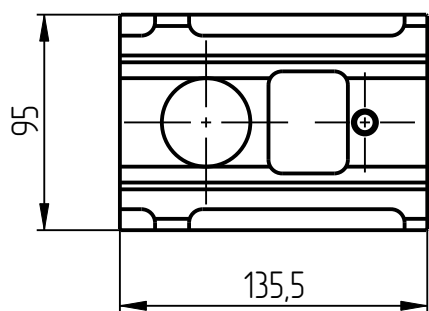


## Baffle holder DPG-401-007 Specification

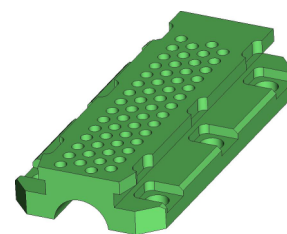
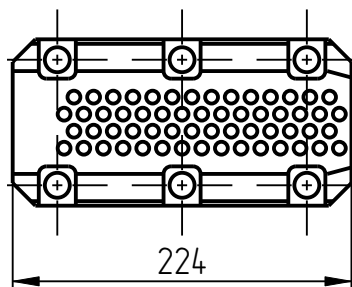
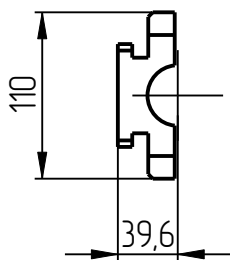
№ pos.	Code	Name	Qty
<b>Parts</b>			
1	DPG-401-007-001	Main body	1
2	DPG-401-007-002	Support	1
3	DPG-401-007-003	Holder	1
4	DPG-401-007-004	Holder	1
5	DPG-401-007-005	Bushing	3
6	DPG-401-007-006	Bushing	3
7	DPG-401-007-007	Screw	6
8	DPG-401-007-008	Position pin	3
9	DPG-401-007-009	Spring	3
10	DPG-401-007-011	Ring	3
11	DPG-401-007-012	Stop	1
12	DPG-401-007-013	Baffle lock ring	3
13	DPG-401-007-014	Washer	3
14	KDG-D-U-46X4-401	Thrust washer	3
15	KDG-K-P-401	Piston ring	6
16	KDG-P-30X35-401	Spring	3
17	KDG-SHU-401	Thrust washer	1
18	KDG-V6-401	Bushing	1
19	KDG-Z-2D-8N-401	Retainer 2"- 8	3
<b>Standard parts</b>			
20	Retaining ring A26 DIN 471		3
21	Threaded plug MK16x1,5 DIN 906		1
22	Spring washer B10-A4 DIN 127		6
23	Spring washer B8-A4 DIN 127		2
24	Screw DIN 912-M10x30		3
25	Screw DIN 912-M8x20		1
26	Screw DIN 912-M8x25		4
27	Screw DIN 912-UNC3/8"-16x3/4"		3
28	Pin 6Γx20 DIN 6325		2
29	Nut M16 DIN 934		6
30	Screw M12x12 DIN 914		3
31	Hexagon head screw M12x25 DIN 933		1



1. Main body  
DPG-401-007-001

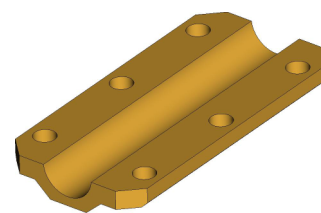
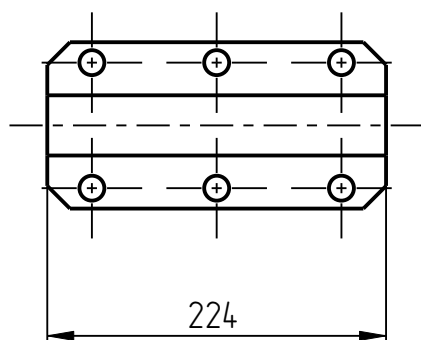
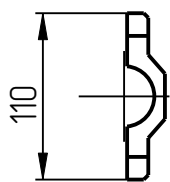


2. Support  
DPG-401-007-002

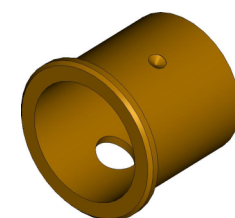
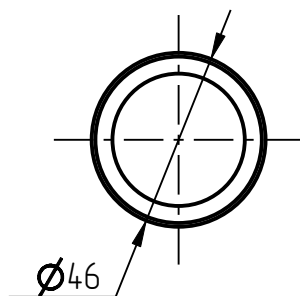
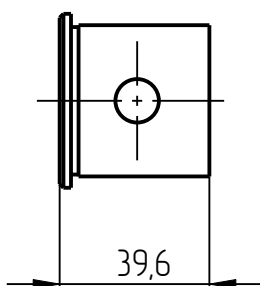


3. Holder  
DPG-401-007-003

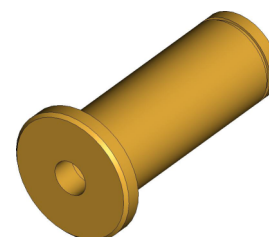
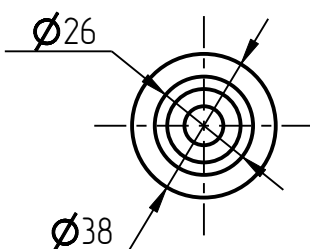
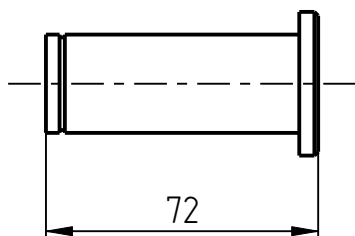
401



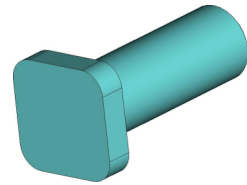
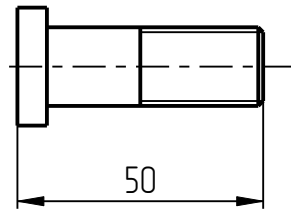
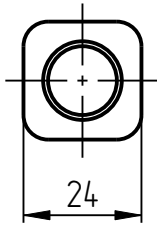
4. Support  
DPG-401-007-004



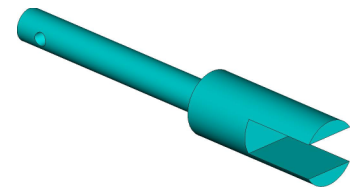
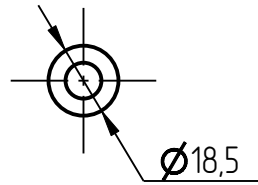
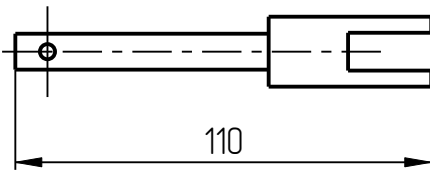
5. Bushing  
DPG-401-007-005



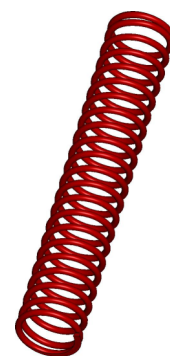
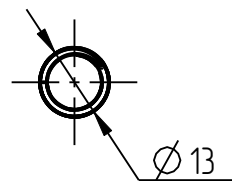
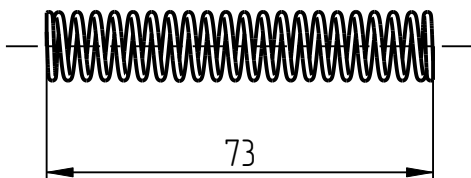
6. Bushing  
DPG-401-007-006



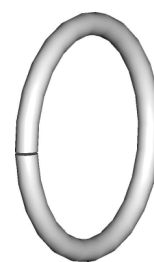
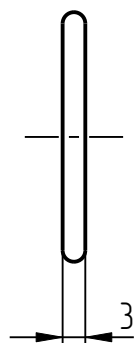
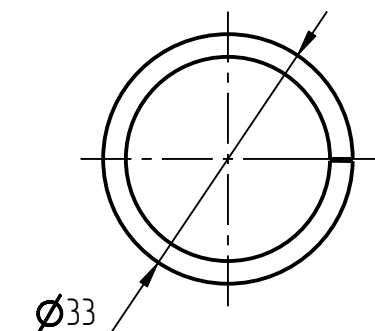
7. Screw  
DPG-401-007-007



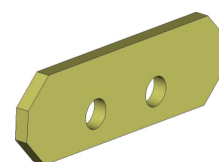
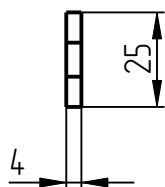
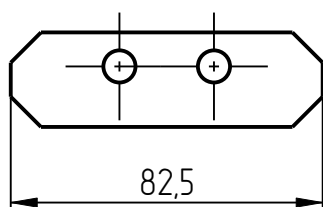
8. Position pin  
DPG-401-007-008



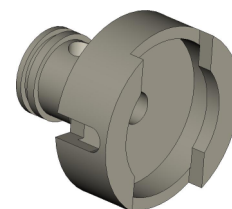
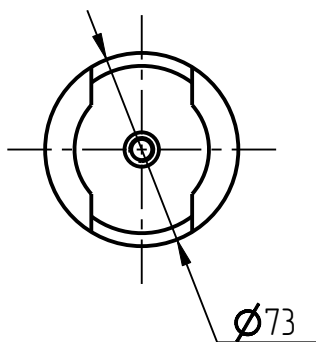
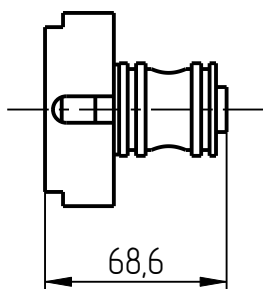
9. Spring  
DPG-401-007-009



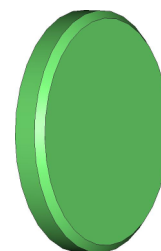
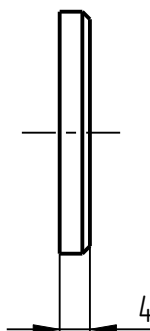
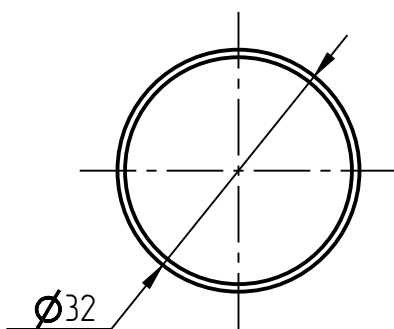
10. Ring  
DPG-401-007-011



11. Stop  
DPG-401-007-012



12. Baffle lock ring  
DPG-401-007-013



13. Washer  
DPG-401-007-014