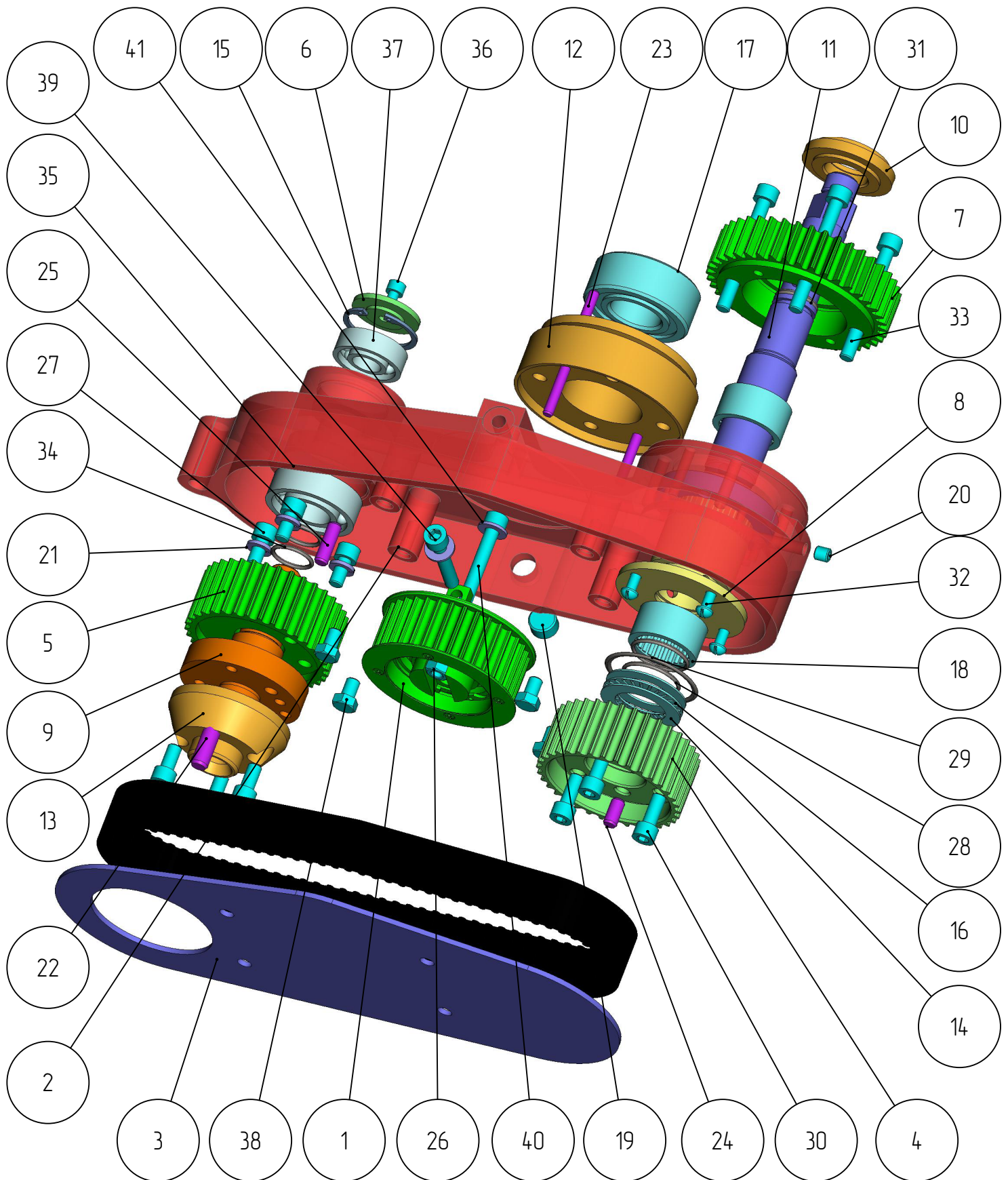


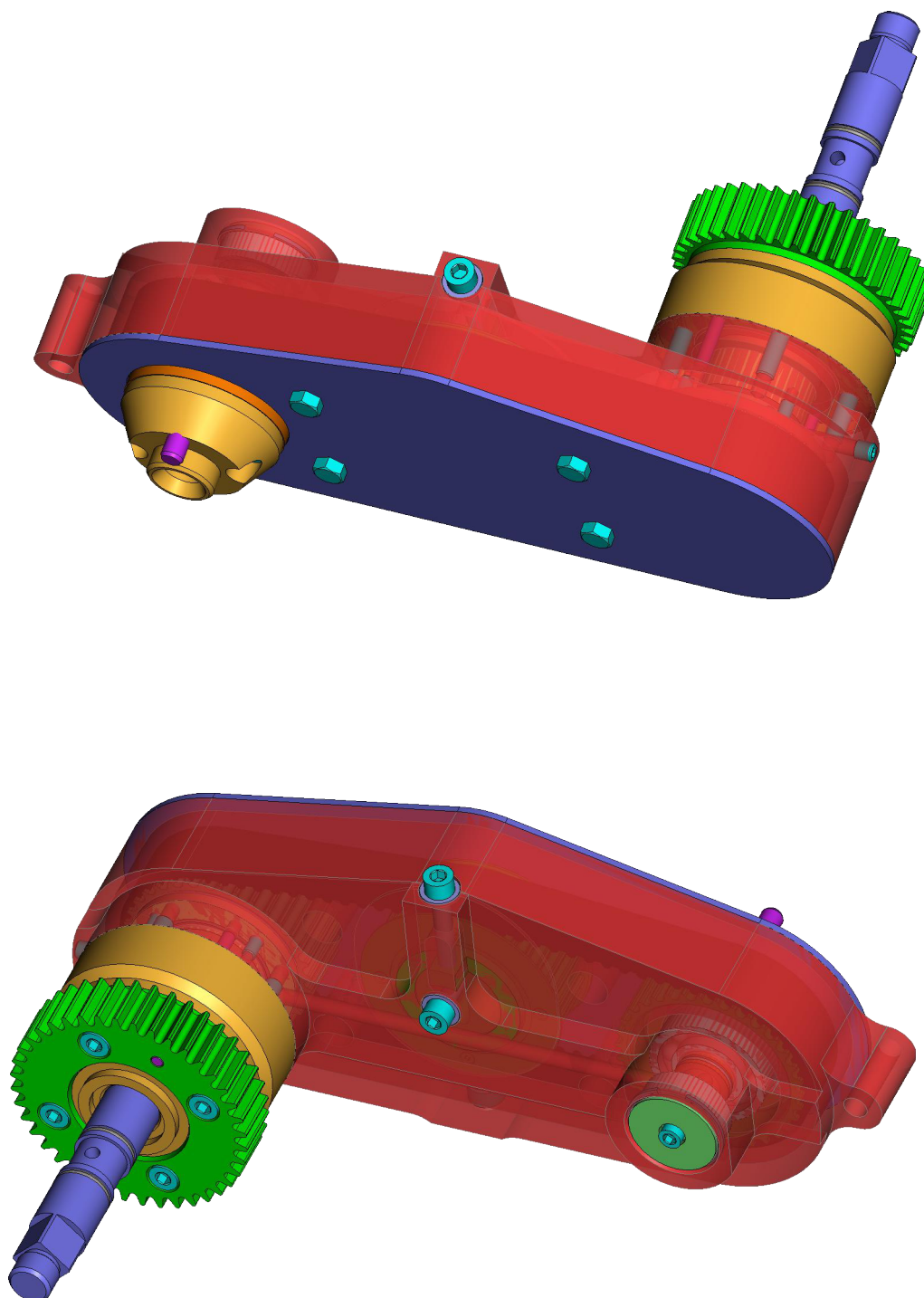
# 401

*RD-401-004*  
*TAKE OUT ARM*  
*(EM-401-200-512)*

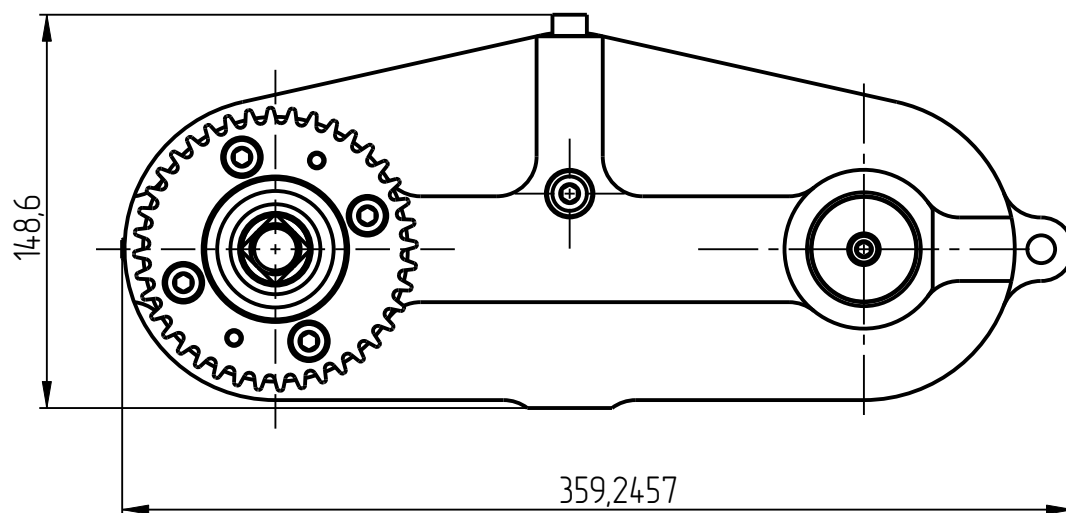
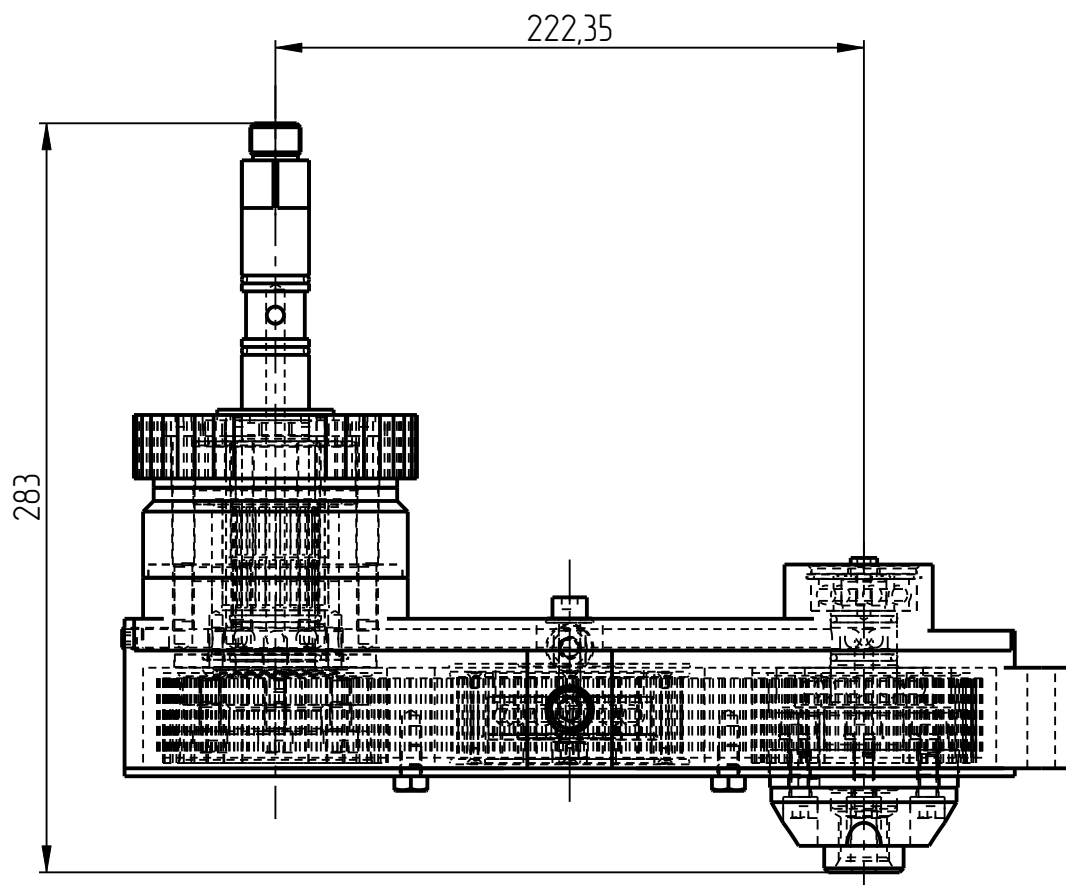
## Take out arm RD-401-004



Take out arm RD-401-004

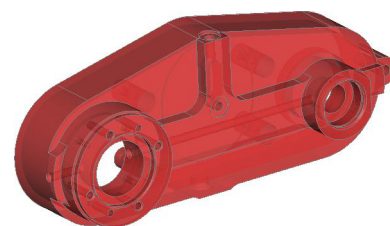
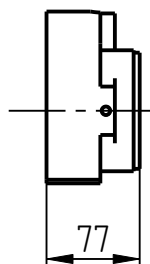
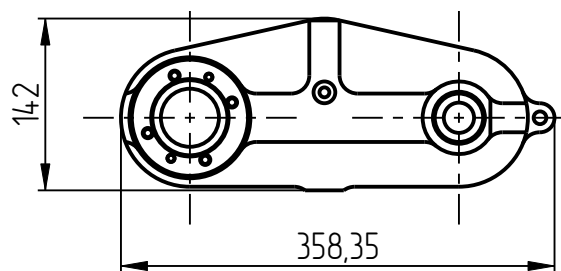


Take out arm RD-401-004

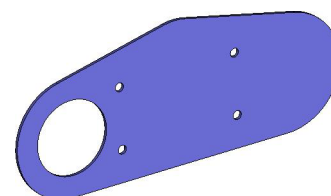
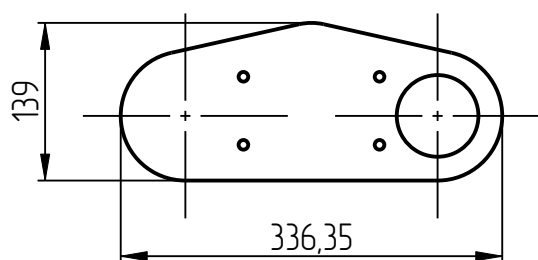


## Take out arm RD-401-004 Specification

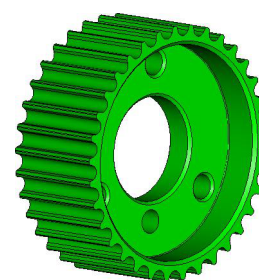
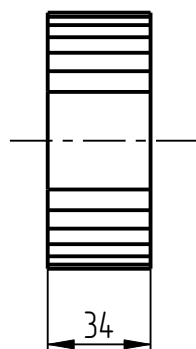
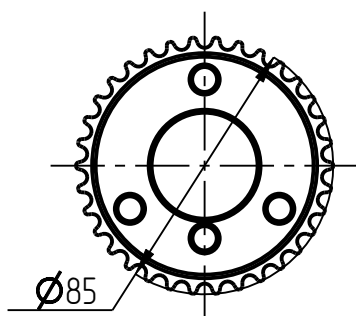
№ pos.	Code	Name	Qty
<b>Assemblies</b>			
1	RD-401-004-005	Pulley	1
<b>Parts</b>			
2	RD-401-004-001	Housing	1
3	RD-401-004-002	Cover	1
4	RD-401-004-003	Pulley Z=34	1
5	RD-401-004-004	Pulley Z=34	1
6	RD-401-004-006	Washer	1
7	RD-401-004-007	Gear Z=40	1
8	RD-401-004-008	Bushing	1
9	RD-401-004-009	Pinion shaft	1
10	RD-401-004-010	Space washer	1
11	RD-401-004-011	Pinion shaft	1
12	RD-401-004-012	Extension	1
13	RD-401-001-016	Con. washer	1
<b>Standard parts</b>			
14	Ring AS 30-47		2
15	Retaining ring 40 DIN 472		1
16	Nail bearing AXK_30-47		1
17	Ball bearing 3056206ZZ		1
18	Nail bearing NK30_20		2
19	Threaded plug MK16x1,5 DIN 906		1
20	Threaded plug MK8x1 DIN 906		1
21	Spring washer B8-A4 DIN 127		3
22	Pin 10Гx25 DIN 6325		1
23	Pin 6Гx80 DIN 6325		2
24	Pin 8Гx16 DIN 6325		1
25	Pin 8Гx25 DIN 6325		1
26	Nut M8 DIN 431		1
27	Screw M8x16 DIN 912		6
28	O-ring 030-034-25-1-7 GOST 18829-73		2
29	O-ring 048-054-36-1-7 GOST 18829-73		1
30	Screw M8x20 DIN 912		3
31	O-ring 022-026-25-1-7 GOST 18829-73		2
32	Screw M6x14 GOST 17473-80		4
33	Screw M8x70 DIN 912		4
34	O-ring 021-025-25-1-7 GOST 18829-73		2
35	Ball bearing 205 GOST 8338-75		1
36	Screw M6x12 DIN 912		1
37	Ball bearing 203 GOST 8338-75		1
38	Screw M8x12 DIN 933		4
39	Screw M8x50 DIN 912		1
40	Screw M8x55 DIN 912		1
41	Washer 8 DIN 125		2



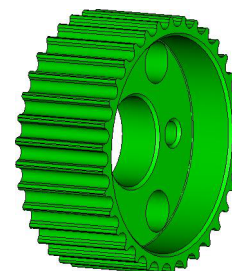
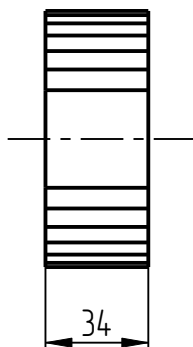
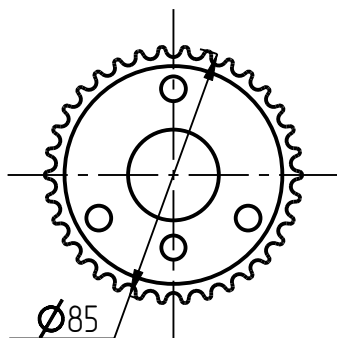
2. Housing  
RD-401-004-001



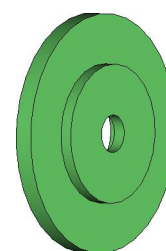
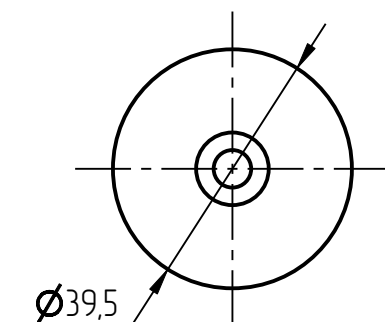
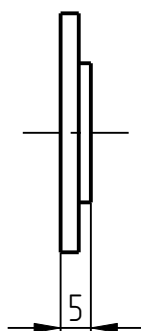
3. Cover  
RD-401-004-002



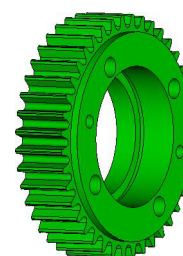
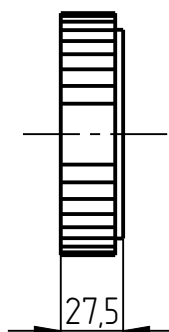
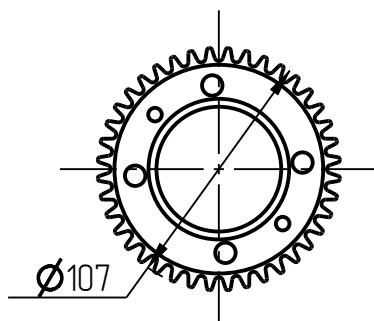
4. Pulley Z=34  
RD-401-004-003



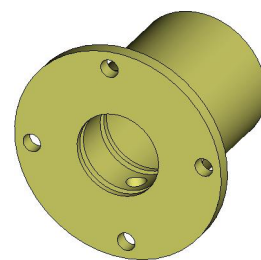
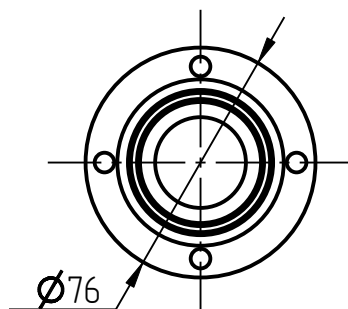
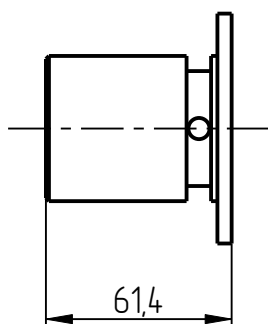
5. Pulley Z=34  
RD-401-004-004



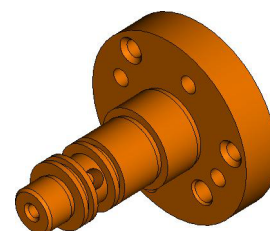
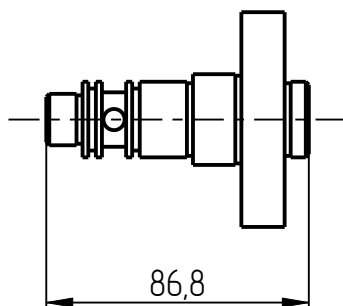
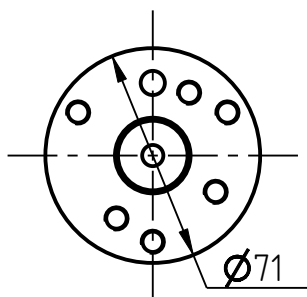
6. Washer  
RD-401-004-006



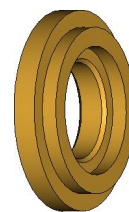
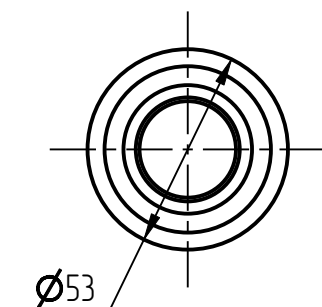
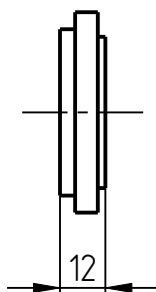
7. Gear Z=40  
RD-401-004-007



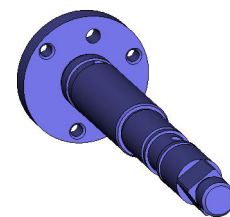
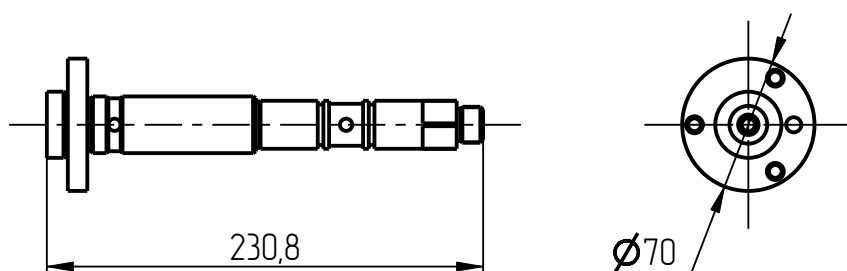
8. Bushing  
RD-401-004-008



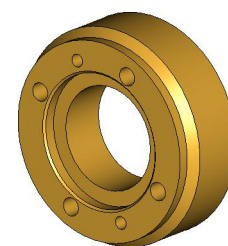
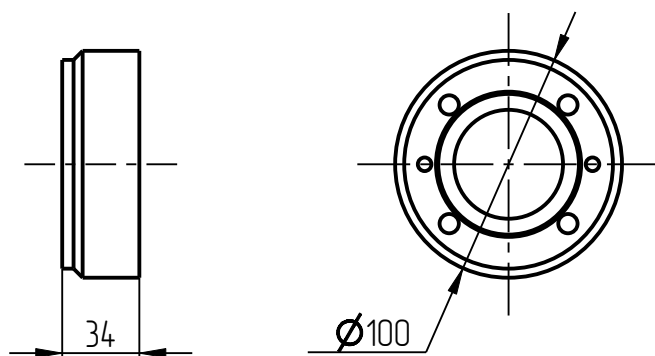
9. Pinion shaft  
RD-401-004-009



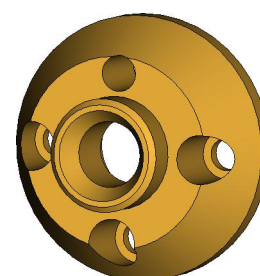
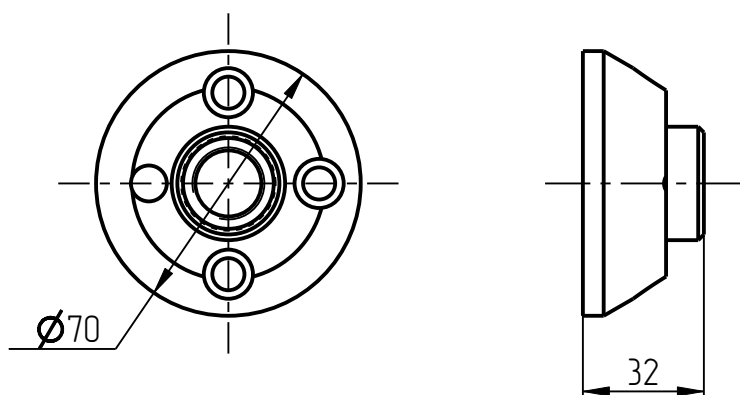
10. Space washer  
RD-401-004-010



11. Pinion shaft  
RD-401-004-011



12. Extension  
RD-401-004-012



13. Con. washer  
RD-401-001-016