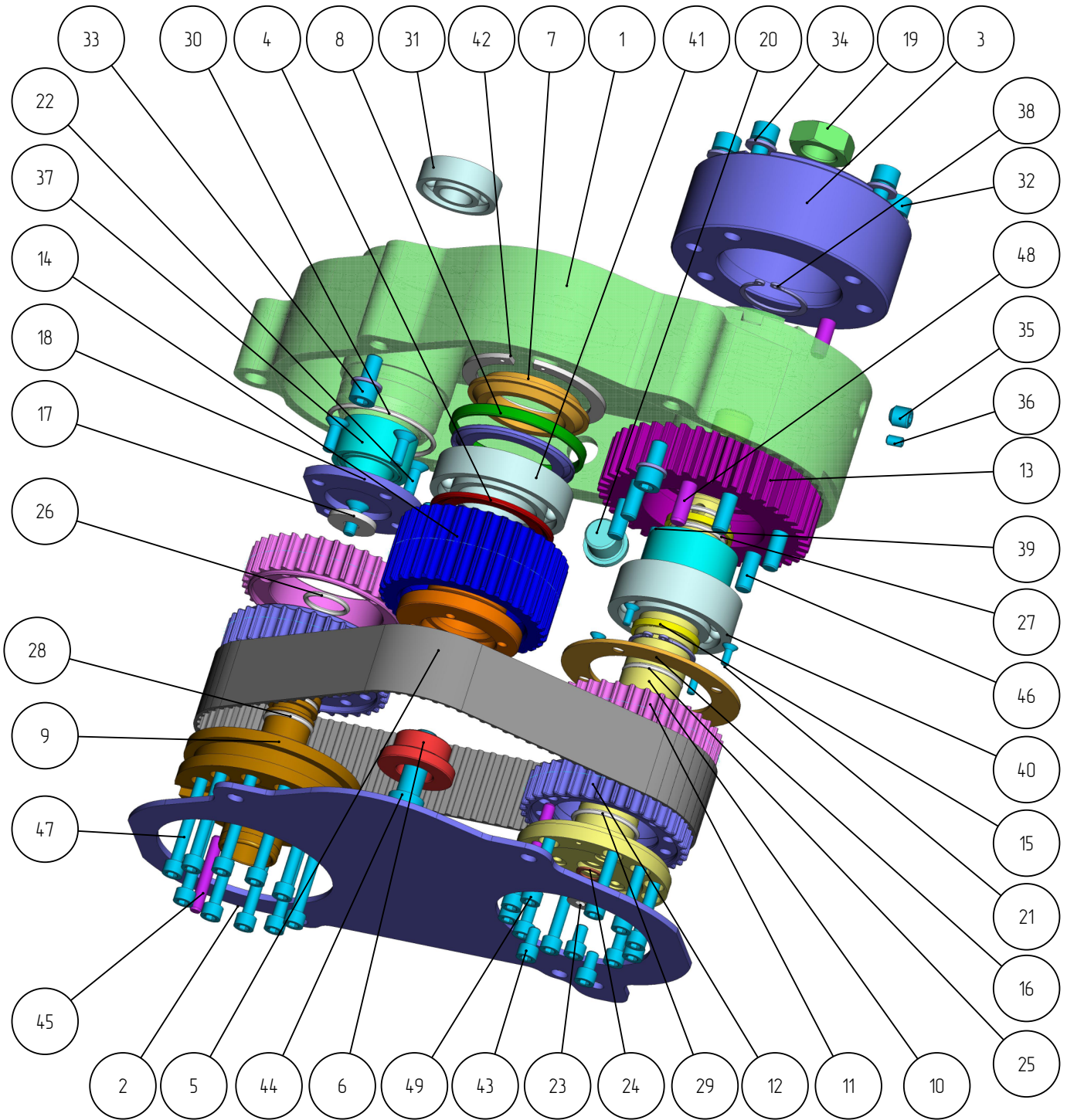


401

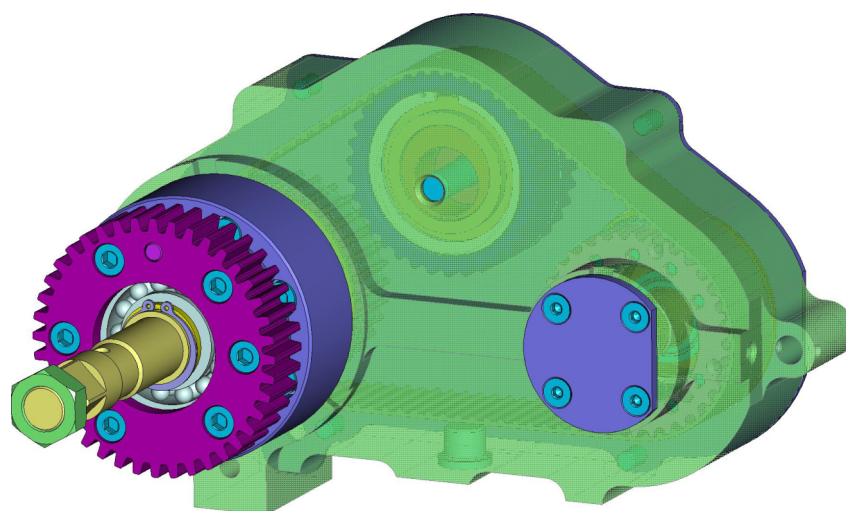
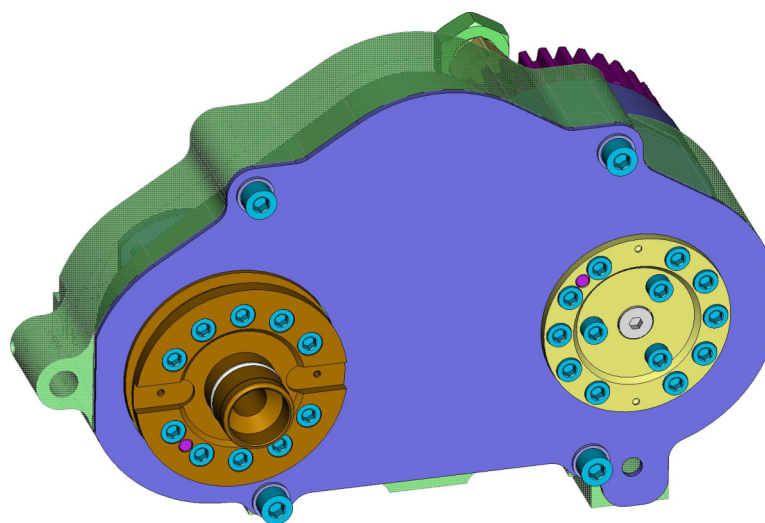
RD-401-002
TAKE OUT ARM 5"
(AX57-19-08)

Take out arm 5" RD-401-002

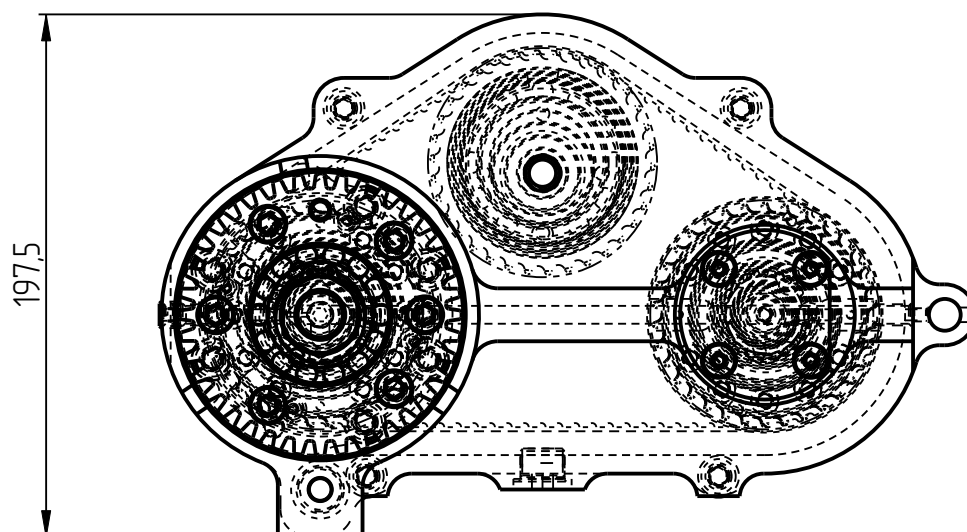
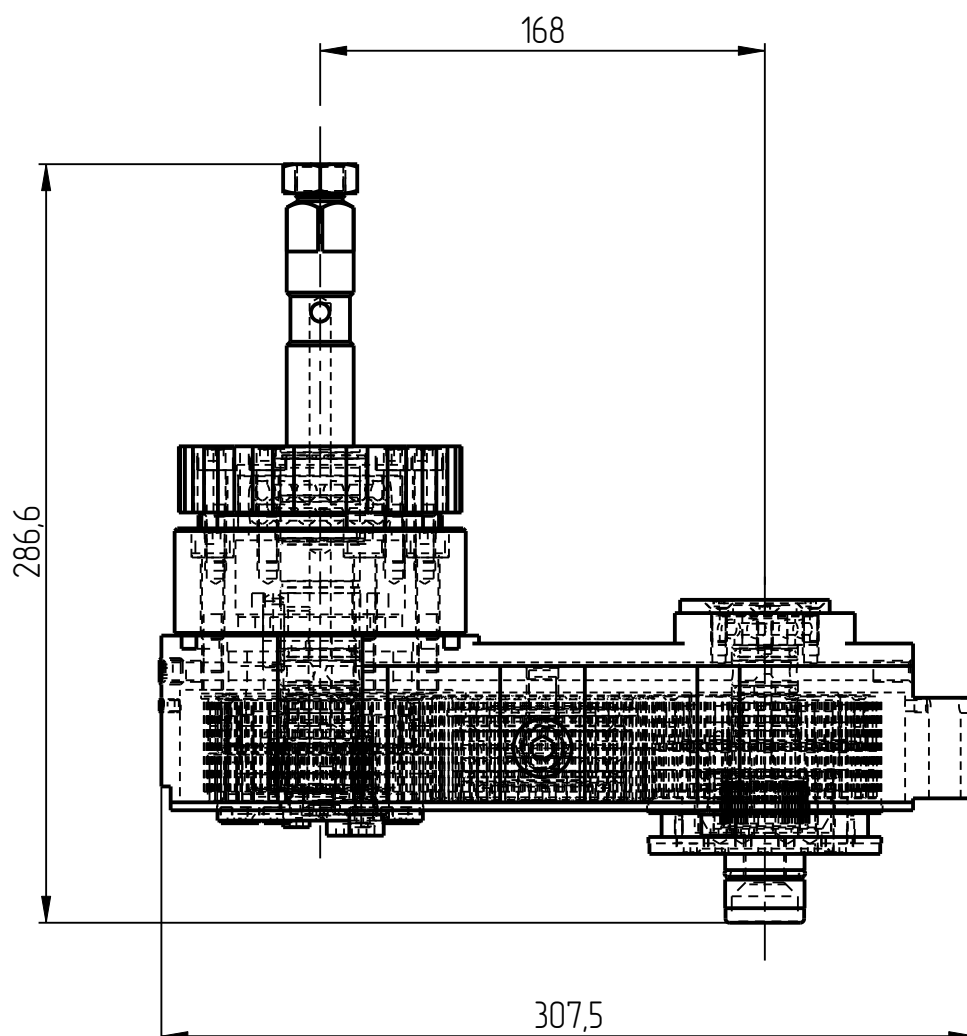


Take out arm 5"

RD-401-002



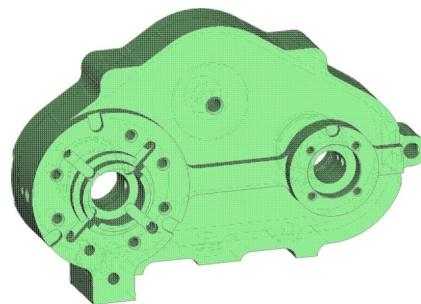
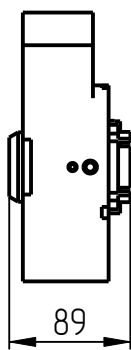
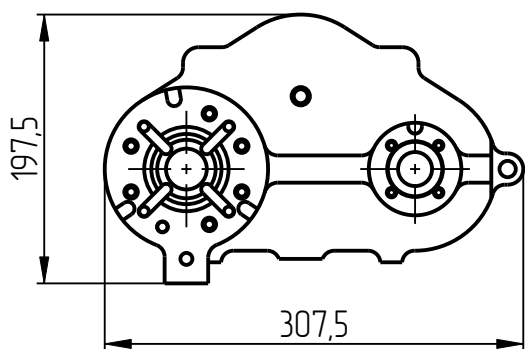
Take out arm
Редуктор 5"



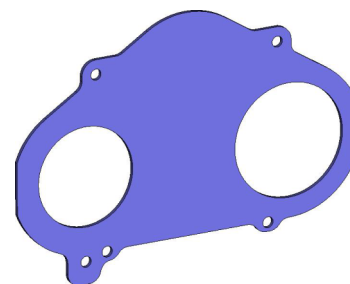
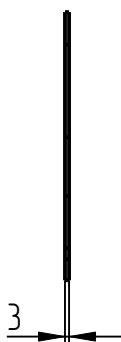
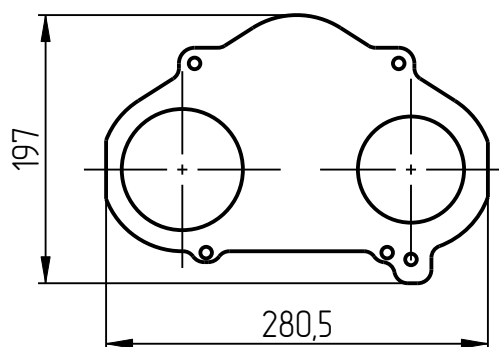
Take out arm 5" RD-401-002 Specification

№ pos.	Code	Name	Qty
Parts			
1	RD-401-002-001	Housing	1
2	RD-401-002-002	Cover	1
3	RD-401-002-003	Flange	1
4	RD-401-002-004	Bearing cup	2
5	RD-401-002-005	Eccentric	1
6	RD-401-002-006	Bushing	1
7	RD-401-002-007	Washer	1
8	RD-401-002-008	Washer	1
9	RD-401-002-009	Pinion shaft	1
10	RD-401-002-010	Pinion shaft	1
11	RD-401-002-011	Pulley	2
12	RD-401-002-012	Pulley	2
13	RD-401-002-013	Gear z=40	1
14	RD-401-002-014	Pulley	1
15	RD-401-002-015	Spacer	2
16	RD-401-002-016	Washer	1
17	RD-401-002-017	Con. washer	1
18	RD-401-002-018	Cup	1
19	RD-401-002-019	Nut	1
20	RD-401-002-020	Retainer G 3/8"	1
Standard parts			
21	Screw M4x10 DIN7991		4
22	Screw M6x16 DIN7991		5
23	Screw G1/8 - 28 DIN 908		1
24	Washer 10x14x1 DIN 7603		1
25	O-ring 026-030-25-1-7 GOST 18829-73		2
26	O-ring 019-023-25-1-7 GOST 18829-73		2
27	O-ring 024-028-25-1-7 GOST 18829-73		2
28	O-ring 021-025-25-1-7 GOST 18829-73		1
29	O-ring 030-034-25-1-7 GOST 18829-73		1
30	O-ring 051-055-25-1-7 GOST 18829-73		1
31	Ball bearing 60203 GOST 7242-70		1
32	Screw M8x45 DIN 912		6
33	Screw M8x16 DIN 912		4
34	Washer 8 DIN 125		
35	Screw M10x10 DIN 913		1
36	Screw M5x8 DIN 913		1
37	Nail bearing SKF NKI 25X20 TN		1

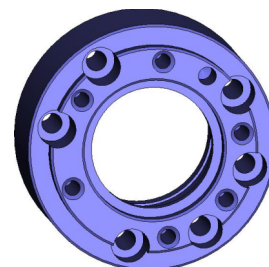
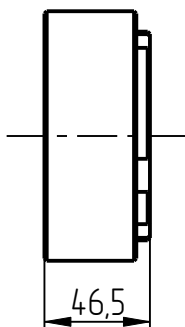
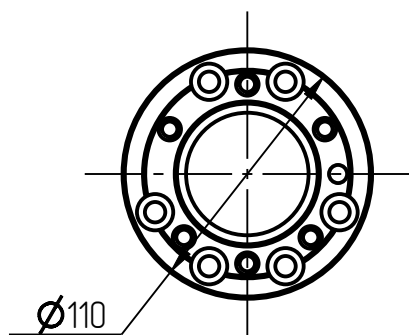
38	Retaining ring A30 DIN 471	2
39	Nail bearing SKF NKI 30X20 TN	1
40	Ball bearing 1506 GOST 5720-75	1
41	Ball bearing 108 GOST 8338-75	1
42	Retaining ring 2A68 DIN 7993	1
43	Screw M6x10 DIN 912	3
44	Screw M12x35 DIN 912	1
45	Pin 6Гx40 DIN 6352	2
46	Screw M8x35 DIN 912	6
47	Screw M6x50 DIN 912	10
48	Pin 8Гx25 DIN 6352	2
49	Screw M6x35 DIN 912	10



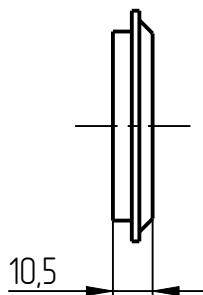
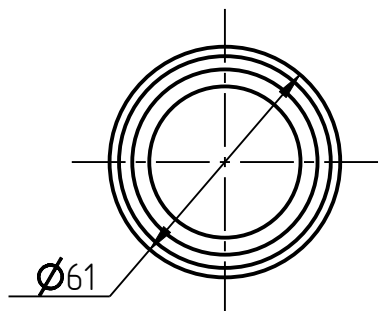
1. Housing
RD-401-002-001



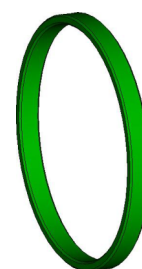
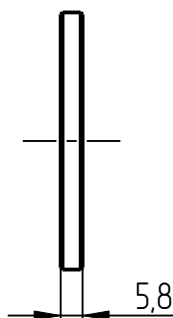
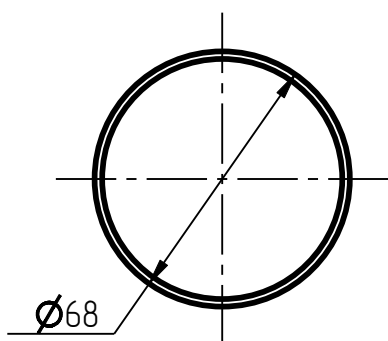
2. Cover
RD-401-002-002



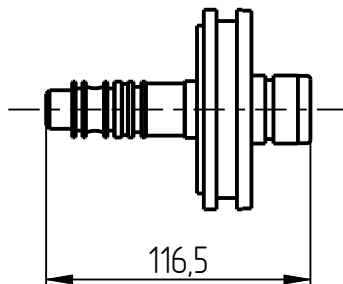
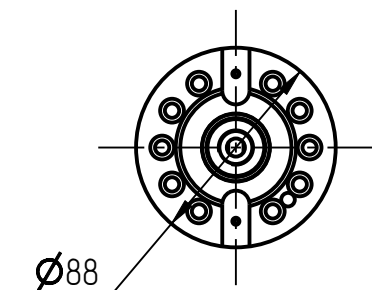
3. Flange
RD-401-002-003



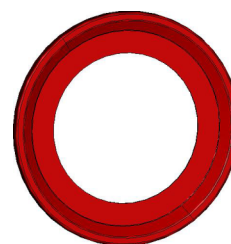
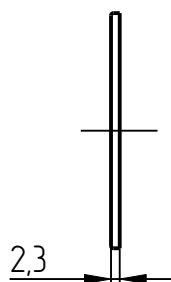
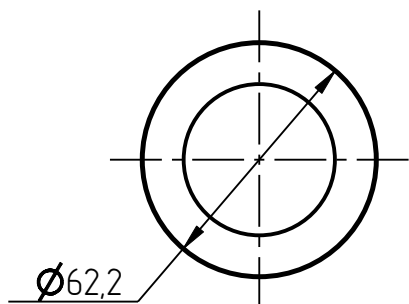
7. Washer
RD-401-002-007



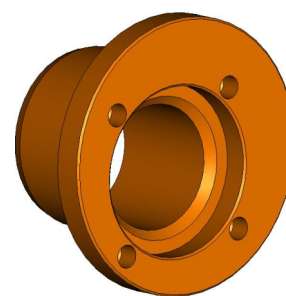
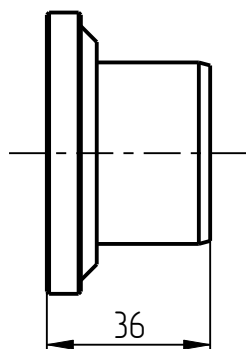
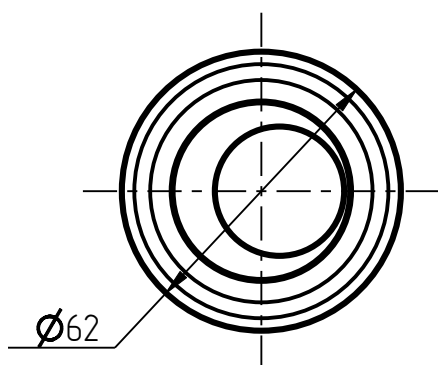
8. Washer
RD-401-002-008



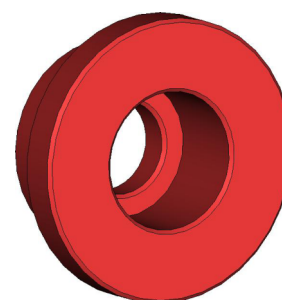
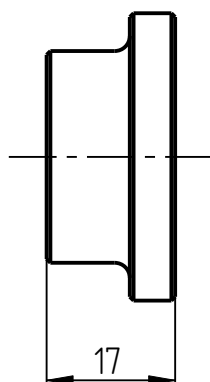
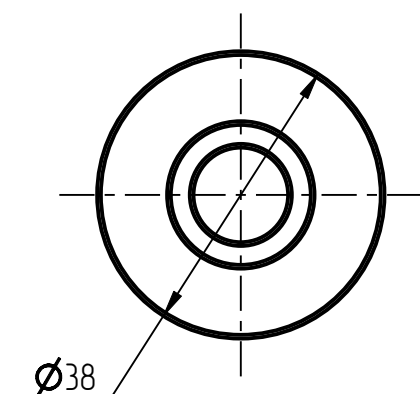
9. Pinion shaft
RD-401-002-009



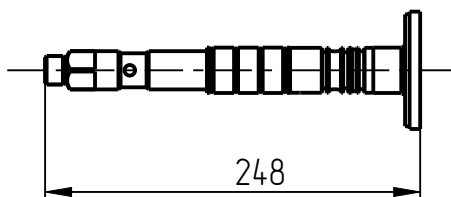
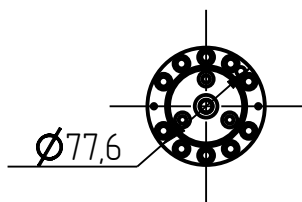
4. Bearing cup
RD-401-002-004



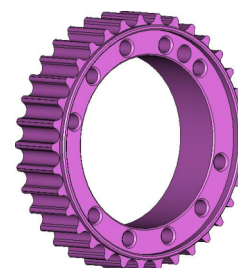
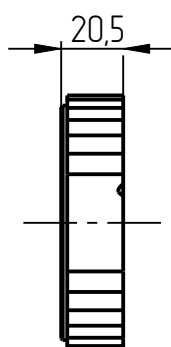
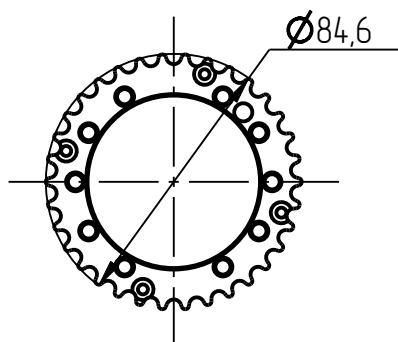
5. Eccentric
RD-401-002-005



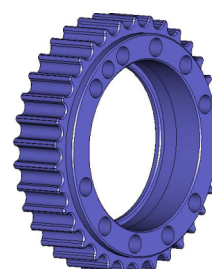
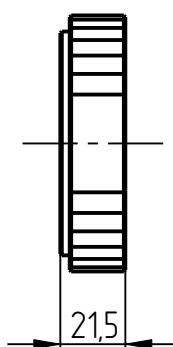
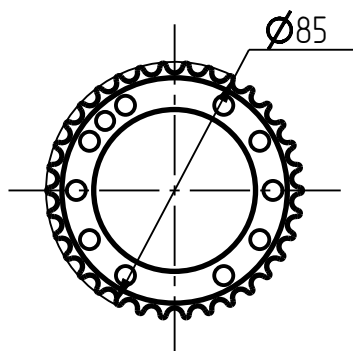
6. Bushing
RD-401-002-006



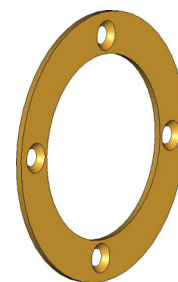
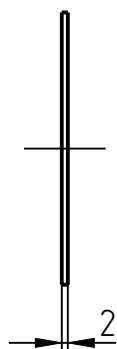
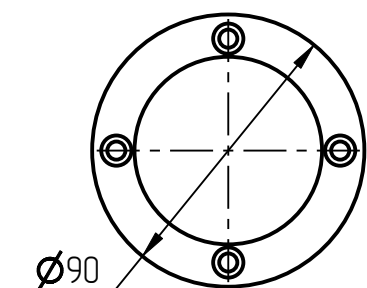
10. Pinion shaft
RD-401-002-010



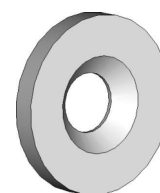
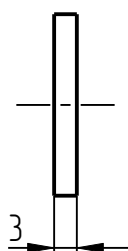
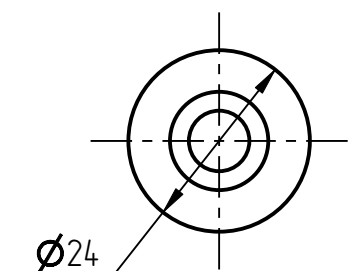
11. Pulley
RD-401-002-011



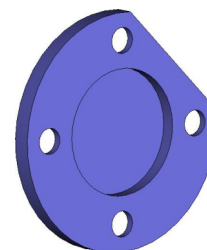
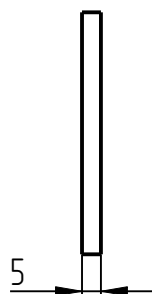
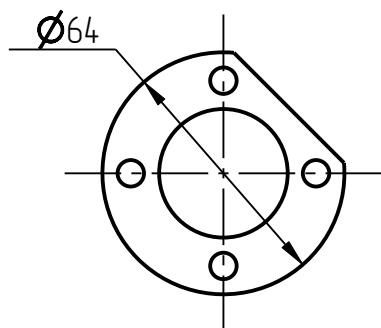
12. Pulley
RD-401-002-012



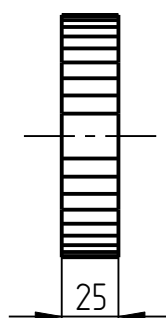
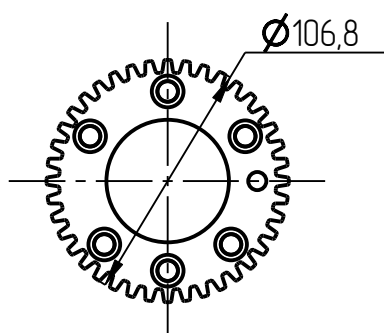
16. Шаїда к шкїбу
RD-401-002-016



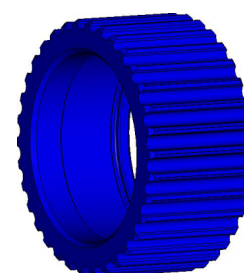
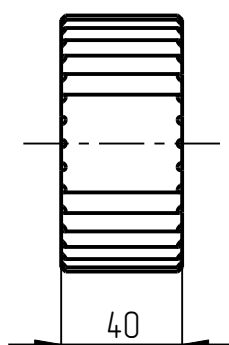
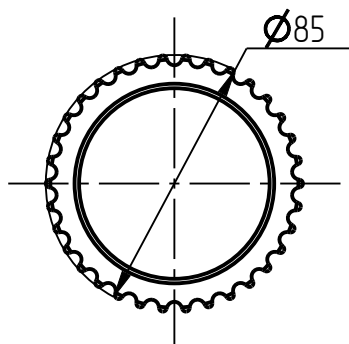
17. Шаїда под конус
RD-401-002-017



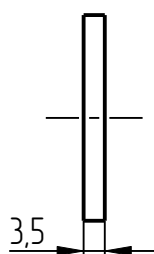
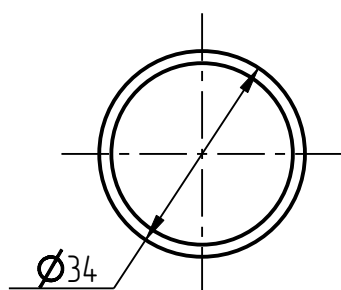
18. Крышка
RD-401-002-018



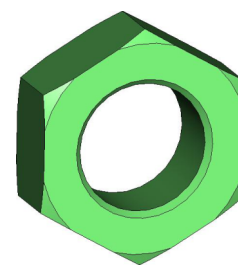
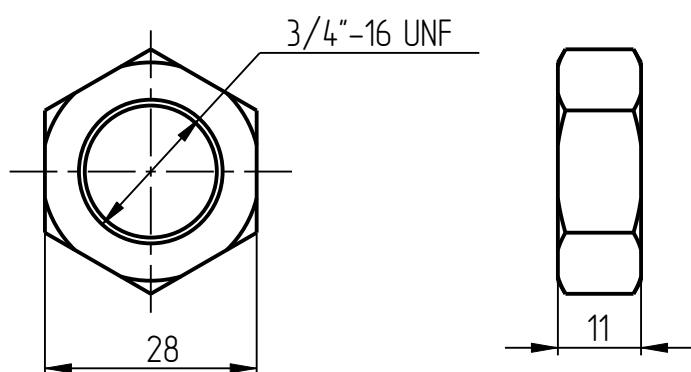
13. Шестерня $z=40$
RD-401-002-013



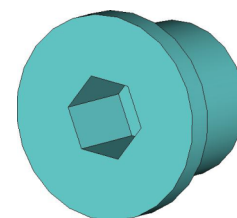
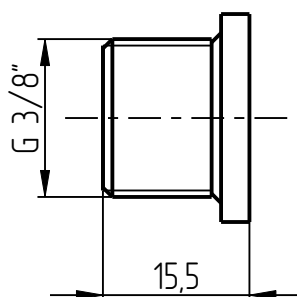
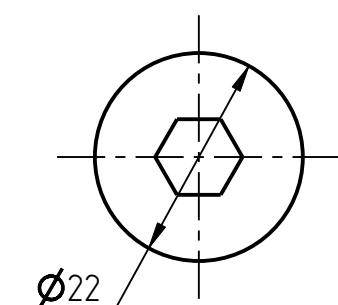
14. Шкив
RD-401-002-014



15. Кольцо дистанционное
RD-401-002-015



16. RD-401-002-019
Гайка



17. Заглушка G 3/8"
RD-401-002-020