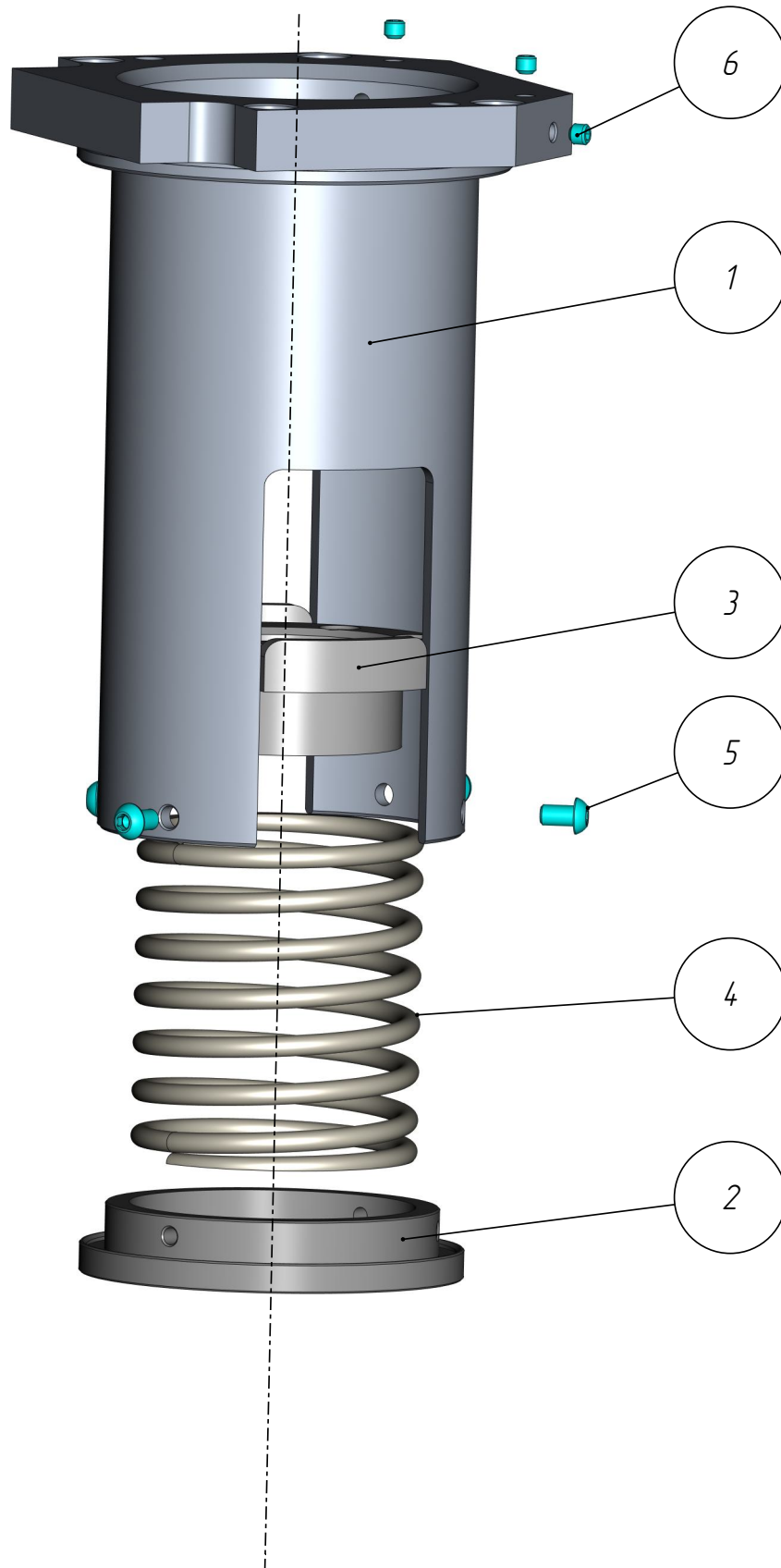


401

*Cartridge /
Plunger Positioner
(AL-401-108-00)*

Cartridge /
Plunger Positioner
(AL-401-108-00)
PPL-401-009

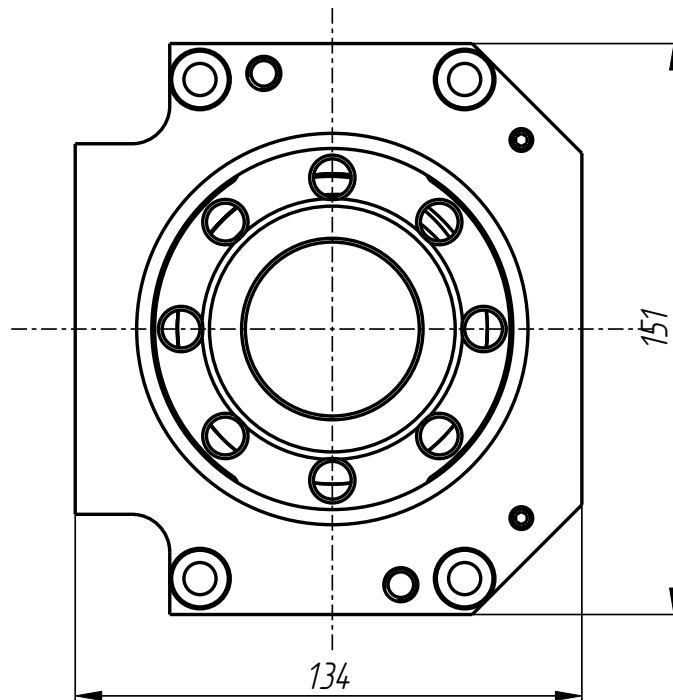
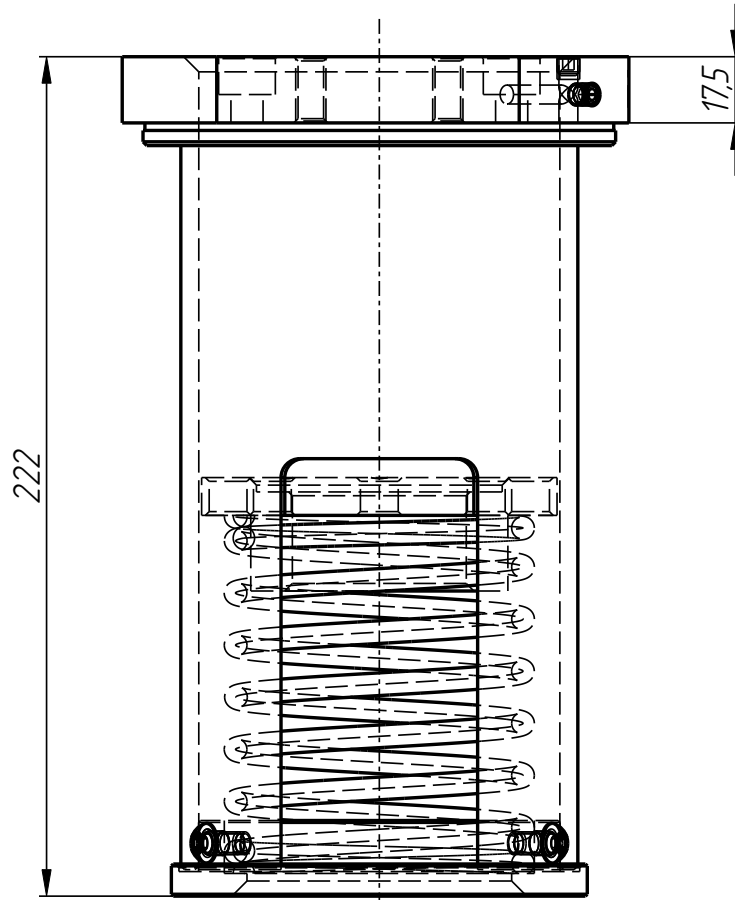
401



PPL-401-009

Cartridge /
Plunger Positioner
(AL-401-108-00)
PPL-401-009

401



3-5

*Cartridge /
Plunger Positioner
(AL-401-108-00)
PPl-401-009*

401

PPl-401-009

*Cartridge /
Plunger Positioner
(AL-401-108-00)*

Specification

<i>N° pos.</i>	<i>Code</i>	<i>Name</i>	<i>Qty</i>
----------------	-------------	-------------	------------

Parts:

1	<i>PPl-401-009-001</i>	<i>Main body</i>	1
2	<i>PPl-401-009-002</i>	<i>Spring retainer</i>	1
3	<i>PPl-401-009-003</i>	<i>Sleeve</i>	1
4	<i>PPl-401-009-004</i>	<i>Spring</i>	1

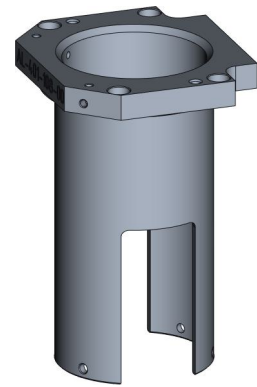
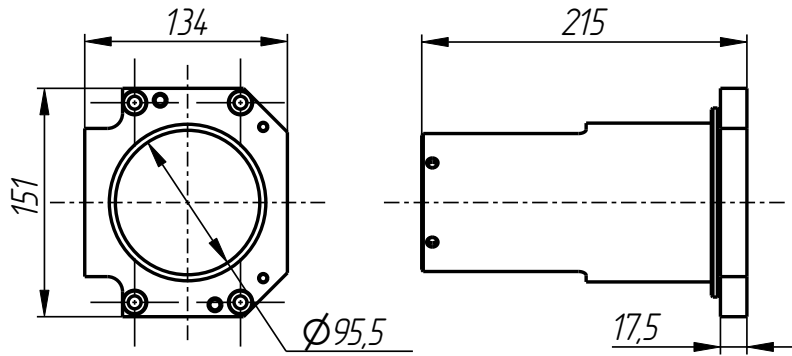
Standard parts:

5	<i>Screw M6x10 ISO 7380</i>		4
6	<i>Screw M6x5 OCT 11074-93</i>		4

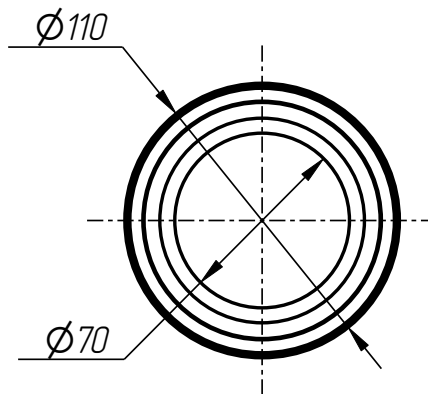
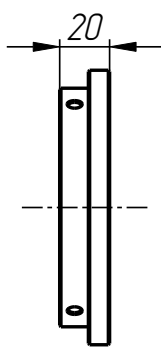
PPl-401-009

Cartridge /
Plunger Positioner
(AL-401-108-00)
PPL-401-009

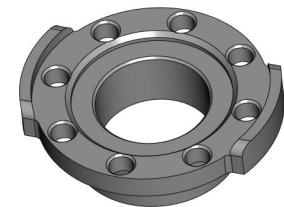
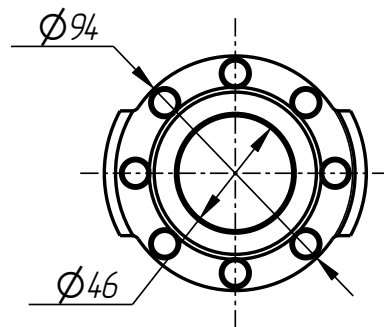
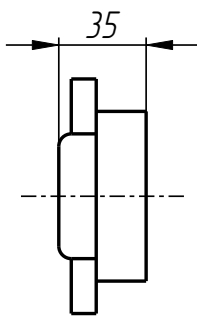
401



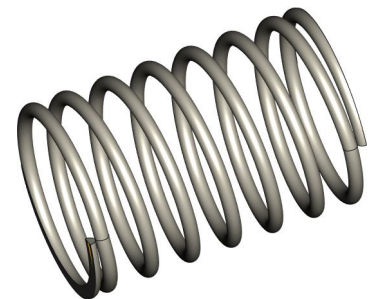
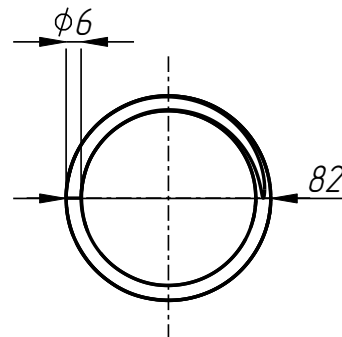
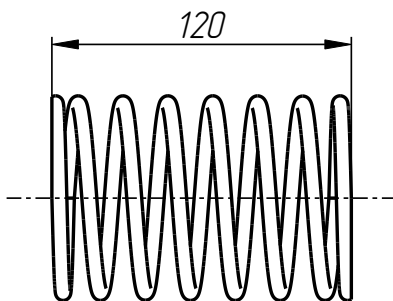
Main body
PPL-401-009-001



Spring retainer
PPL-401-009-002



Sleeve
PPL-401-009-003



Spring
PPL-401-009-004