

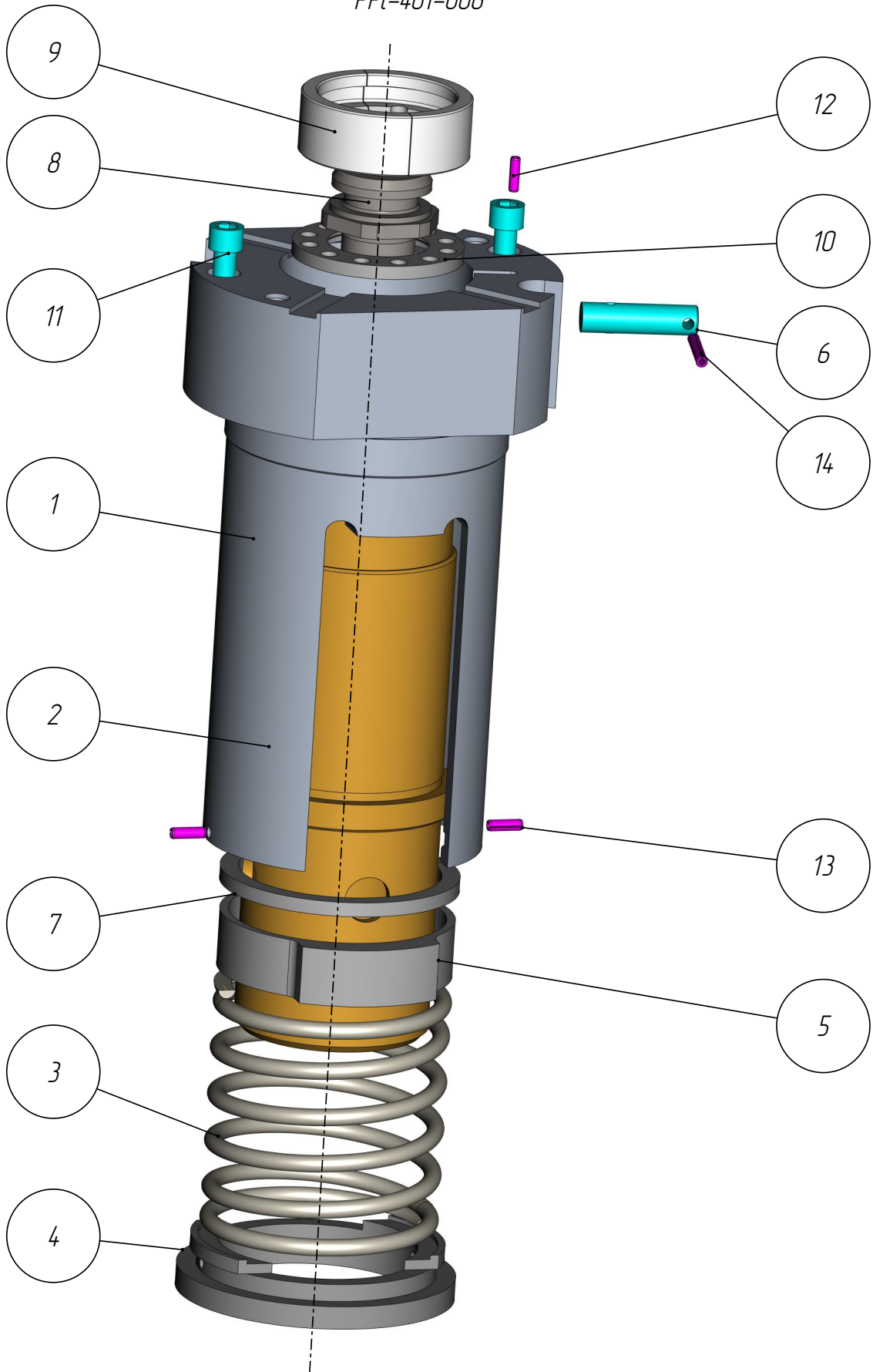
*401*

*PPI-401-006*

*Cartridge /  
Plunger Positioner 70  
(MRN-401-70\_000)*

Cartridge /  
Plunger Positioner 70  
(MRN-401-70\_000)  
PPI-401-006

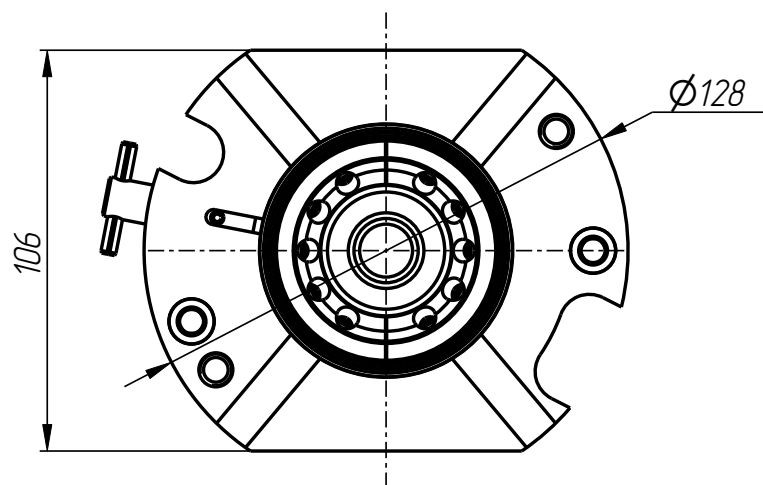
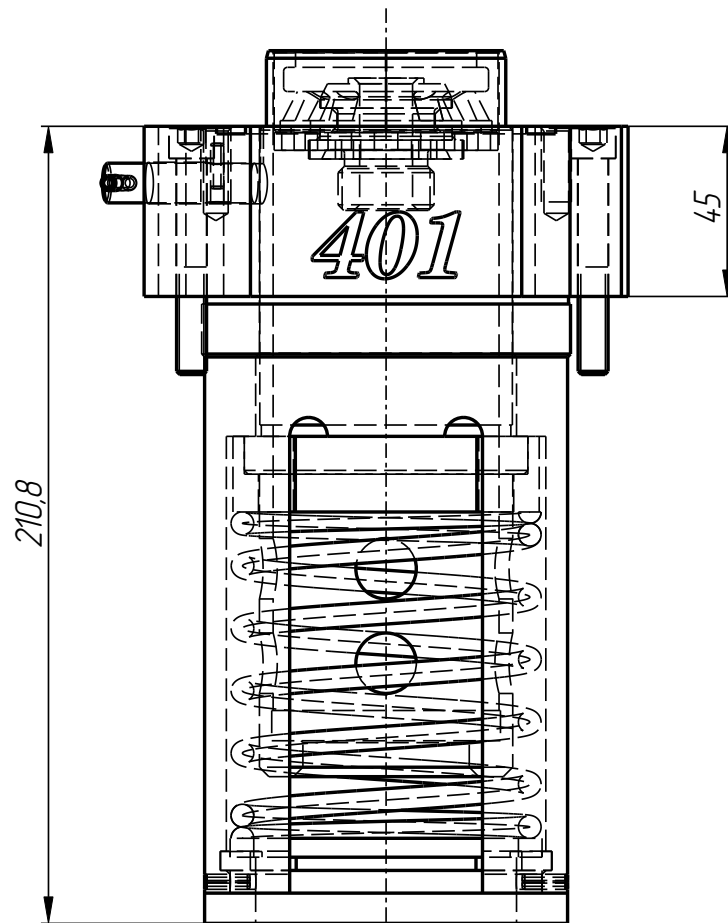
401



PPI-401-006

Cartridge /  
Plunger Positioner 70  
(MRN-401-70\_000)  
PPI-401-006

401



PPI-401-006

Cartridge /  
Plunger Positioner 70  
(MRN-401-70\_000)  
PPL-401-006

401

## PPL-401-006

Cartridge /  
Plunger Positioner 70  
(MRN-401-70\_000)

Specification

| N° pos. | Code | Name | Qty |
|---------|------|------|-----|
|---------|------|------|-----|

Parts:

|    |                 |                 |   |
|----|-----------------|-----------------|---|
| 1  | PPL-401-006-001 | Main body       | 1 |
| 2  | PPL-401-006-002 | Bushing         | 1 |
| 3  | PPL-401-006-003 | Spring          | 1 |
| 4  | PPL-401-006-004 | Spring retainer | 1 |
| 5  | PPL-401-006-005 | Seat            | 1 |
| 6  | PPL-401-006-006 | Plug            | 1 |
| 7  | PPL-401-006-007 | supporting ring | 1 |
| 8  | PPL-401-006-008 | Adapter         | 1 |
| 9  | PPL-401-006-009 | Split ring      | 1 |
| 10 | PPL-401-006-010 | Ring adapter    | 1 |

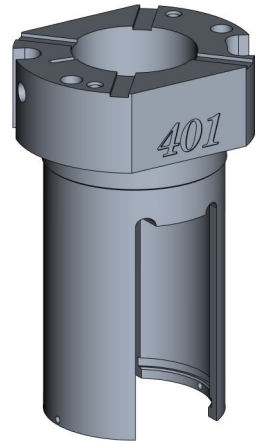
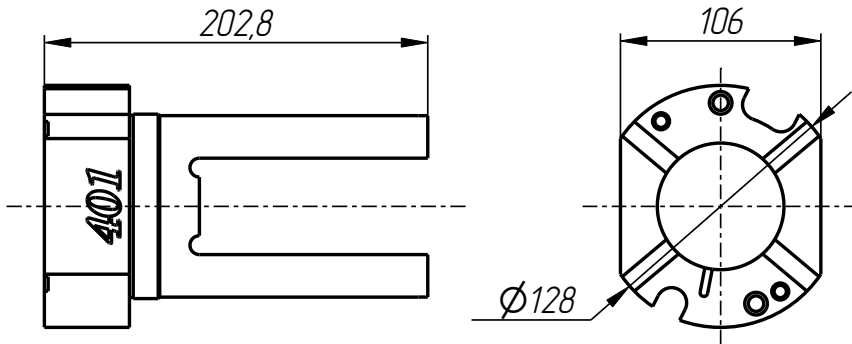
Standard parts:

|    |                                   |   |
|----|-----------------------------------|---|
| 11 | Screw UNC5/16"-18x2 1/4" DIN 912  | 2 |
| 12 | Spring pin $\phi$ 3,5x12 DIN 1481 | 1 |
| 13 | Spring pin $\phi$ 4x12 DIN 1481   | 2 |
| 14 | Spring pin $\phi$ 4x30 DIN 1481   | 1 |

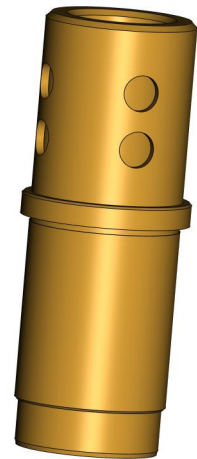
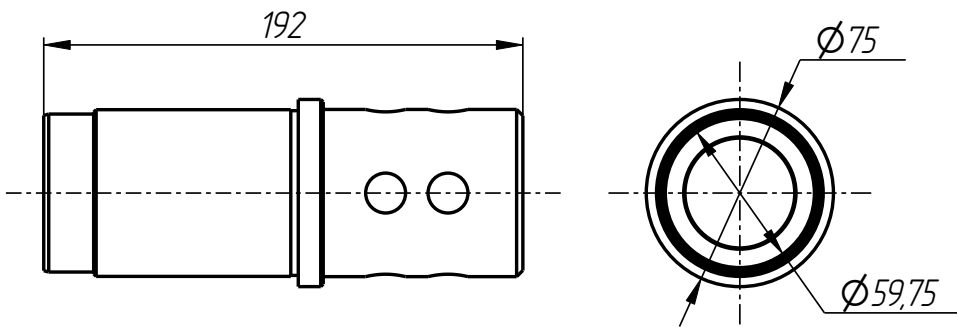
PPL-401-006

Cartridge /  
Plunger Positioner 70  
(MRN-401-70\_000)  
PPI-401-006

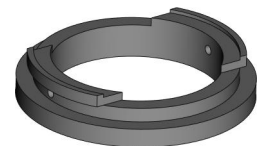
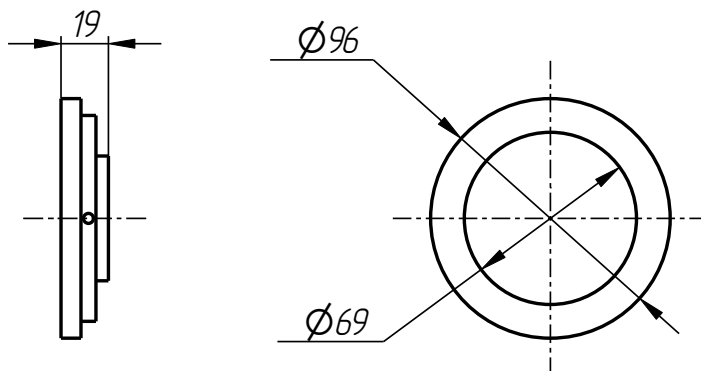
401



Main body  
PPI-401-006-001



Bushing  
PPI-401-006-002

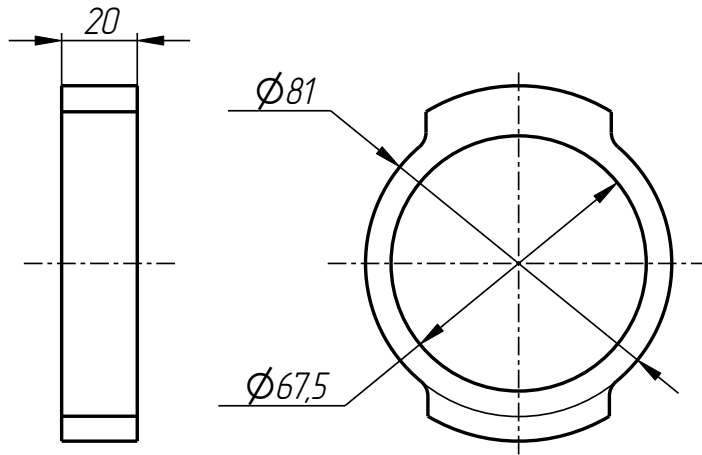


Spring retainer  
PPI-401-006-004

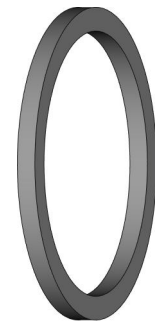
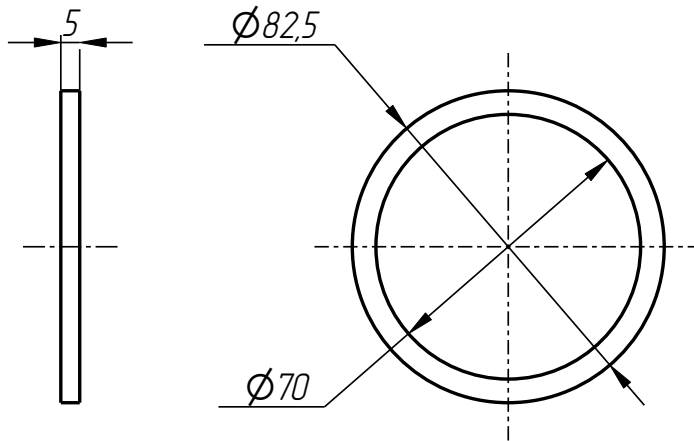
PPI-401-006

Cartridge /  
Plunger Positioner 70  
(MRN-401-70\_000)  
PPI-401-006

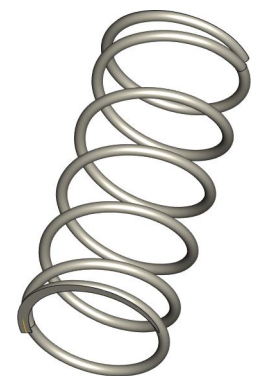
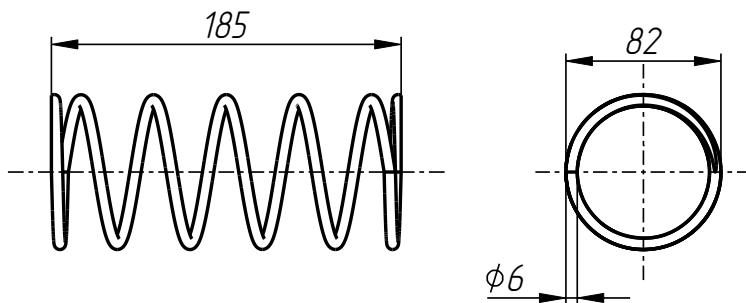
401



Seat  
PPI-401-006-005



supporting ring  
PPI-401-006-007

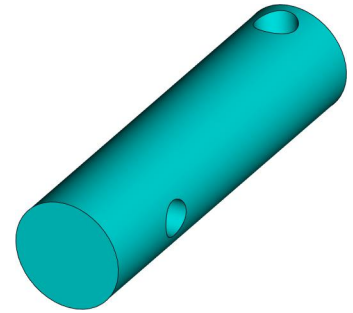
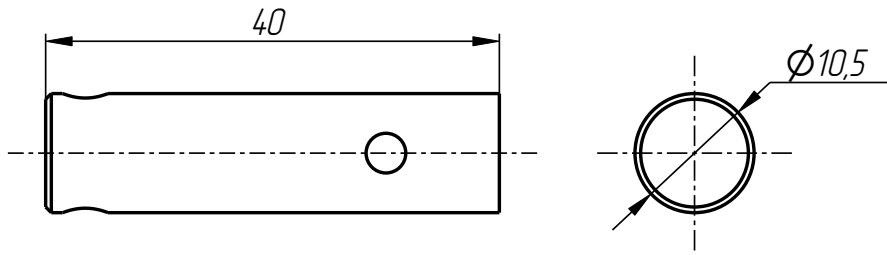


Spring  
PPI-401-006-003

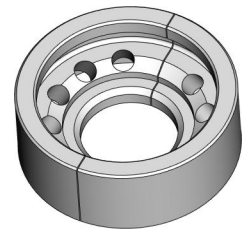
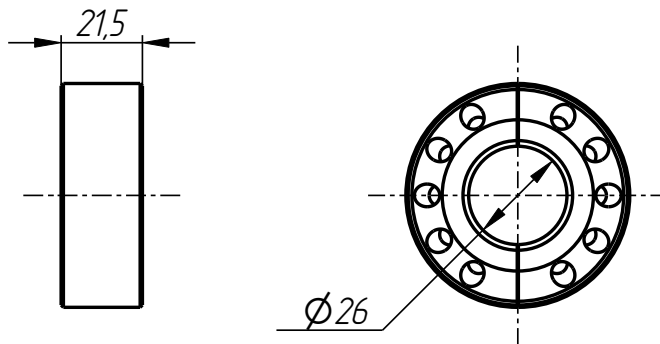
PPI-401-006

Cartridge /  
Plunger Positioner 70  
(MRN-401-70\_000)  
PPl-401-006

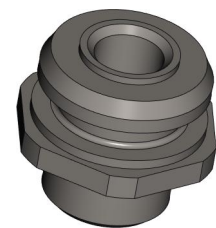
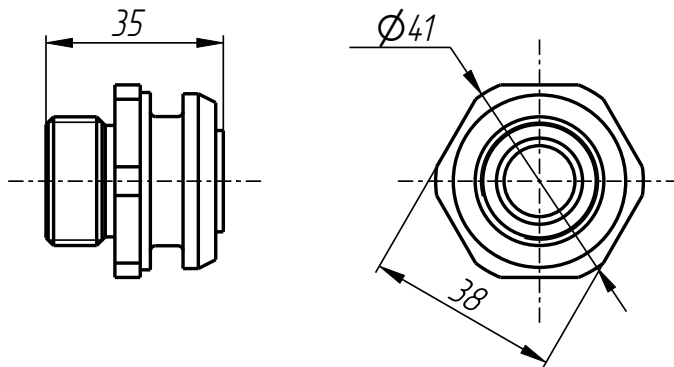
401



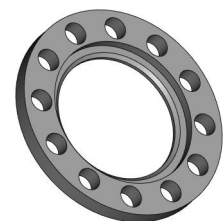
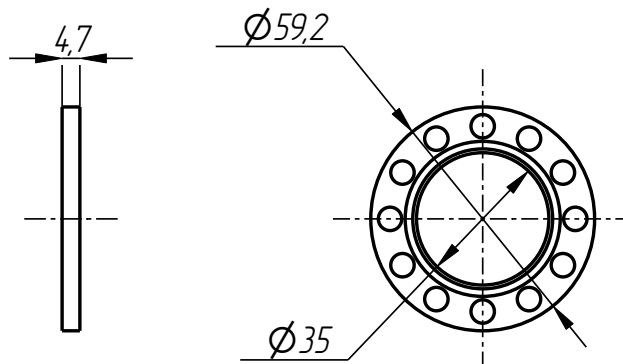
Plug  
PPl-401-006-006



Split ring  
PPl-401-006-009



Adapter  
PPl-401-006-008



Ring adapter  
PPl-401-006-010