

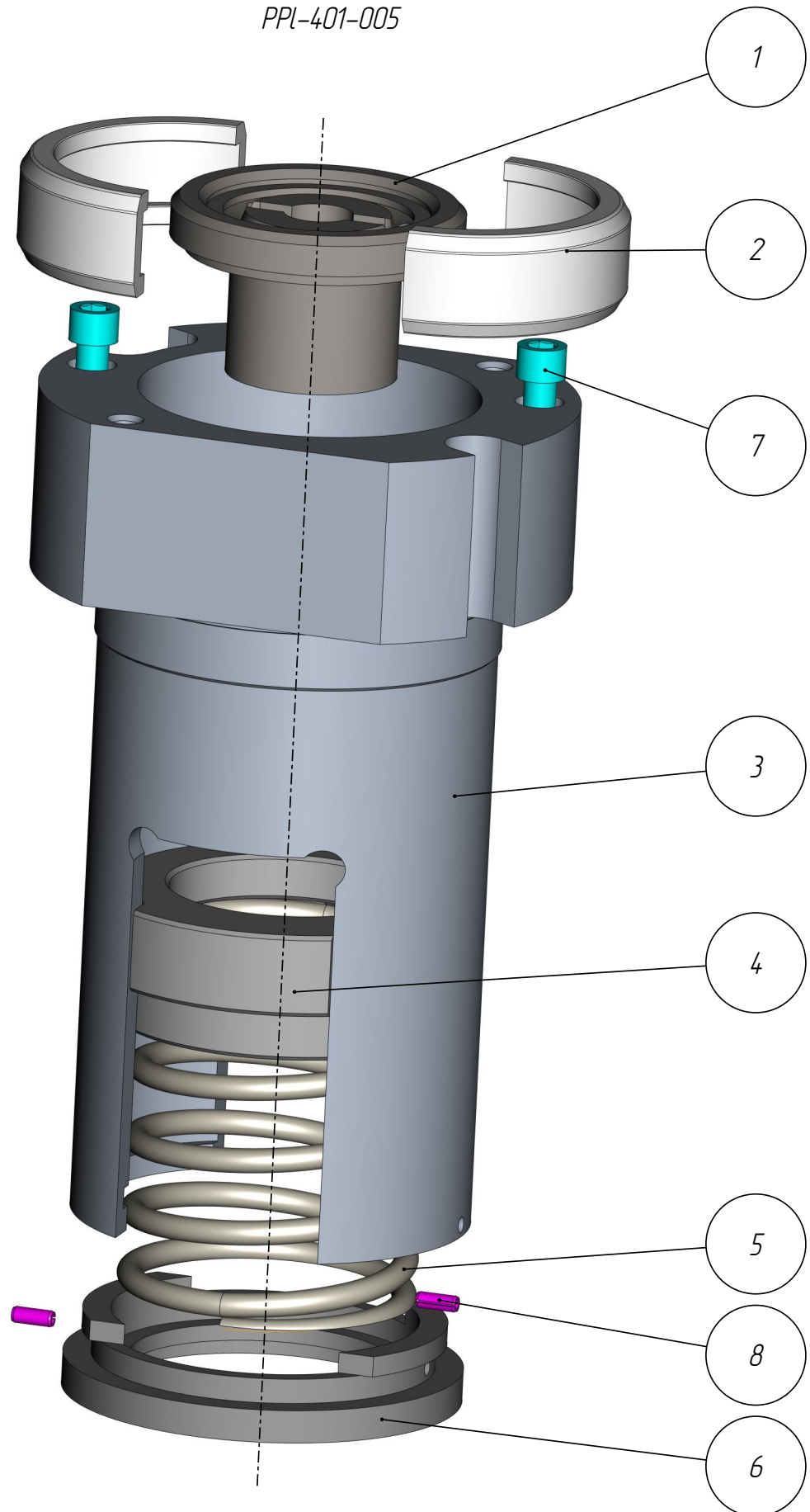
401

PPI-401-005

*Cartridge /
Plunger Positioner 90
(MRN-401-90_000)*

Cartridge /
Plunger Positioner 90
(MRN-401-90_000)
PPl-401-005

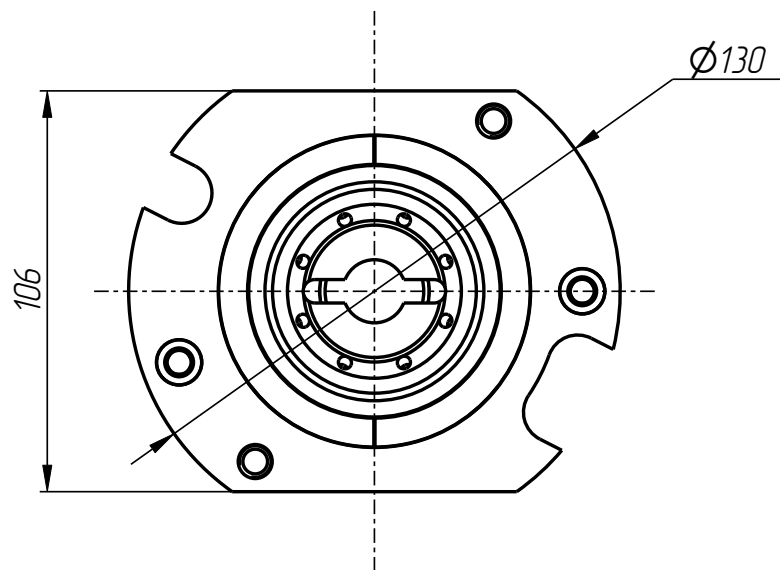
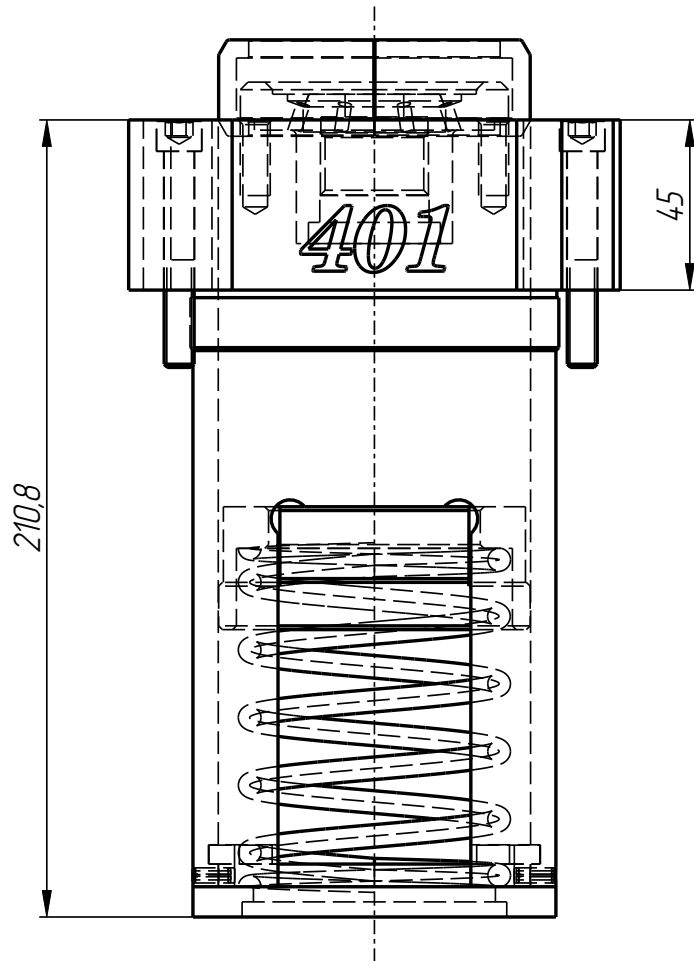
401



PPl-401-005

Cartridge /
Plunger Positioner 90
(MRN-401-90_000)
PPI-401-005

401



PPI-401-005

*Cartridge /
Plunger Positioner 90
(MRN-401-90_000)
PPl-401-005*

401

PPl-401-005

*Cartridge /
Plunger Positioner 90
(MRN-401-90_000)*

Specification

<i>N° pos.</i>	<i>Code</i>	<i>Name</i>	<i>Qty</i>
----------------	-------------	-------------	------------

Parts:

<i>1</i>	<i>PPl-401-004-001</i>	<i>Adapter</i>	<i>1</i>
<i>2</i>	<i>PPl-401-004-002</i>	<i>Split ring</i>	<i>2</i>
<i>3</i>	<i>PPl-401-005-001</i>	<i>Main body</i>	<i>1</i>
<i>4</i>	<i>PPl-401-005-002</i>	<i>Sleeve</i>	<i>1</i>
<i>5</i>	<i>PPl-401-005-003</i>	<i>Spring</i>	<i>1</i>
<i>6</i>	<i>PPl-401-005-004</i>	<i>Spring retainer</i>	<i>1</i>

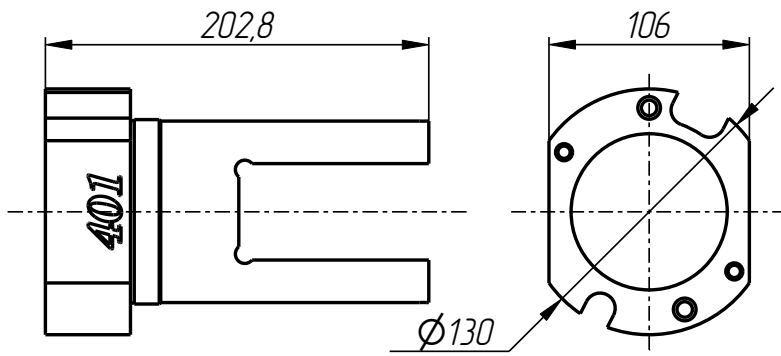
Standard parts:

<i>7</i>	<i>Screw UNC5/16"-18x2 1/4" DIN 912</i>	<i>2</i>
<i>8</i>	<i>Spring pin ϕ4x10 DIN 1481</i>	<i>2</i>

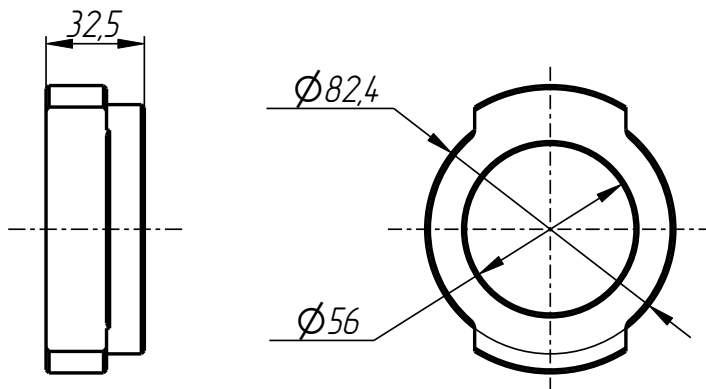
PPl-401-005

Cartridge /
Plunger Positioner 90
(MRN-401-90_000)
PPl-401-005

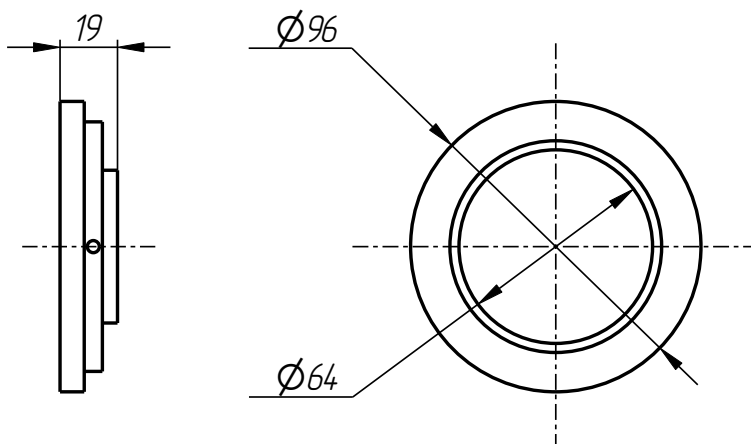
401



Main body
PPl-401-005-001



Sleeve
PPl-401-005-002

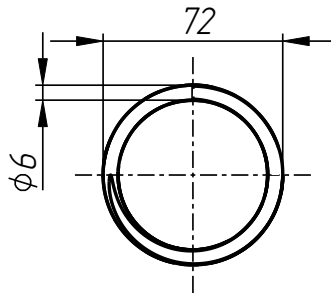
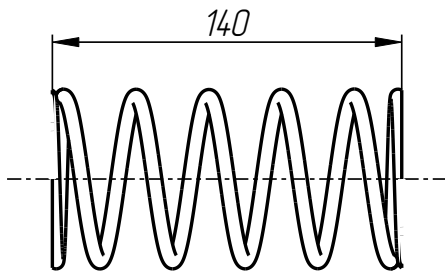


Spring retainer
PPl-401-005-004

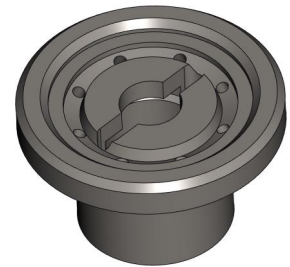
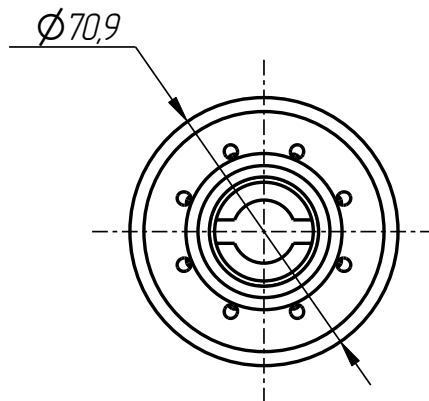
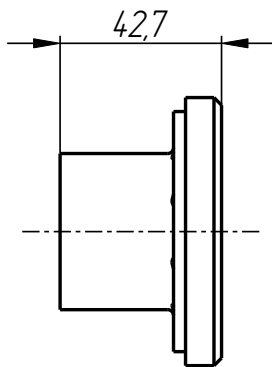
PPl-401-005

Cartridge /
Plunger Positioner 90
(MRN-401-90_000)
PPI-401-005

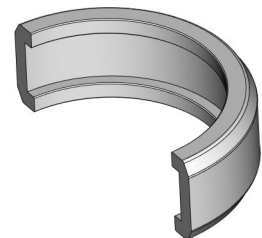
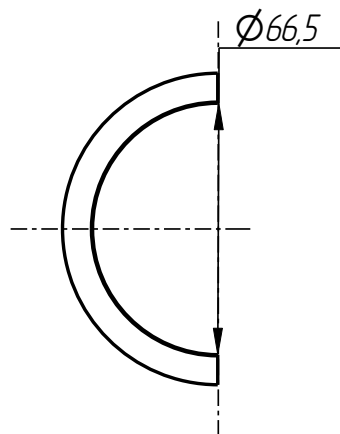
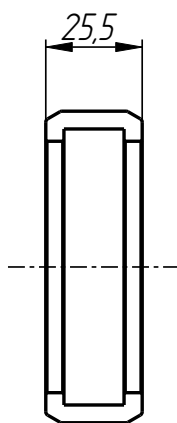
401



Spring
PPI-401-005-003



Adapter
PPI-401-004-001



Split ring
PPI-401-004-002

PPI-401-005