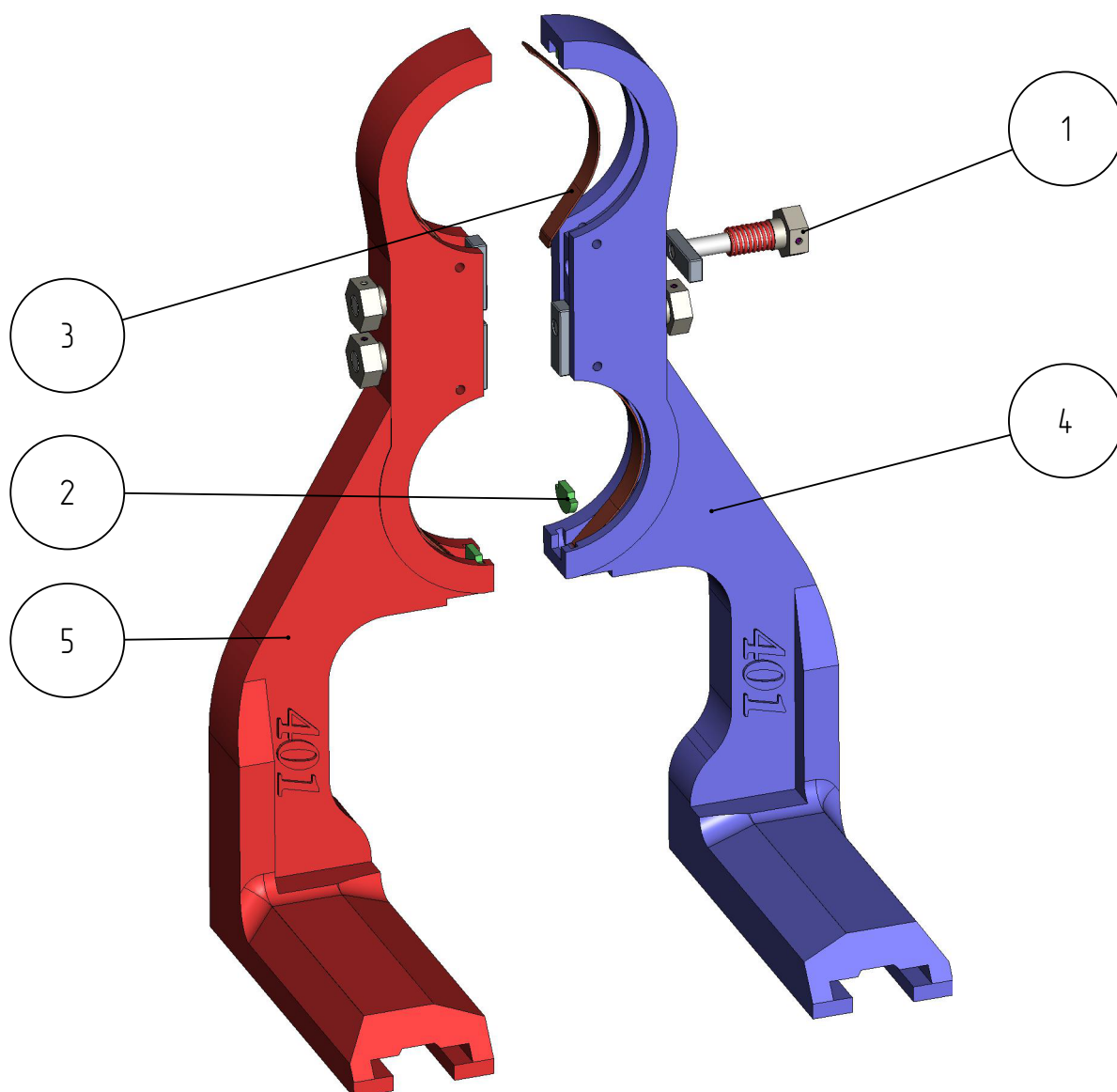


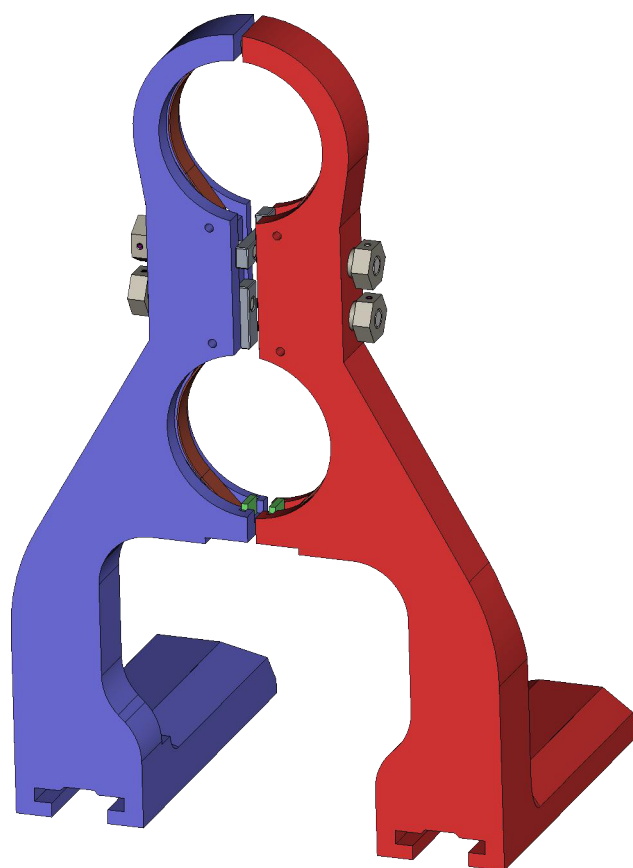
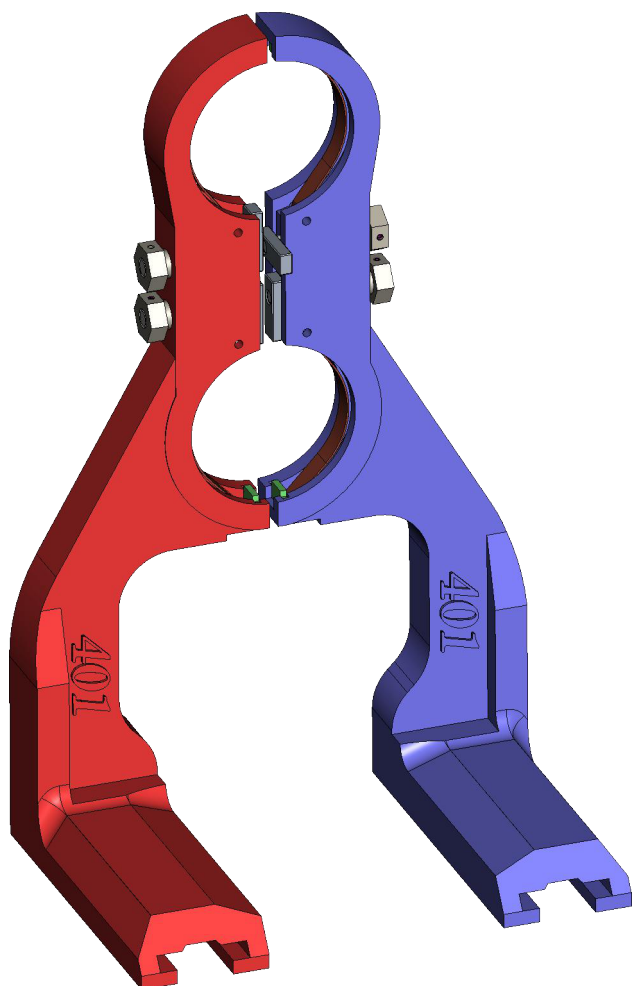
401

DGK-401-016
NECKRING HOLDER
(MRN-401-AL-1112-2-1)

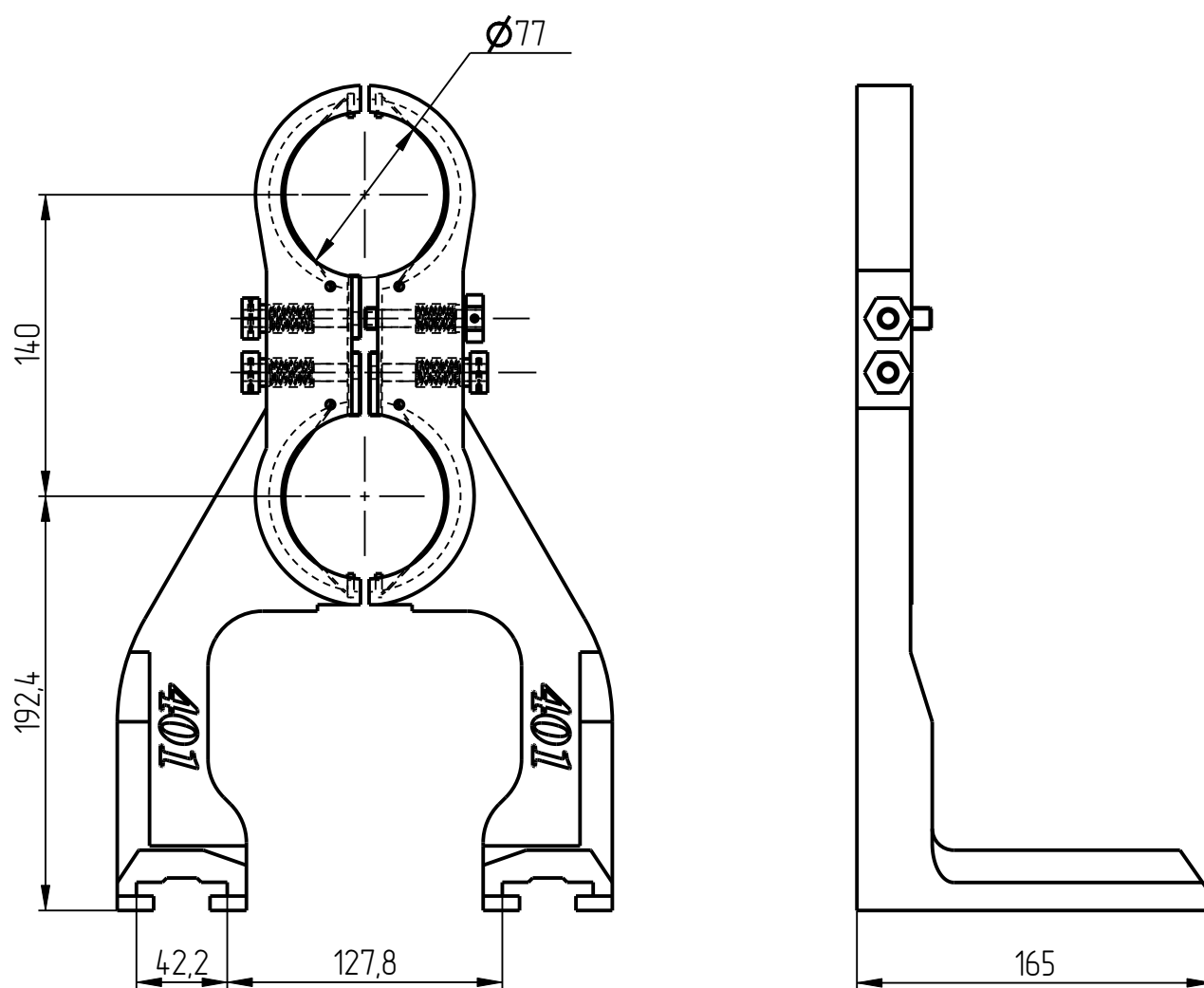
Neckring holder DGK-401-016



Neckring holder DGK-401-016

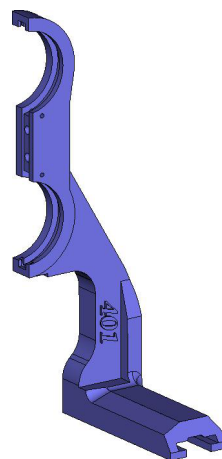
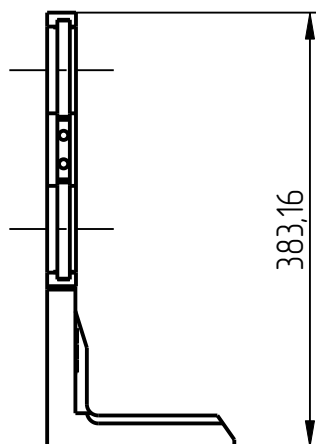
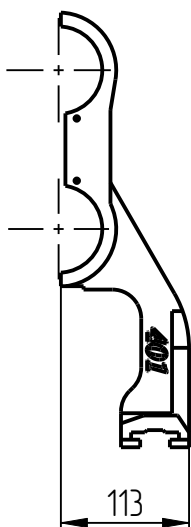


Neckring holder DGK-401-016

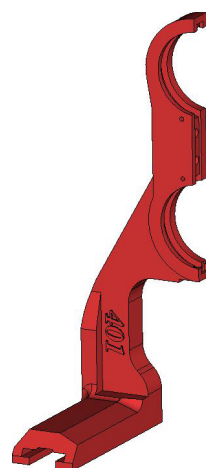
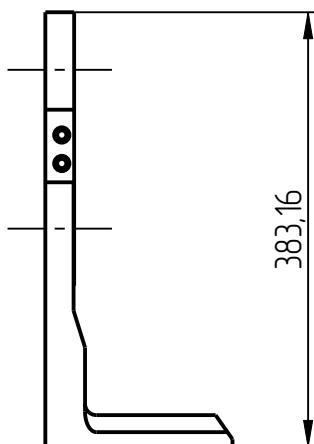
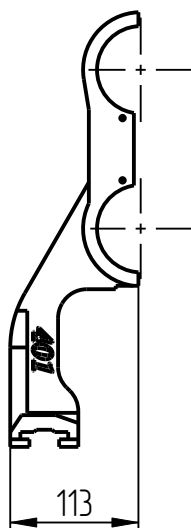


Neckring holder DGK-401-015 Specification

№ pos.	Code	Name	Qty
Assemblies			
1	DGK-401-016-002	Lock	4
Unified parts			
2	DGK-401-STANDART-01	Stop	4
3	DGK-401-STANDART-05-L106	Leaf spring	4
Parts			
4	DGK-401-016-001	Neckring holder LH	1
5	DGK-401-016-001-01	Neckring holder RH	1

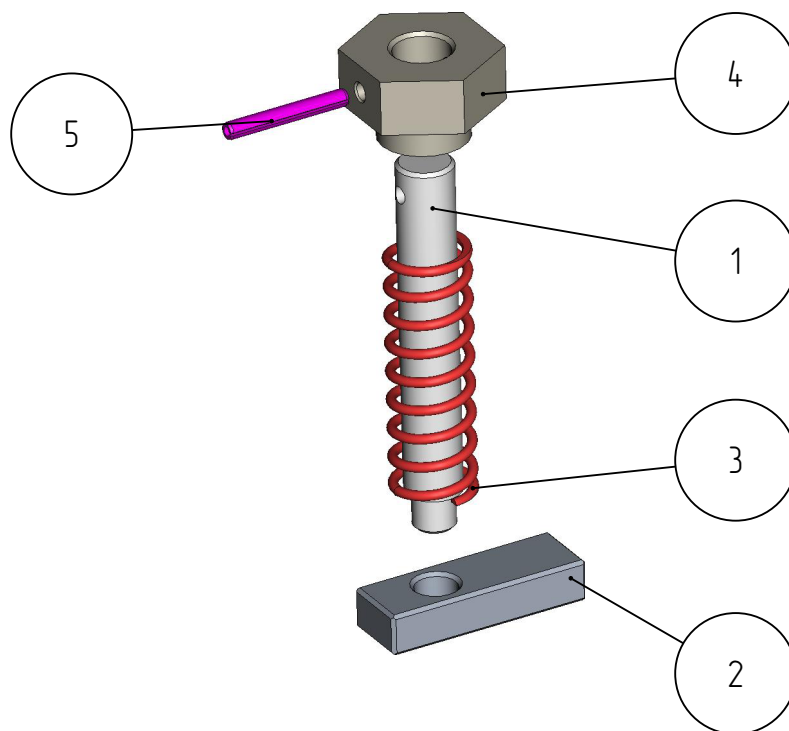


4. Neckring holder LH
DGK-401-016-001



5. Neckring holder RH
DGK-401-016-001-01

Assemblies
Lock DGK-401-016-002



№ pos.	Code	Name	Qty
Parts			
1	DGK-401-STANDART-02-01-049	Plug	1
2	DGK-401-STANDART-02-02-20-29_5	Lock	1
3	DGK-STANDART-02-04X36	Spring	1
4	DGK-401-STANDART-02-03	Knob	1
Standard parts			
5	Spring pin 2,50x18 DIN 1481		1