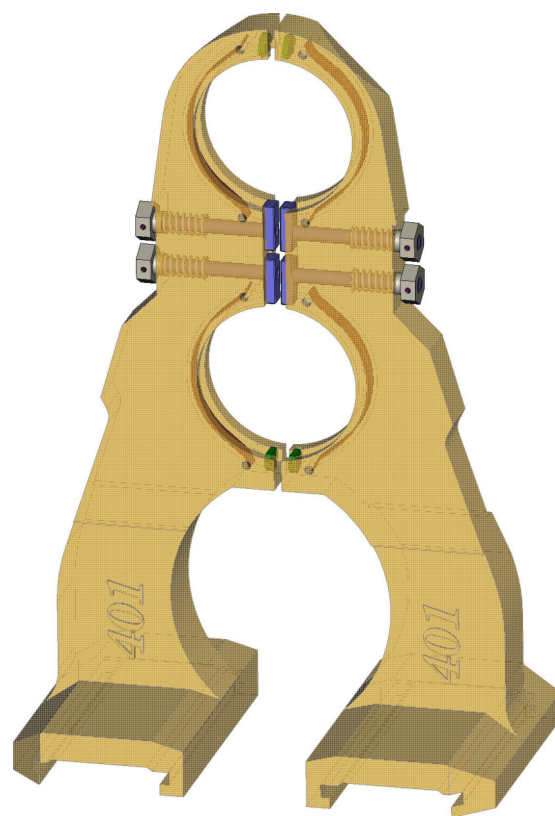
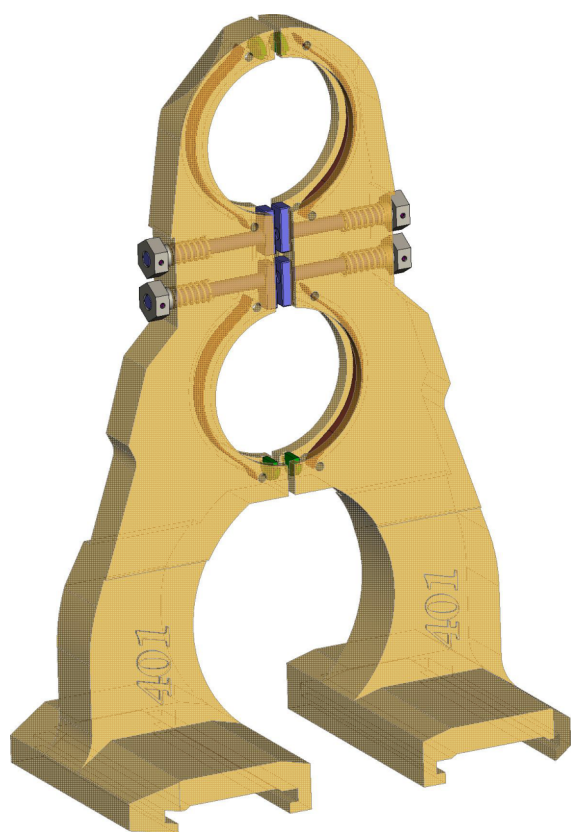


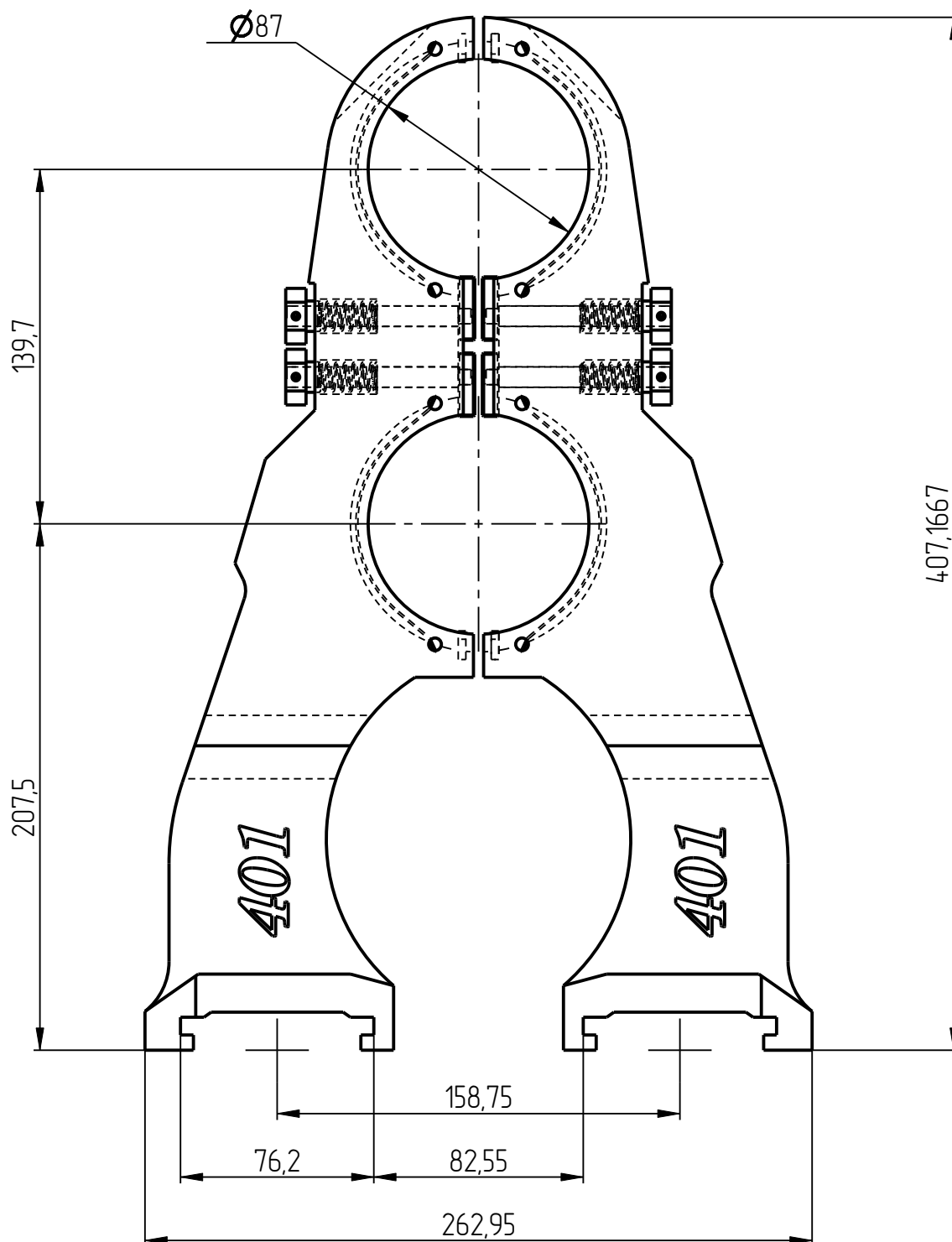
401

DGK-401-013
NECKRING HOLDER
(23-1405)

Neckring holder
DGK-401-013

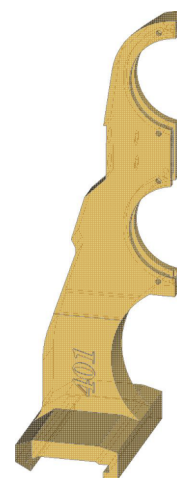
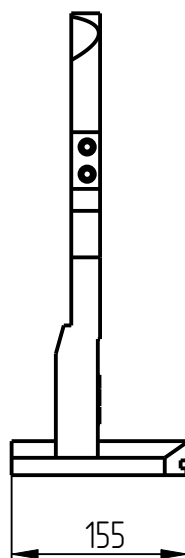
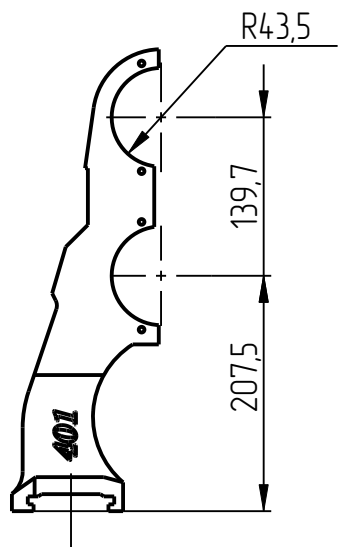


Neckring holder
DGK-401-013

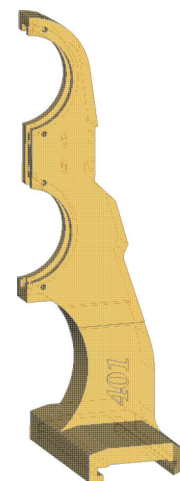
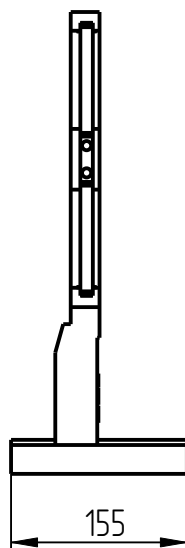
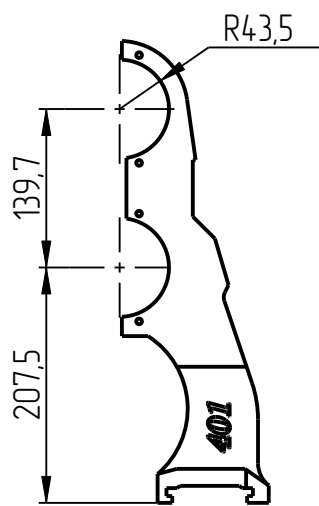


Neckring holder DGK-401-013 Specification

№ pos.	Code	Name	Qty
Parts			
1	DGK-401-013-001	Neckring holder RH	1
2	DGK-401-013-002	Neckring holder LH	1
Unified parts			
3	DGK-401-STANDART-01	Stop	4
4	DGK-401-STANDART-02-01-068	Plug	4
5	DGK-401-STANDART-02-02-15_5-25	Lock	4
6	DGK-401-STANDART-02-03_19	Knob	4
7	DGK-401-STANDART-02-04	Spring	4
8	DGK-401-STANDART-03-123	Leaf spring	4
Standard parts			
9	Spring pin	∅2,50x18 DIN 1481	4



1. Neckring holder RH
DGK-401-013-001



2. Neckring holder LH
23-1405-01