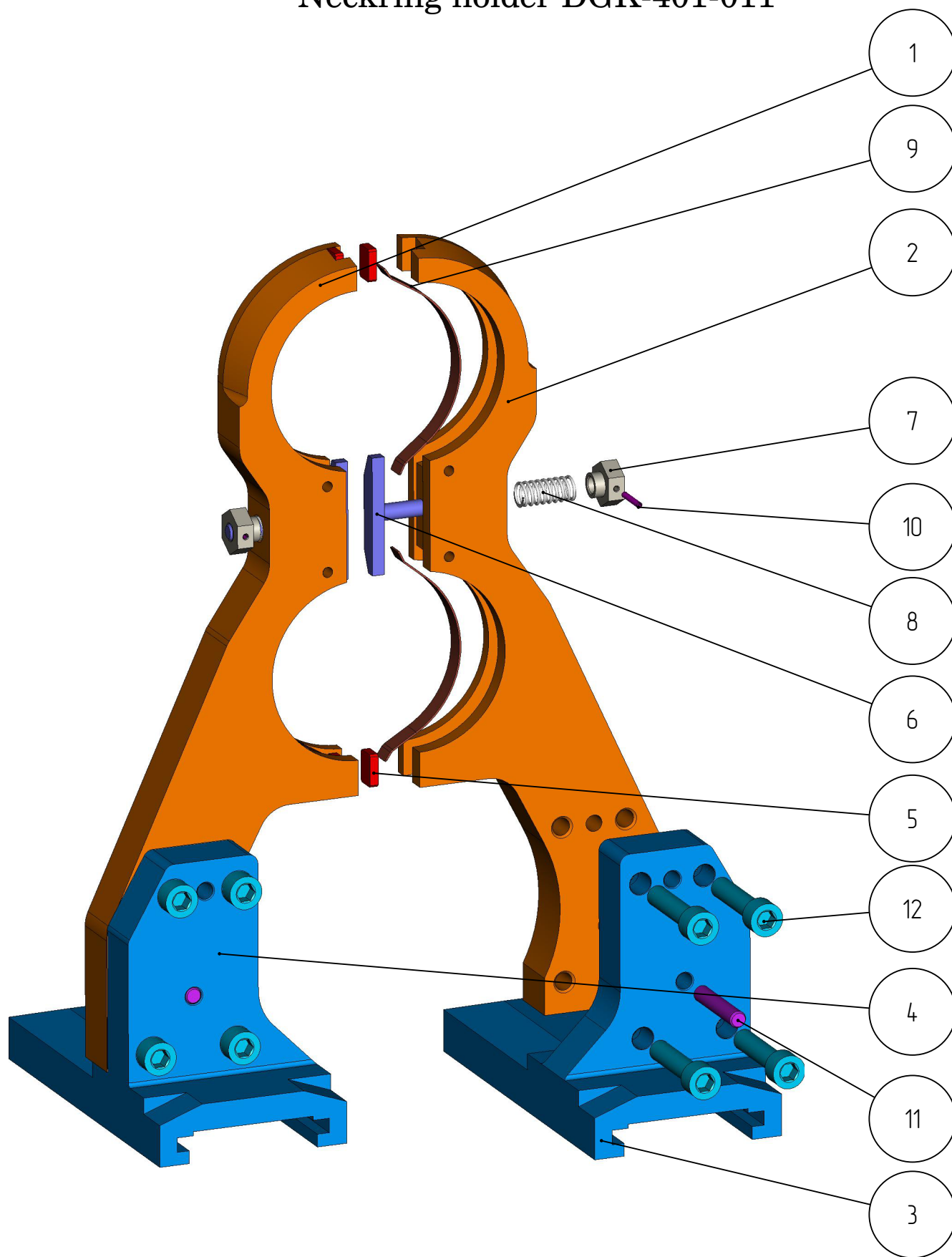


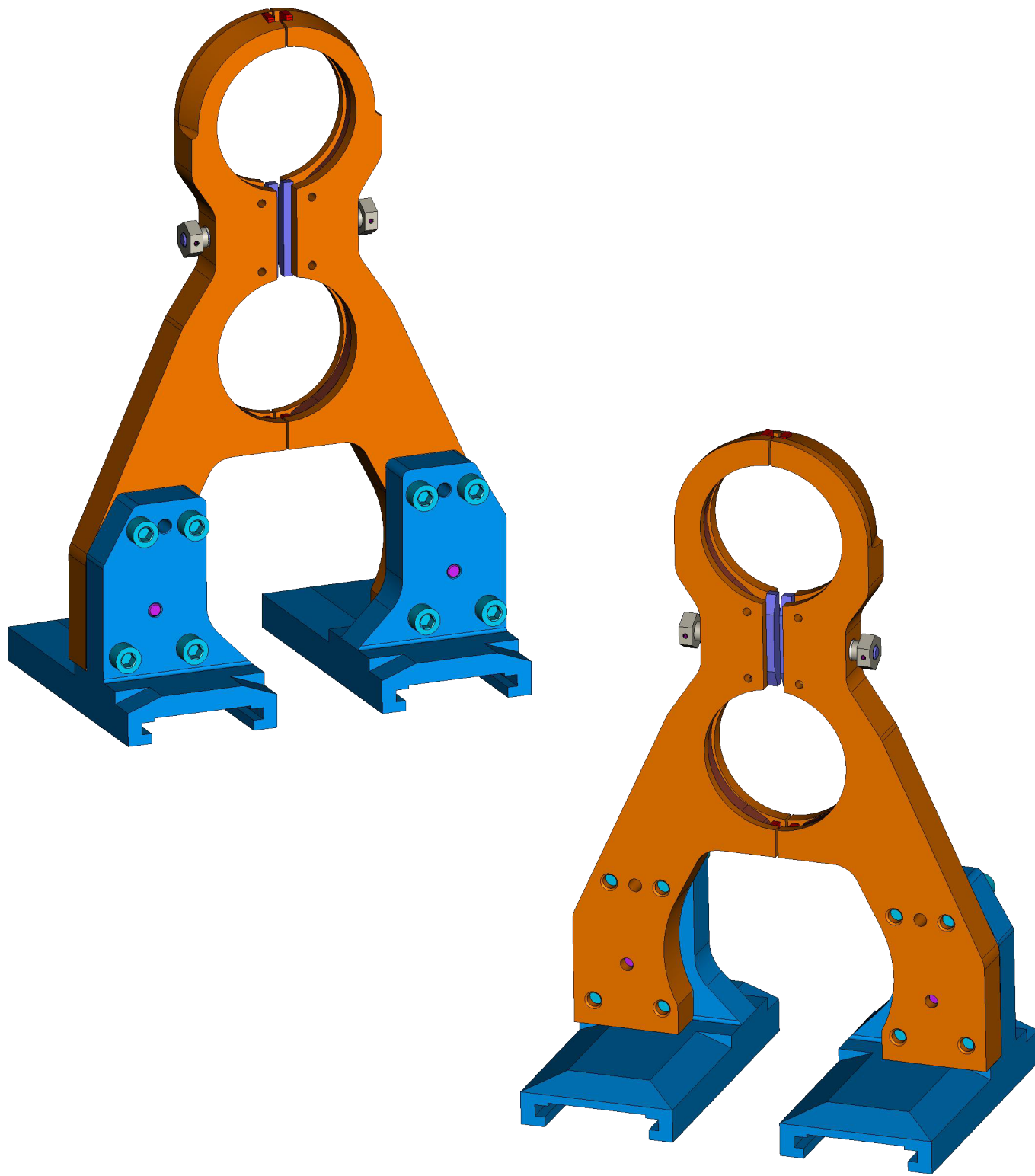
401

DGK-401-011
NECKRING HOLDER
(001.DGK.AL.87_3)

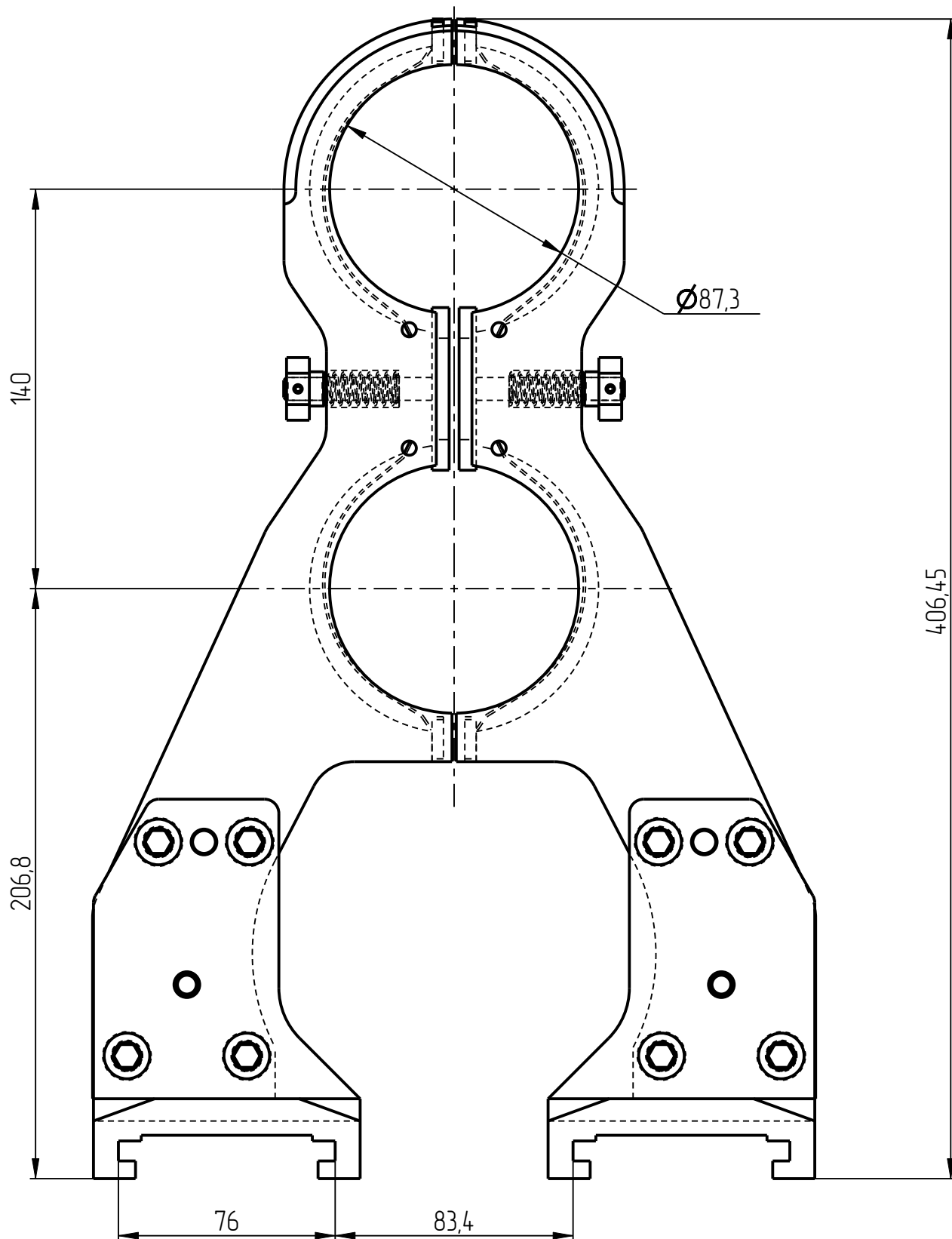
Neckring holder DGK-401-011



Neckring holder DGK-401-011

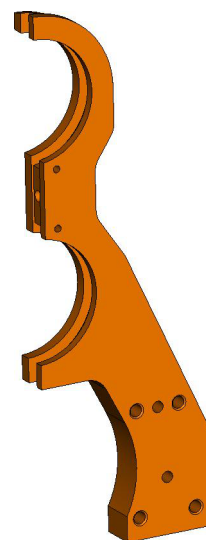
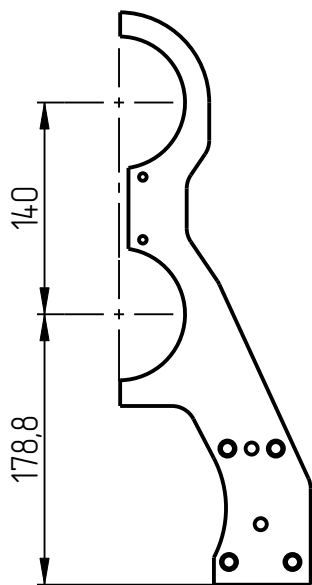


Neckring holder DGK-401-011

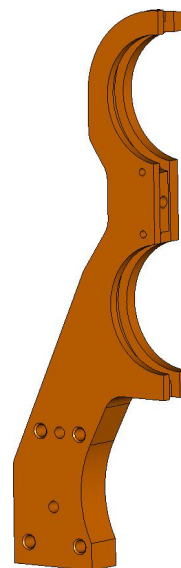
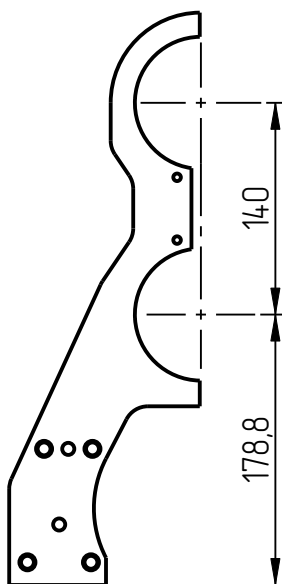


Neckring holder DGK-401-011 Specification

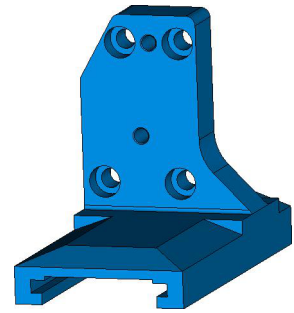
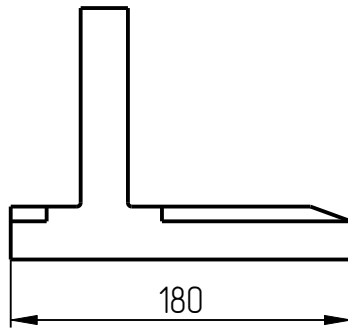
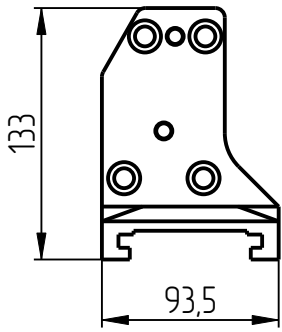
№ pos.	Code	Name	Qty
Parts			
1	DGK-401-011-001	Neckring holder RH	1
2	DGK-401-011-002	Neckring holder LH	1
3	DGK-401-011-003	Right support	1
4	DGK-401-011-004	Left support	1
5	DGK-401-011-005	Lock	4
6	DGK-401-011-006	Stop	2
Unified parts			
7	DGK-401-STANDART-02-03_19	Knob	2
8	DGK-401-STANDART-02-04X40	Spring	2
9	DGK-401-STANDART-03-127	Leaf spring L-127	4
Standard parts			
10	Spring pin Ø2,50x18 DIN 1481		2
11	Pin 8Γx45 DIN 5352		2
12	Screw M10x45 DIN 912		8



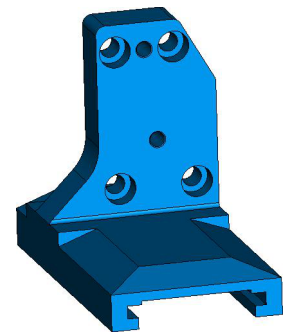
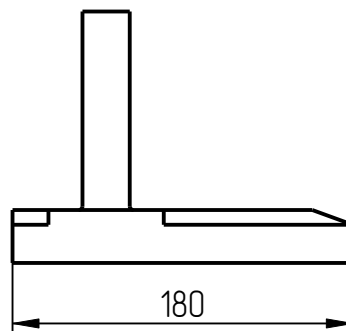
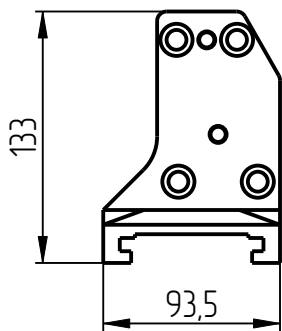
1. Neckring holder RH
DGK-401-011-001



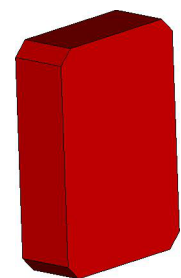
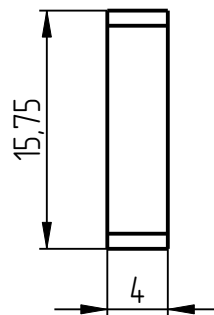
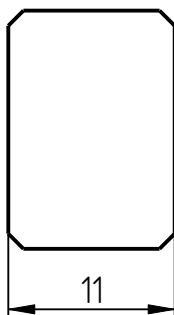
2. Neckring holder LH
DGK-401-011-002



3. Right support
DGK-401-011-003

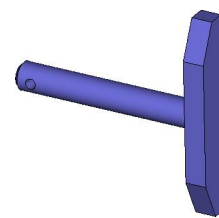
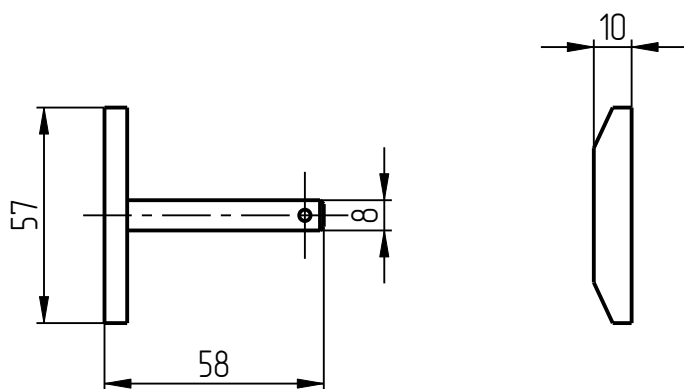


4. Left support
DGK-401-011-004



5. Stop
DGK-401-011-005

401



6. Lock
DGK-401-011-006