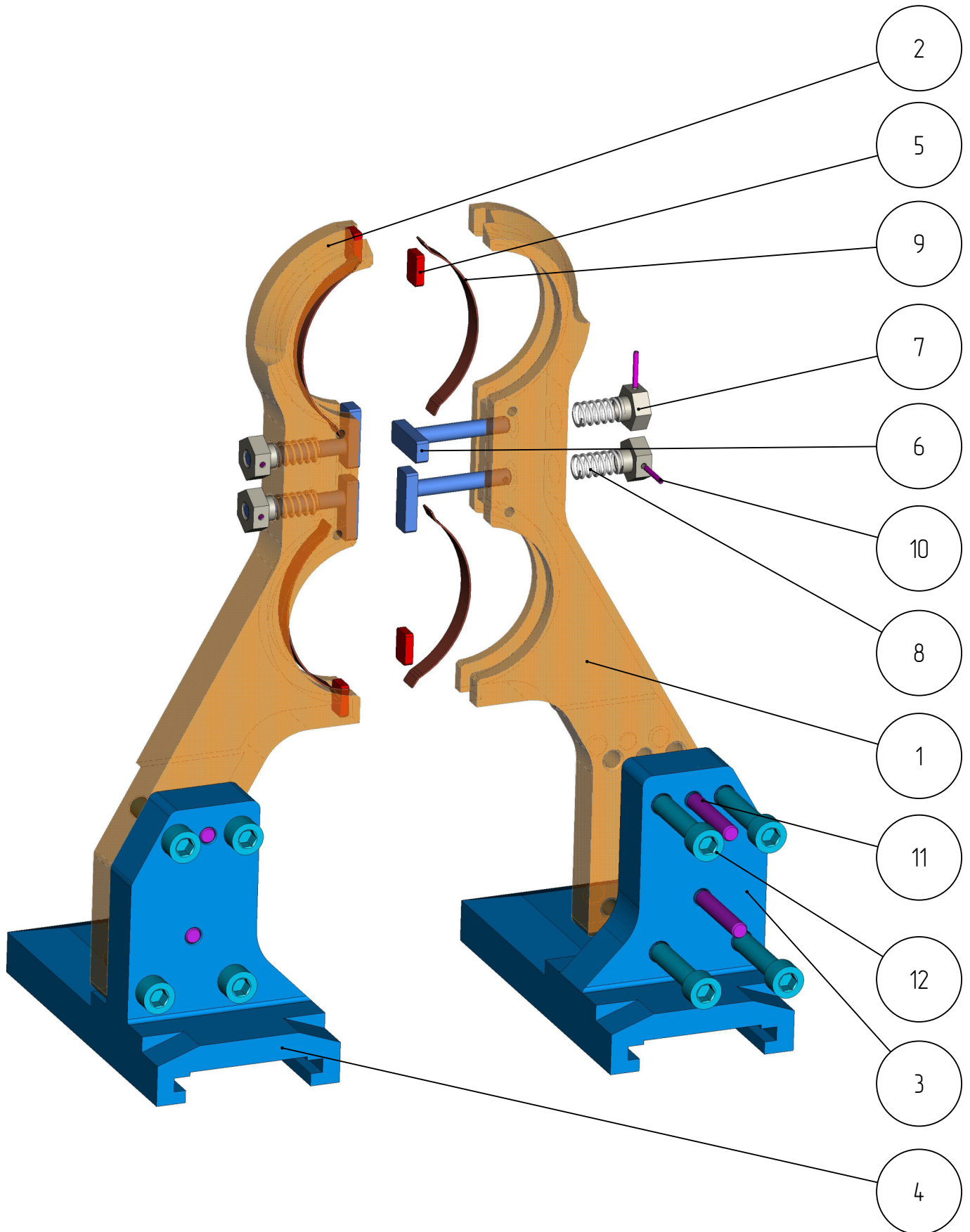


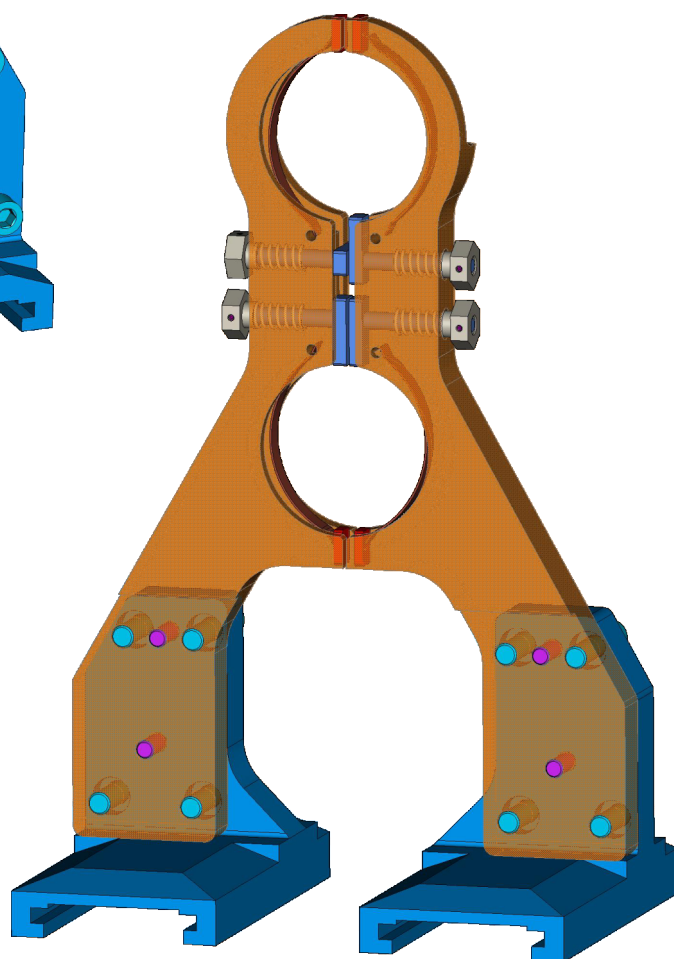
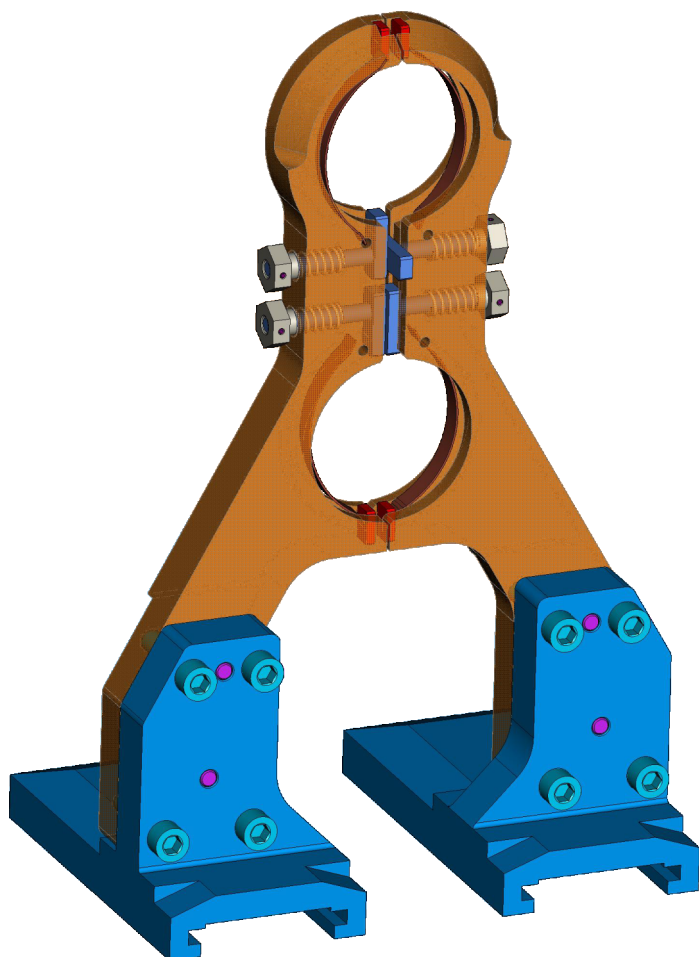
401

DGK-401-010
NECKRING HOLDER
(001.DGK.AL.77)

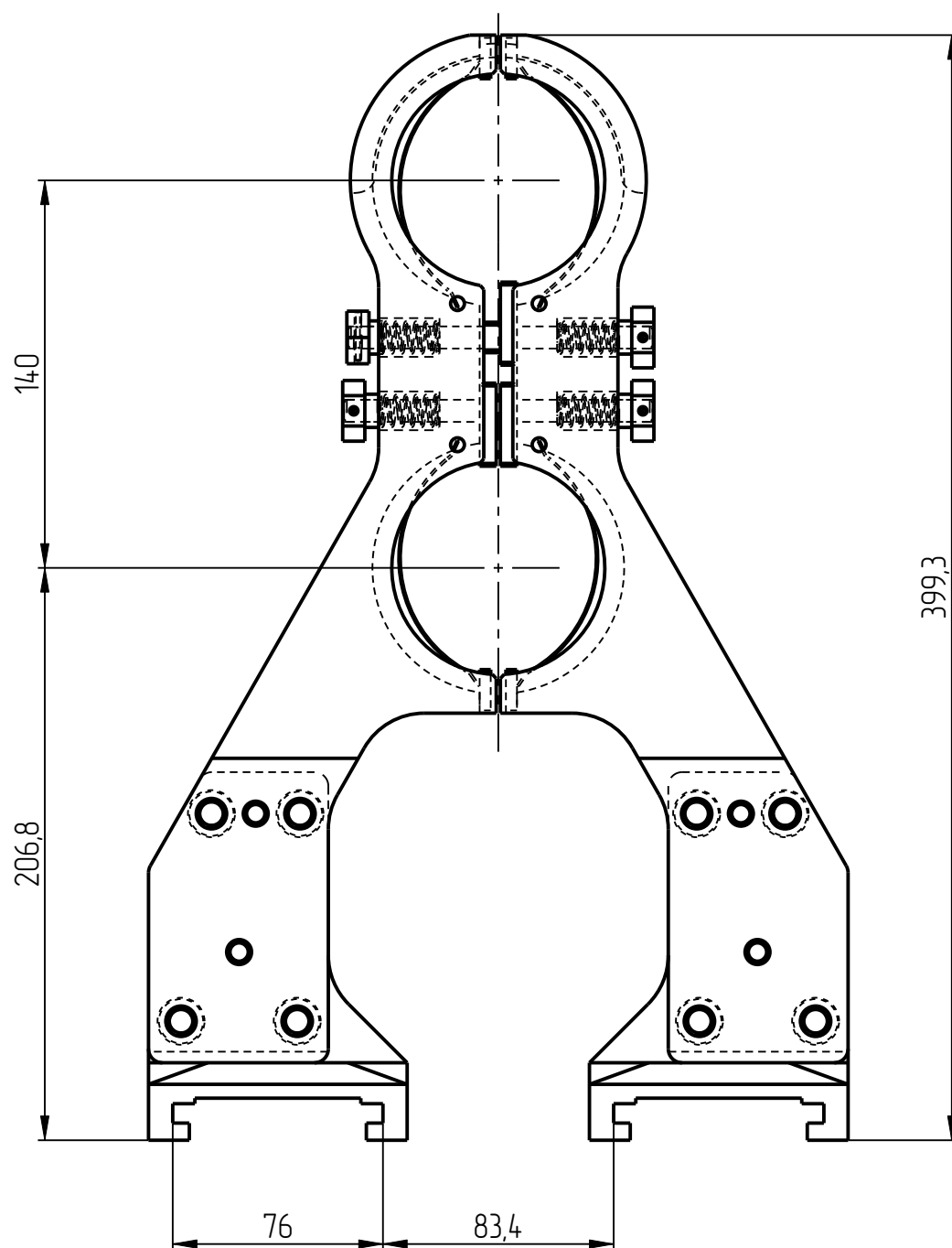
Neckring holder
DGK-401-010



Neckring holder
DGK-401-010

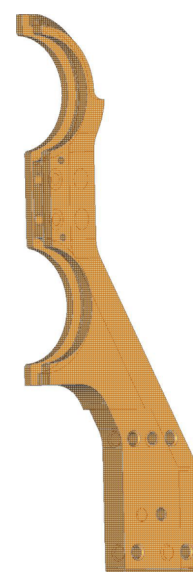
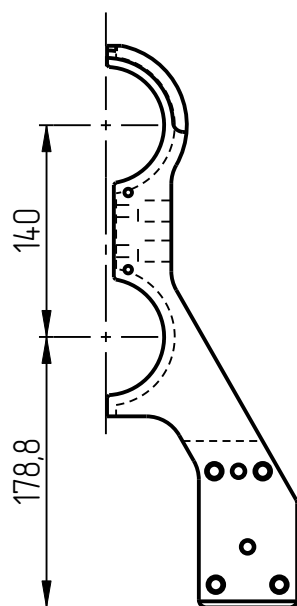


Neckring holder
DGK-401-010

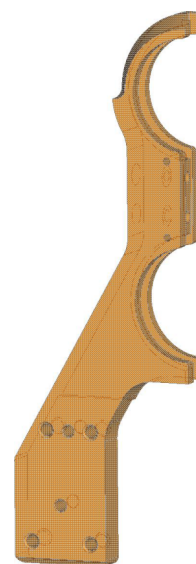
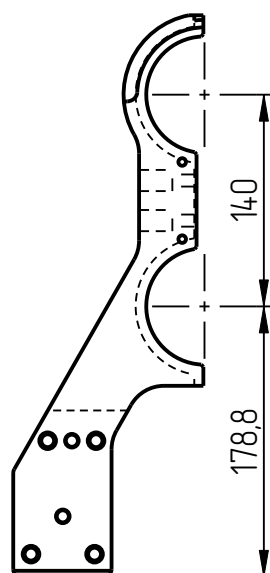


Neckring holder DGK-401-002 Specification

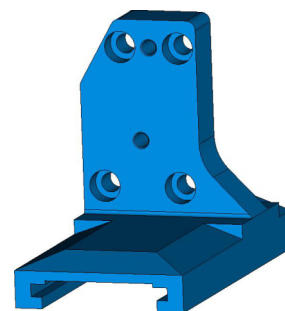
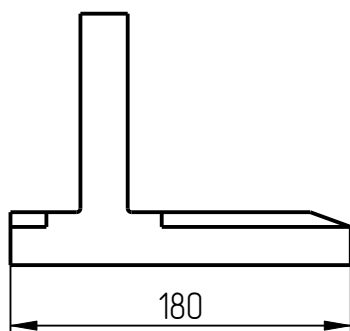
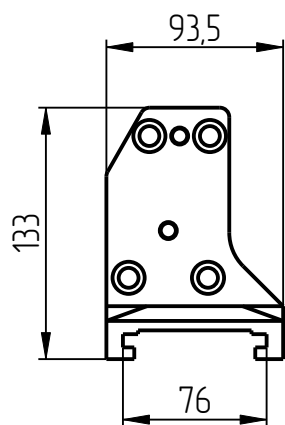
№ pos.	Code	Name	Qty
Parts			
1	DGK-401-010-001	Neckring holder RH	1
2	DGK-401-010-002	Neckring holder LH	1
3	DGK-401-010-003	Right support	1
4	DGK-401-010-004	Left support	1
5	DGK-401-010-005	Stop	4
6	DGK-401-010-006	Lock	4
Unified parts			
7	DGK-401-STANDART-02-03_19	Knob	4
8	DGK-401-STANDART-02-04X26	Spring	4
9	DGK-401-STANDART-03-105	Leaf spring L-105	4
Standard parts			
10	Spring pin Ø2,50x18 DIN 1481		4
11	Pin 8Гx45 DIN 5352		4
12	Screw M10x45 DIN 912		8



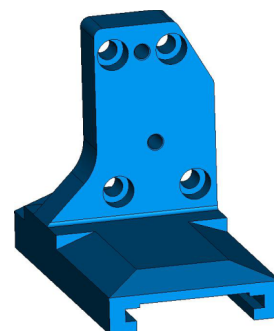
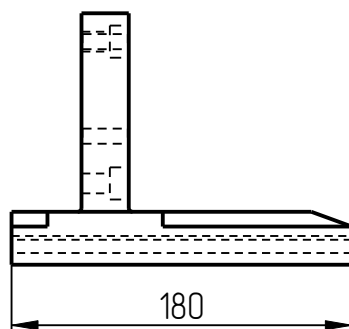
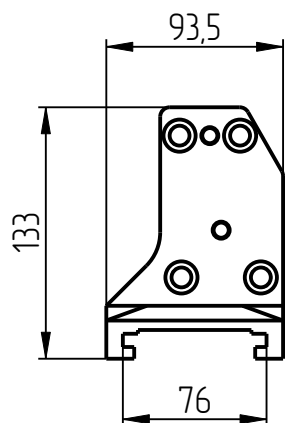
1. Neckring holder RH
DGK-401-010-001



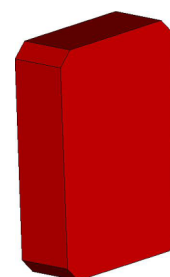
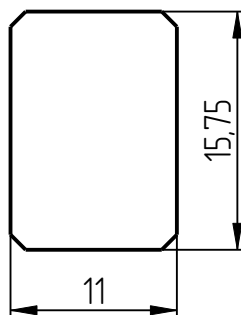
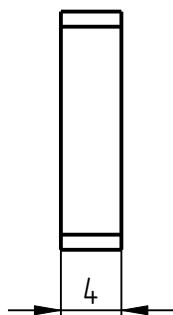
2. Neckring holder LH
DGK-401-010-002



3. Right support
DGK-401-010-003

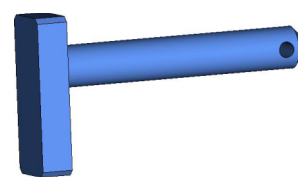
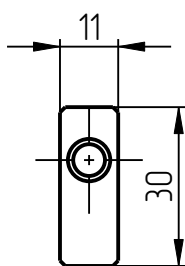
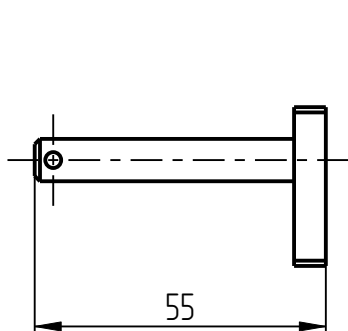


4. Left support
DGK-401-010-004



5. Stop
DGK-401-010-005

401



6. DGK-401-010-006
Lock