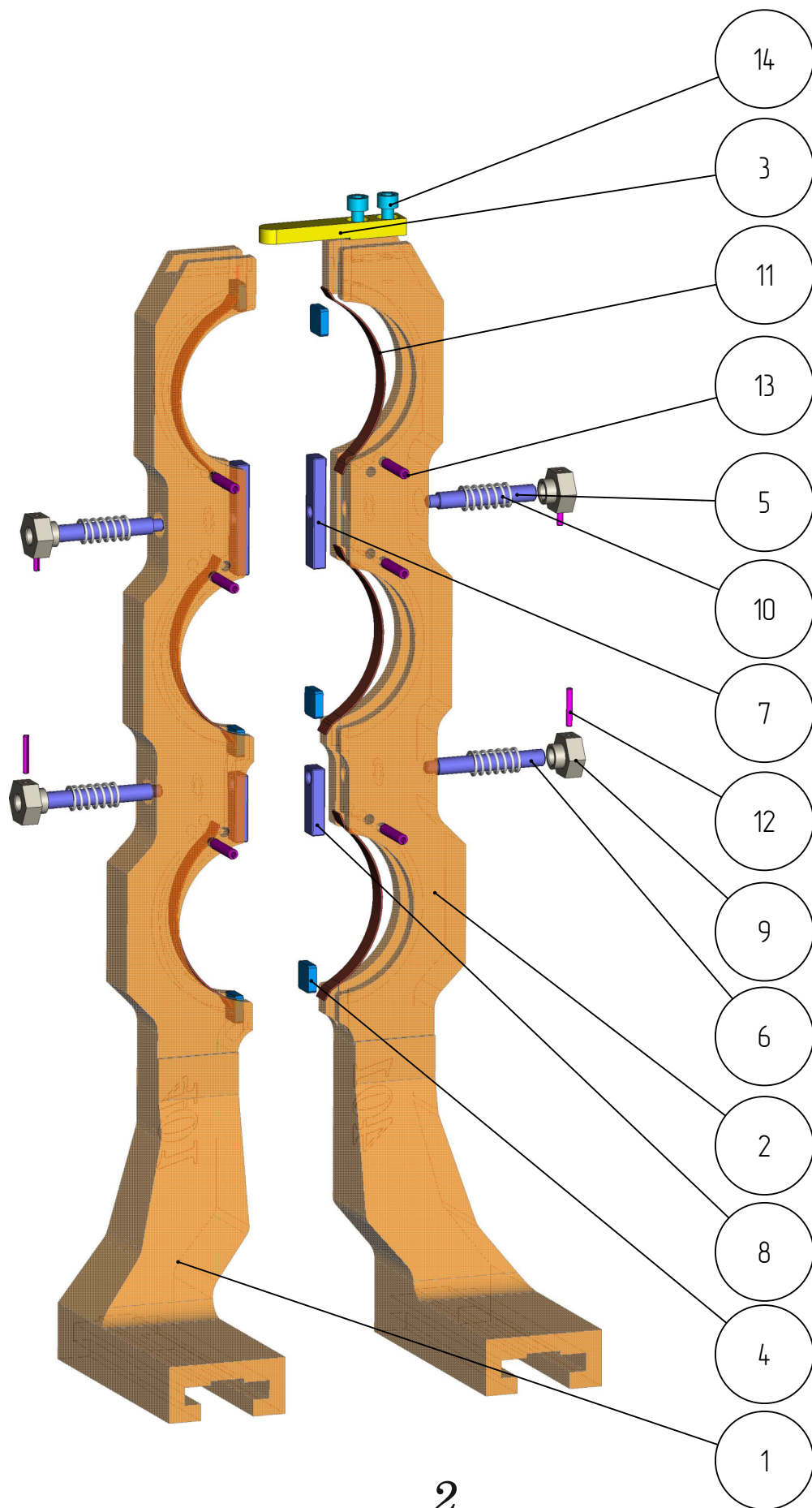


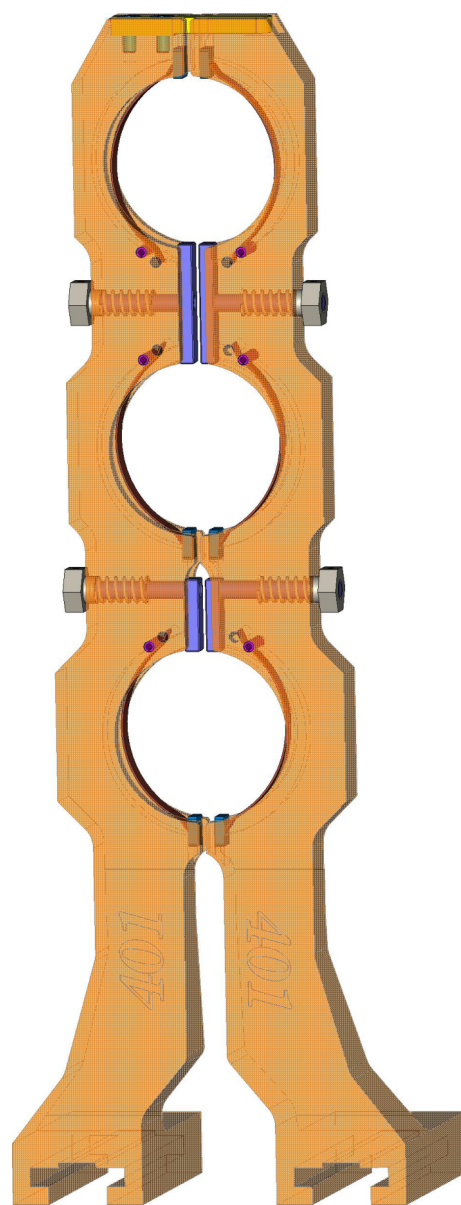
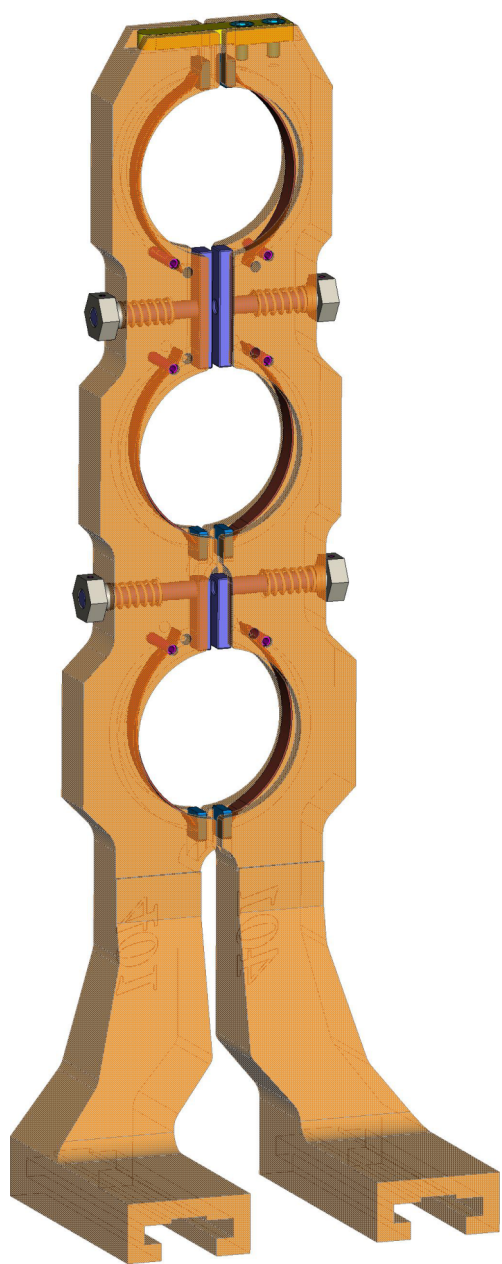
401

DGK-401-009
NECKRING HOLDER
(AL-138-TG.005.002.001)

Neckring holder
 DGK-401-009

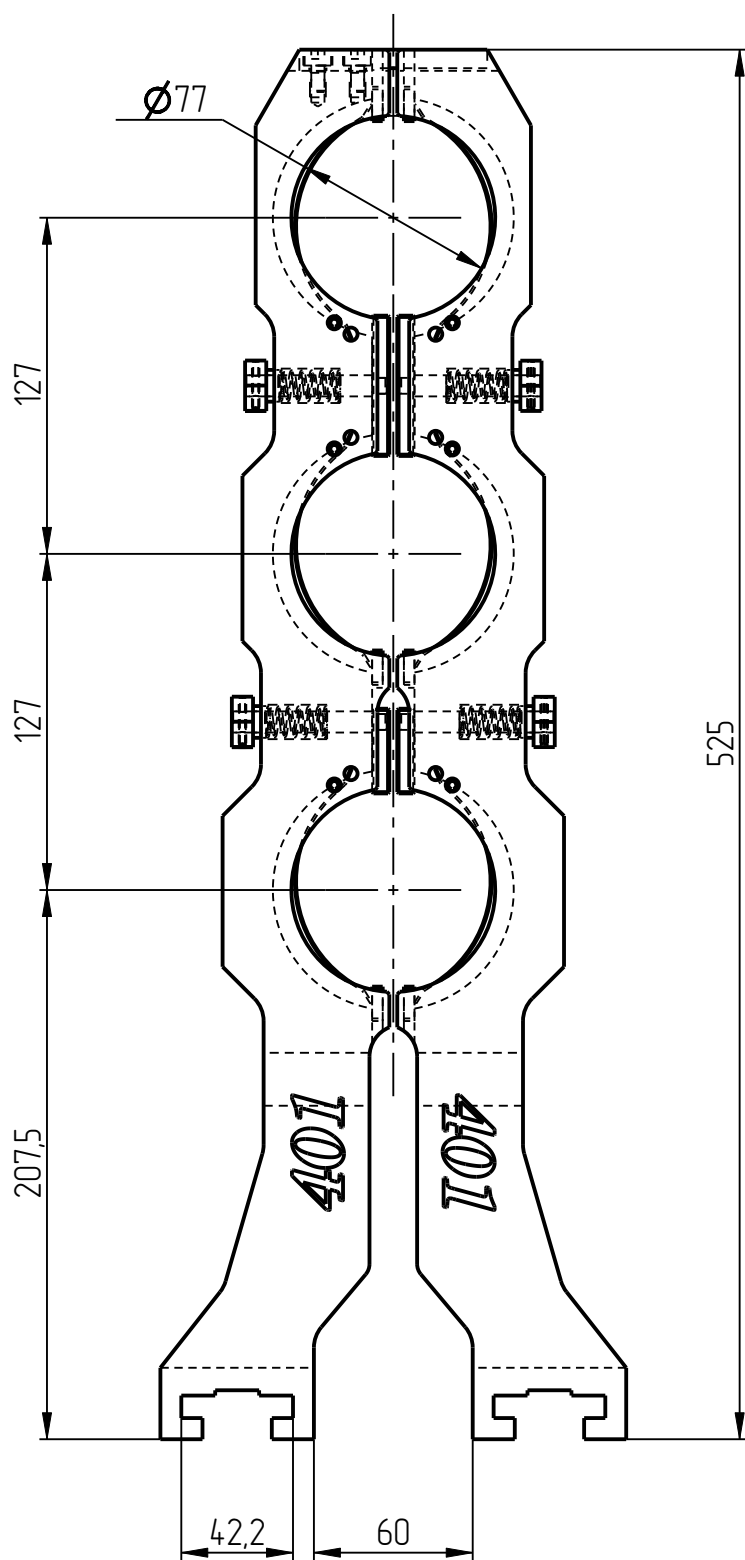


Neckring holder
DGK-401-009



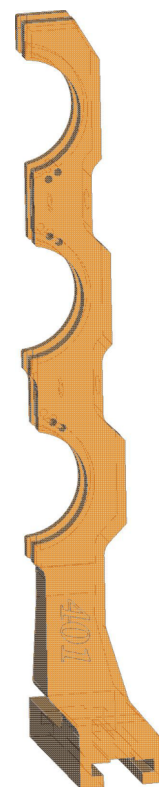
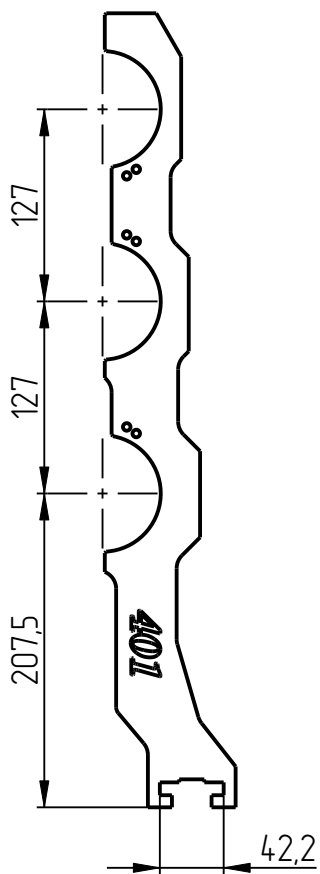
401

Neckring holder
DGK-401-009

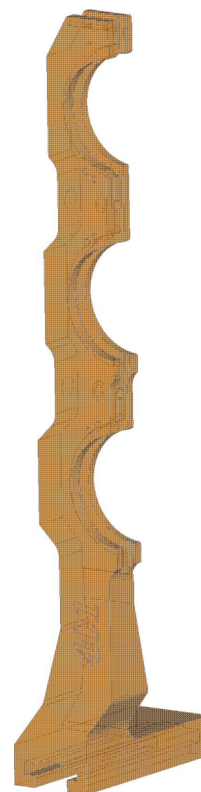
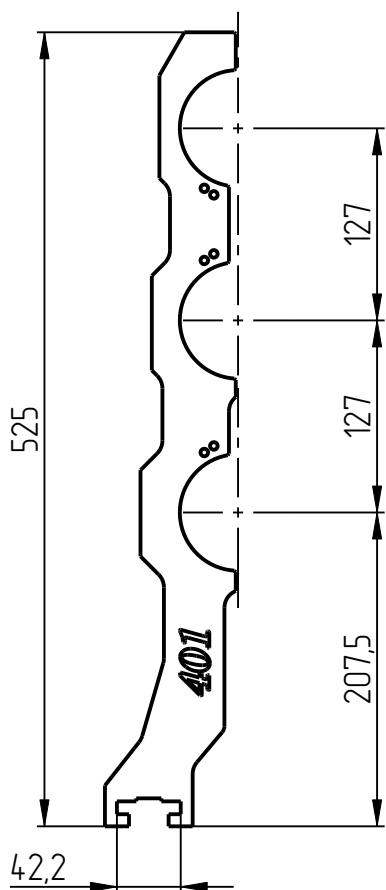


Neckring holder DGK-401-009 Specification

№ pos.	Code	Name	Qty
Parts			
1	DGK-401-009-001	Neckring holder RH	1
2	DGK-401-009-002	Neckring holder LH	1
3	DGK-401-009-003	Lock	1
4	DGK-401-009-004	Stop	6
Unified parts			
5	DGK-401-STANDART-02-01-048	Plug 53,50x48	2
6	DGK-401-STANDART-02-01-053	Plug 58,50x53	2
7	DGK-401-STANDART-02-02-26_5-50	Lock 26,50-53	2
8	DGK-401-STANDART-02-02-5-32	Lock 5-32	2
9	DGK-401-STANDART-02-03_19	Knob	4
10	DGK-401-STANDART-02-04X26	Spring	4
11	DGK-401-STANDART-03-105	Leaf spring L-105	6
Standard parts			
12	Spring pin	Ø2,50x18 DIN 1481	4
13	Spring pin	Ø5x24 DIN 1481	6
14	Screw	M6x10 DIN 912	2

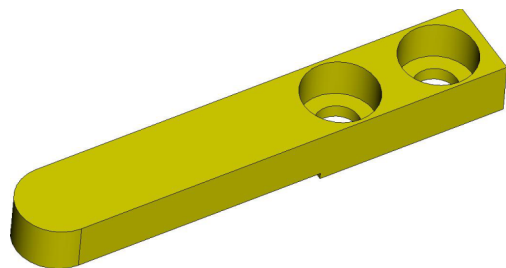
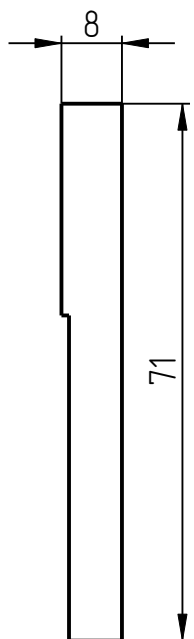
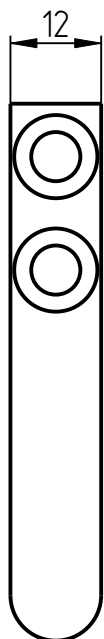


1. Neckring holder RH
DGK-401-009-001

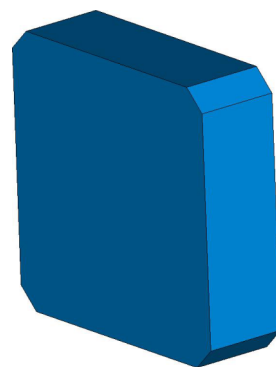
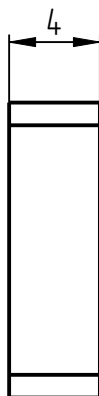
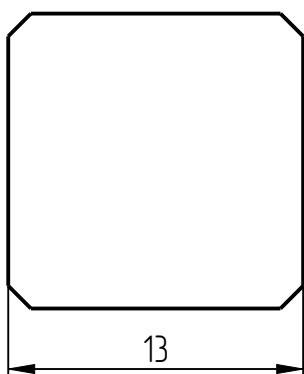


2. Neckring holder LH
DGK-401-009-002

401



3. Lock
DGK-401-009-003



4. Stop
DGK-401-009-004