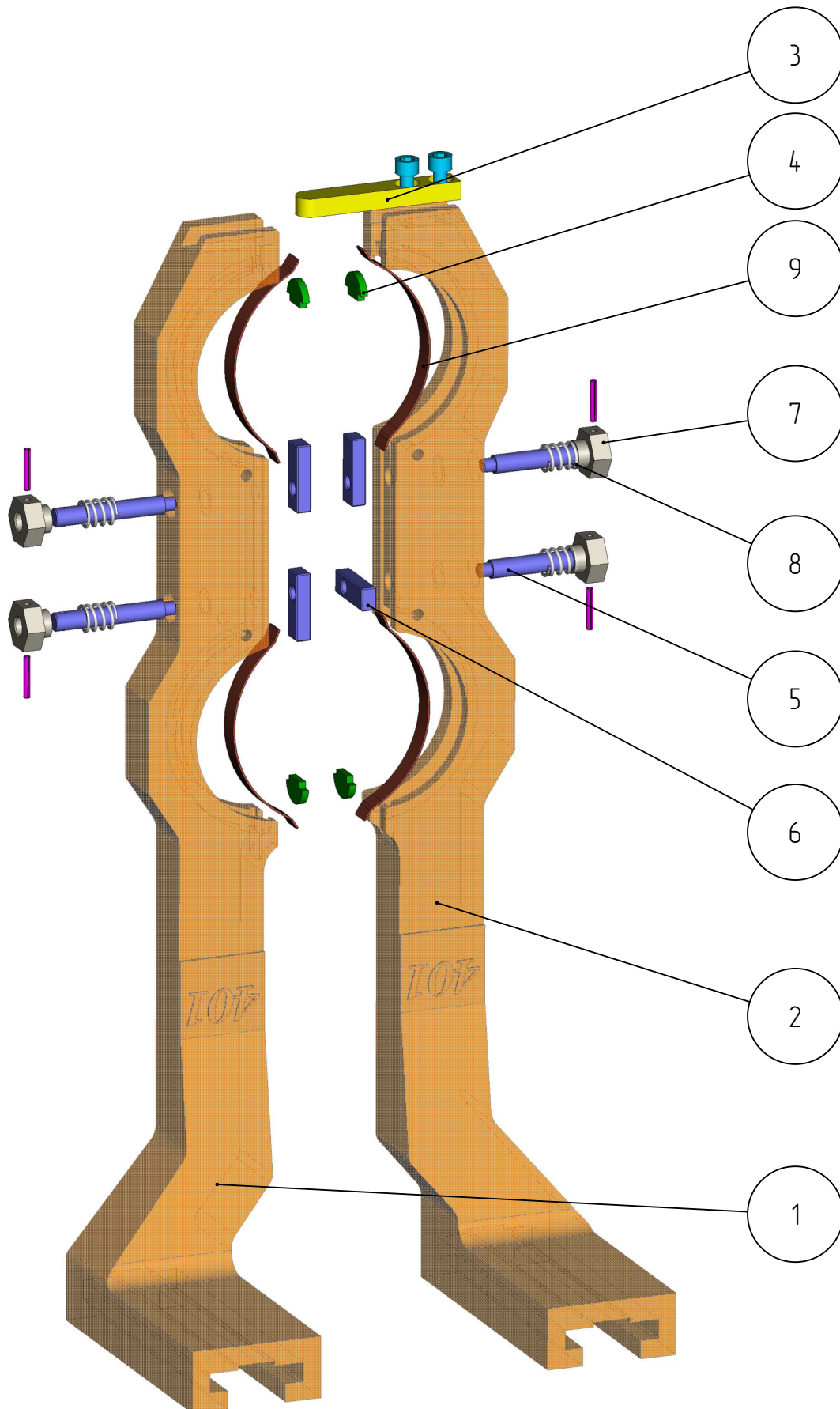


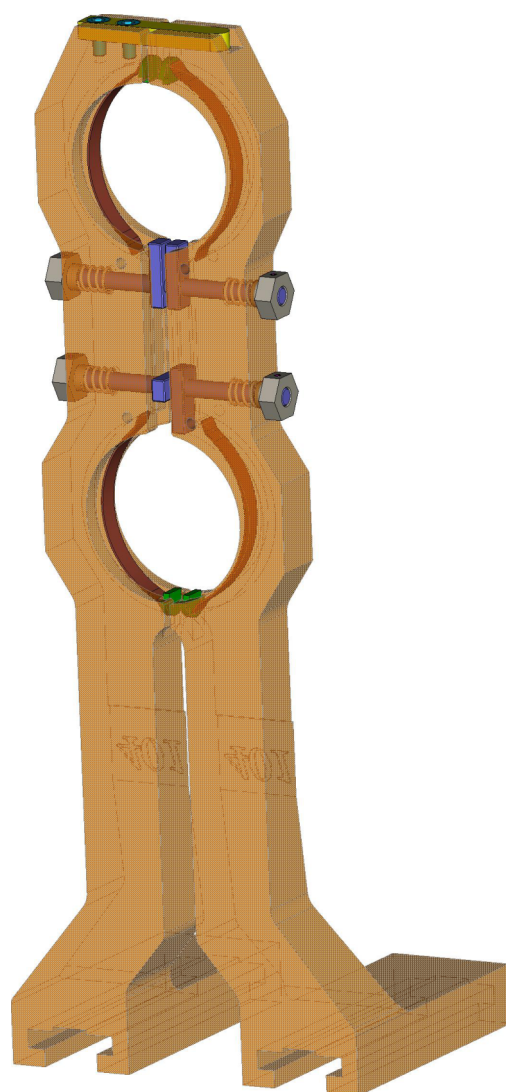
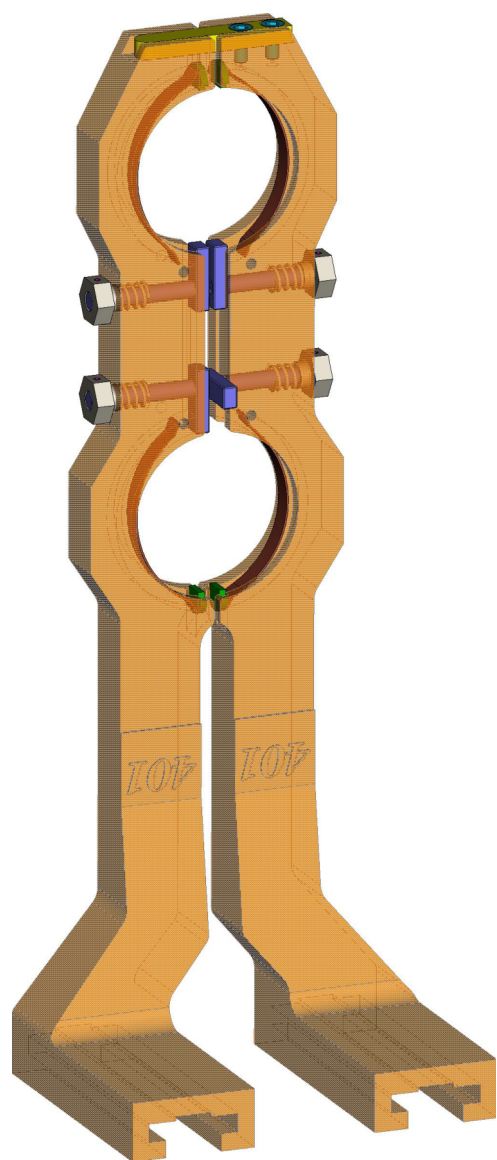
401

*DGK-401-008*  
*NECKRING HOLDER*  
*(DGK-AL-2-KE)*

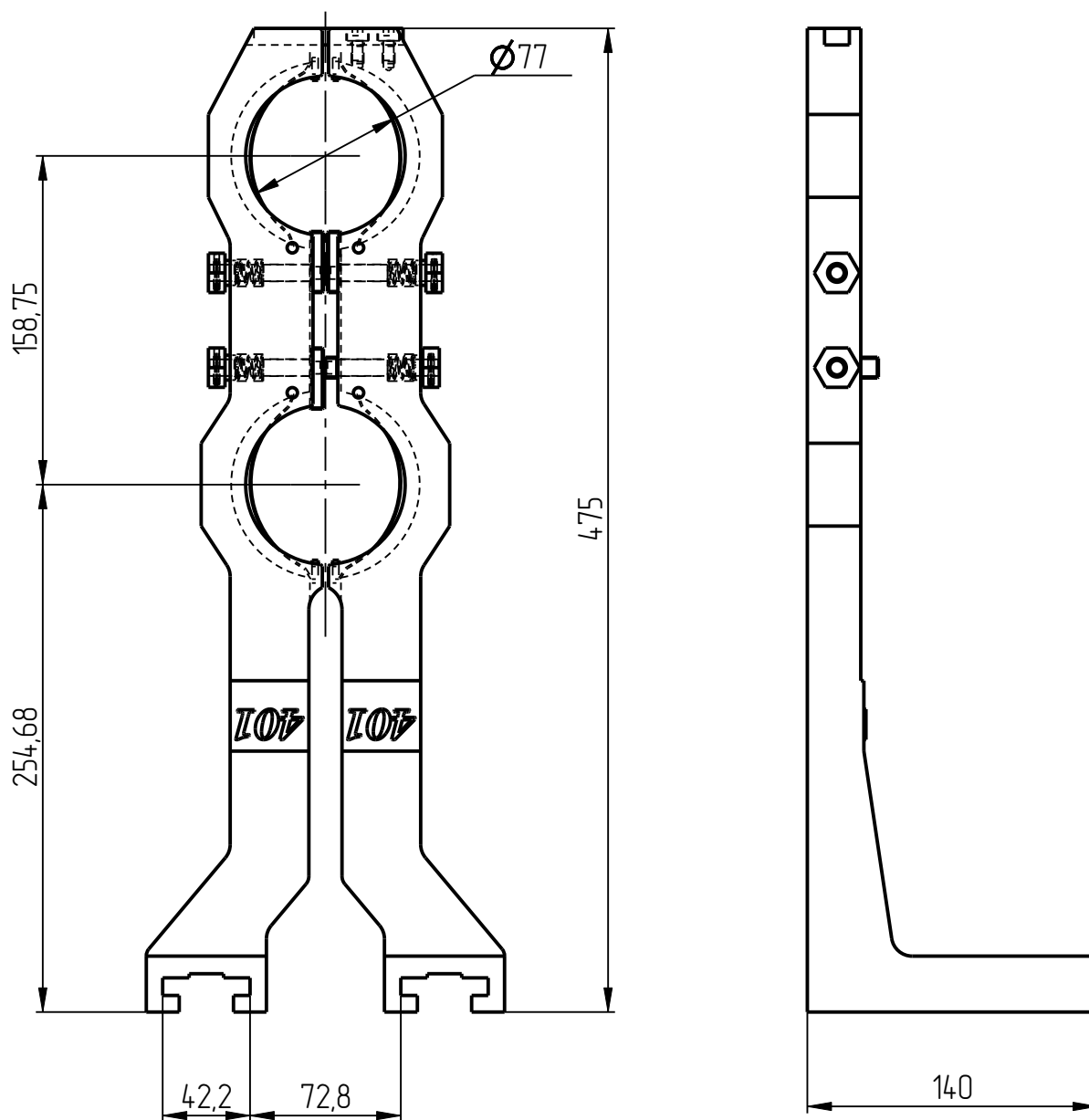
Neckring holder  
DGK-401-008



Neckring holder  
DGK-401-008



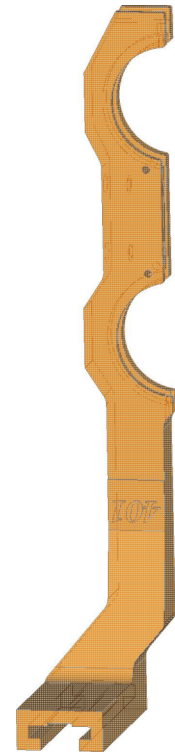
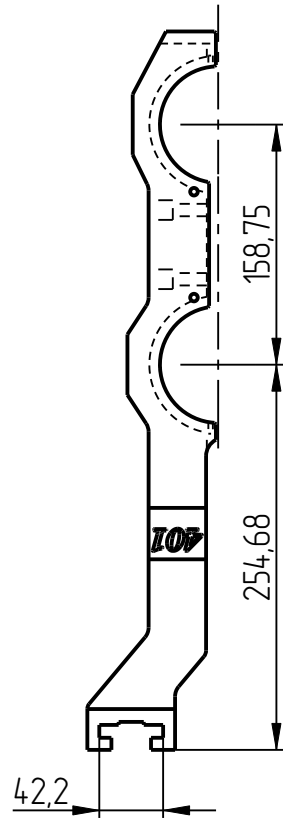
Neckring holder  
DGK-401-008



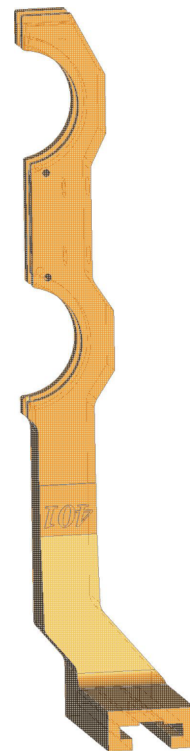
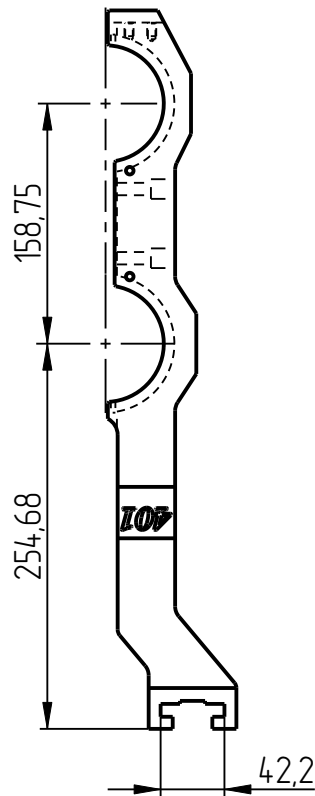
## Neckring holder DGK-401-008 Specification

№ pos.	Code	Name	Qty
<b>Parts</b>			
1	DGK-401-008-001	Neckring holder RH	1
2	DGK-401-008-002	Neckring holder LH	1
3	DGK-401-008-003	Lock	1
<b>Unified parts</b>			
4	DGK-401-STANDART-01	Stop	4
5	DGK-401-STANDART-02-01-049	Plug 54,50x49	4
6	DGK-401-STANDART-02-02-20-29_5	Lock 20-29,50	4
7	DGK-401-STANDART-02-03_19	Knob	4
8	DGK-401-STANDART-02-04X16	Spring	4
9	DGK-401-STANDART-03-105	Leaf spring L-105	4
<b>Standard parts</b>			
10	Spring pin      Ø2,50x18 DIN 1481		4
11	Screw M6x10 DIN 912		2

401

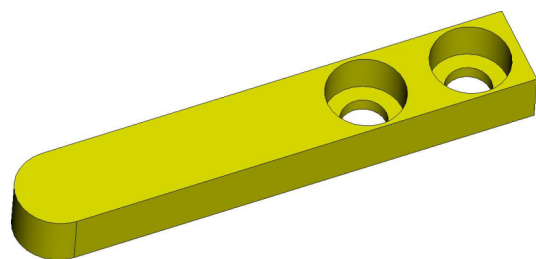
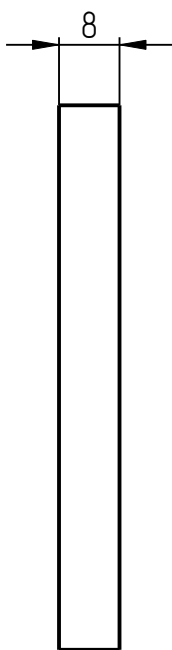
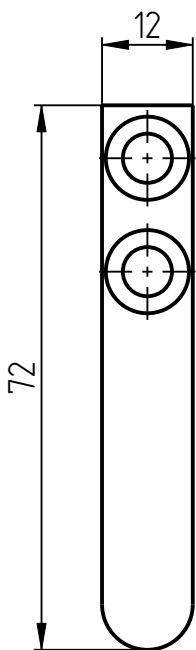


1. Neckring holder RH  
DGK-401-008-001



2. Neckring holder LH  
DGK-401-008-002

401



3. Lock  
DGK-401-008-003