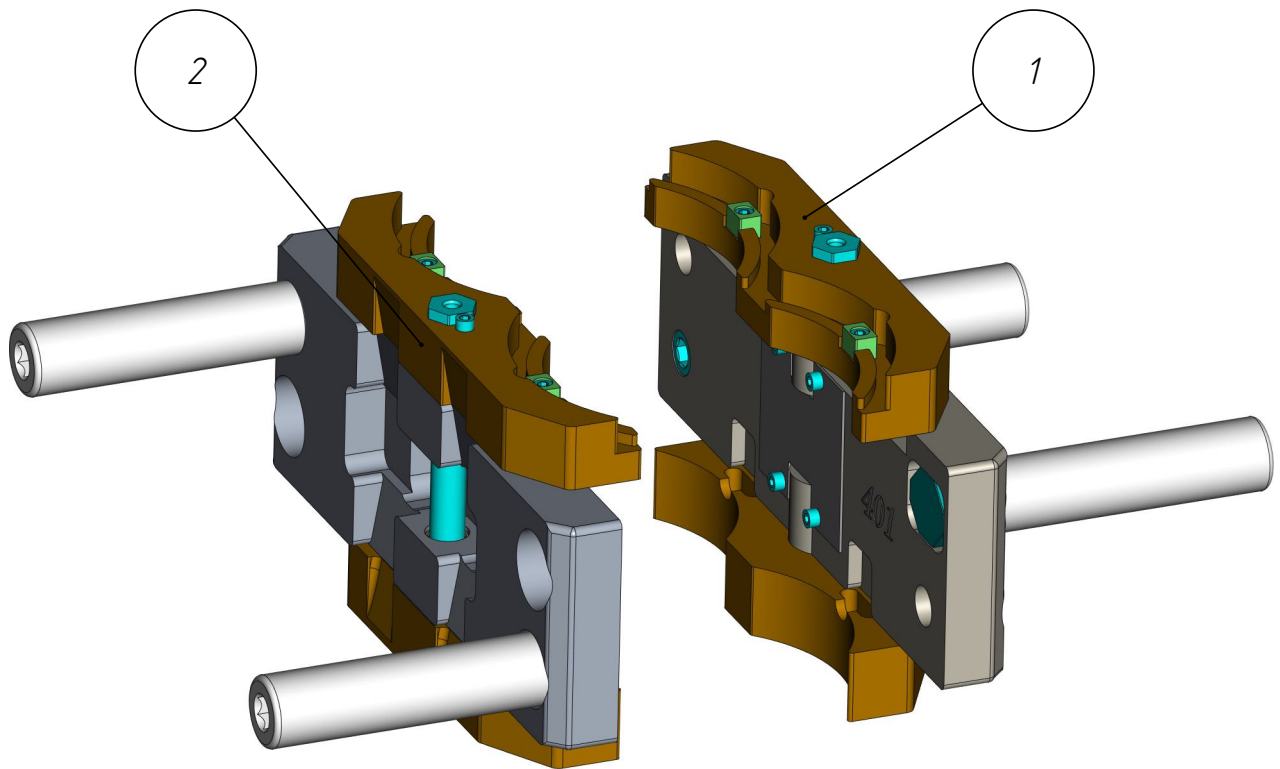


401

DF-401-029

*Form Holder
(400-D-129)*



DF-401-029

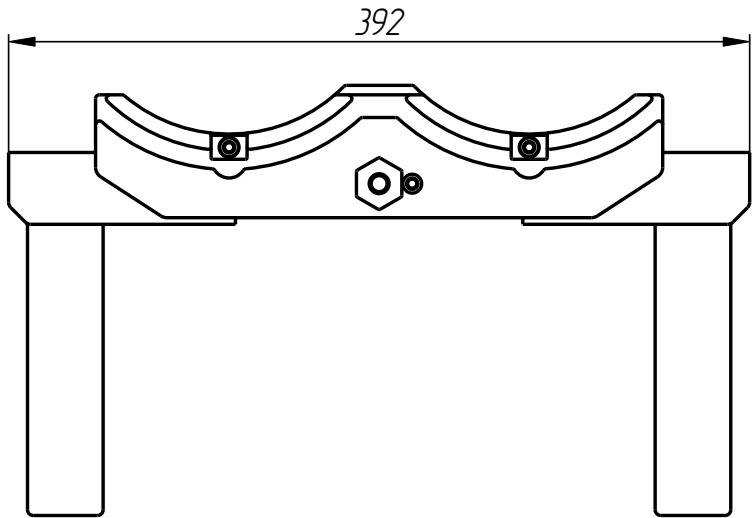
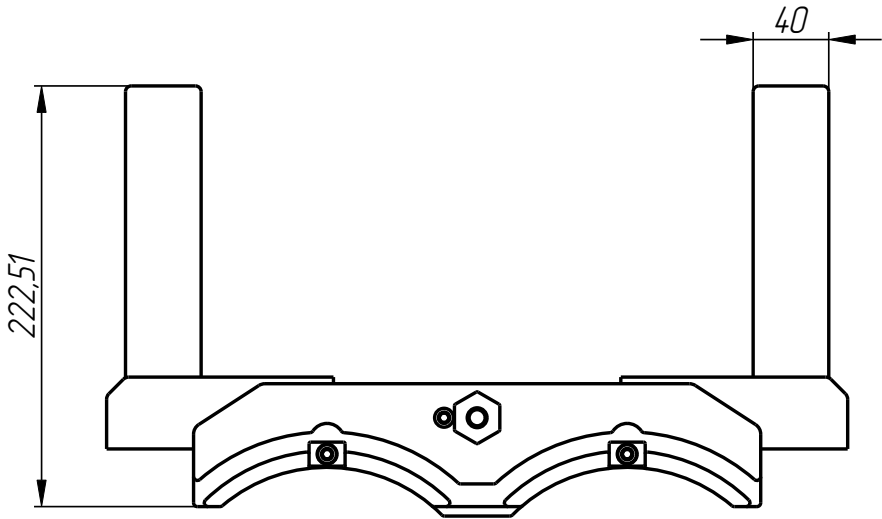
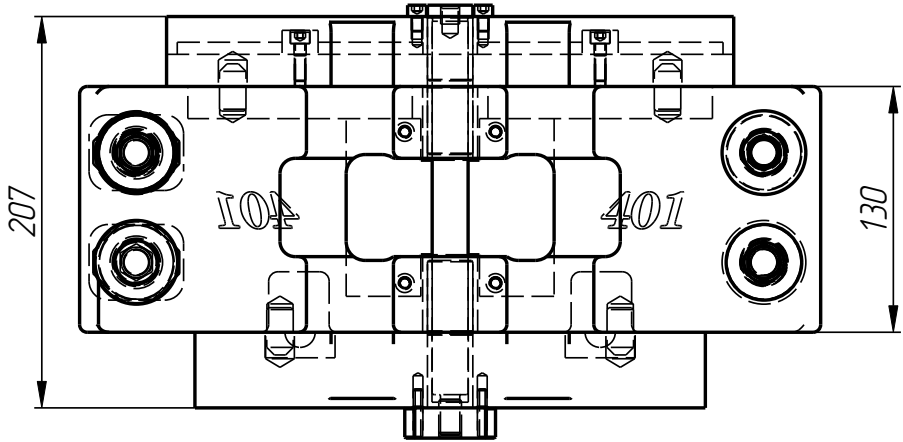
Form Holder
(400-D-129)

Specification

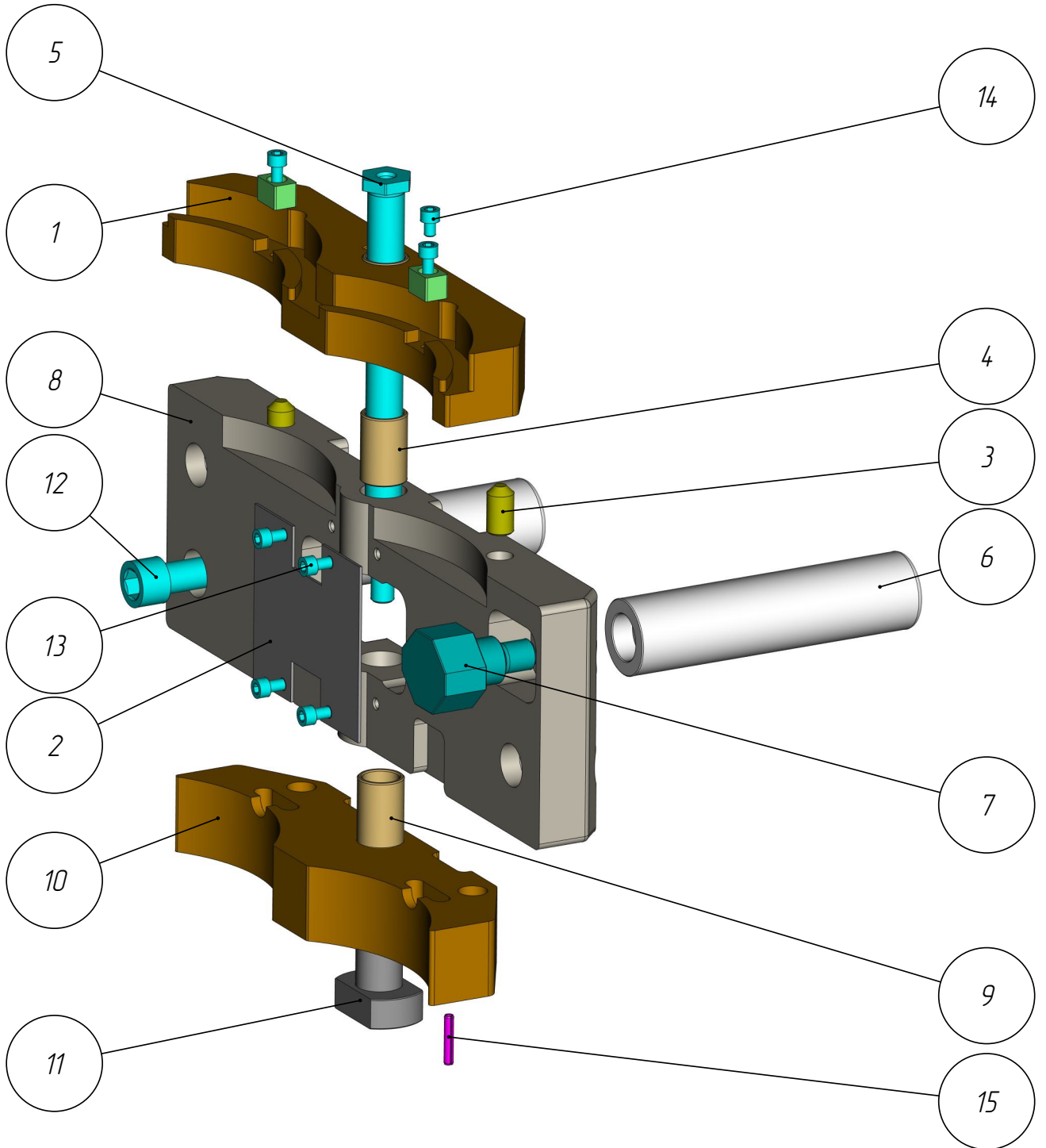
<i>Nº pos.</i>	<i>Code</i>	<i>Name</i>	<i>Qty</i>
<i>Сборочные единицы:</i>			
1	DF-401-029-001	Form Holder	1
2	DF-401-029-002	Form Holder	1

Form Holder
(400-D-129)
DF-401-029

401



DF-401-029



DF-401-029-001

DF-401-029-001

Form Holder

Specification

<i>Nº pos.</i>	<i>Code</i>	<i>Name</i>	<i>Qty</i>
----------------	-------------	-------------	------------

Сборочные единицы:

1	DF-401-029-001-004	Upper sponge assembly	1
---	--------------------	-----------------------	---

Parts:

2	DF-401-028-001-002	Plate	1
3	DF-401-028-001-003	Pin	4
4	DF-401-028-001-006-002	Bushing	1
5	DF-401-028-001-008	Axis	1
6	DF-401-028-001-011	Column	2
7	DF-401-028-001-012	Screw	1
8	DF-401-029-001-001	Plate is right	1
9	DF-401-029-001-002	Bushing	1
10	DF-401-029-001-003	Lower sponge	1
11	DF-401-029-001-005	Bushing	1

Standard parts:

12	Screw M16x55 DIN 912	1
13	Screw M6x10 DIN 912	4
14	Screw M6x8 DIN 912	1
15	Spring pin ϕ 5x26 DIN 1481	1

Form Holder
DF-401-029-001

401

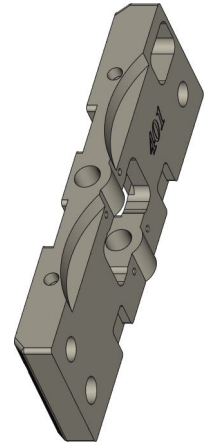
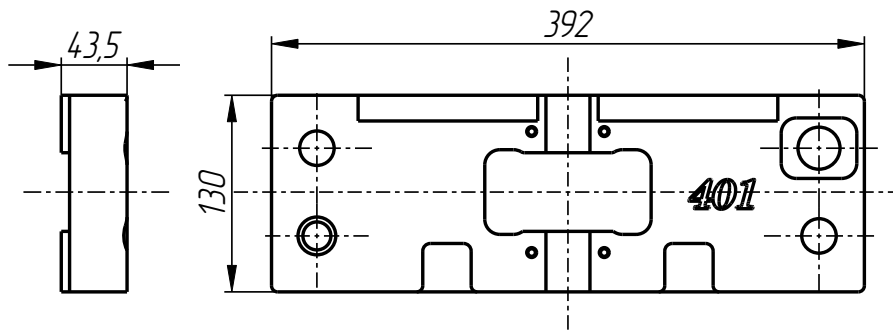
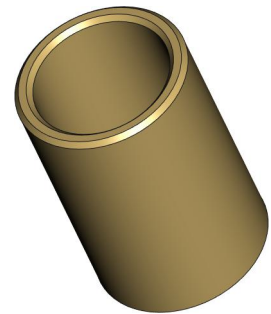
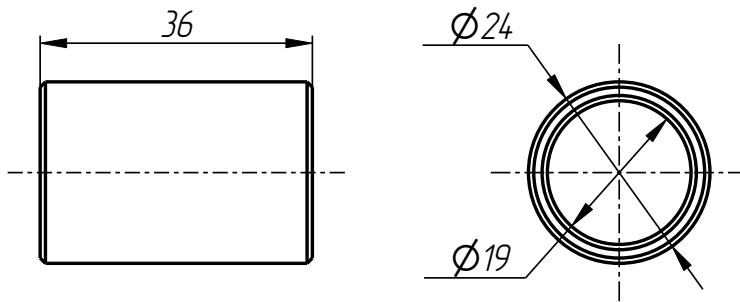
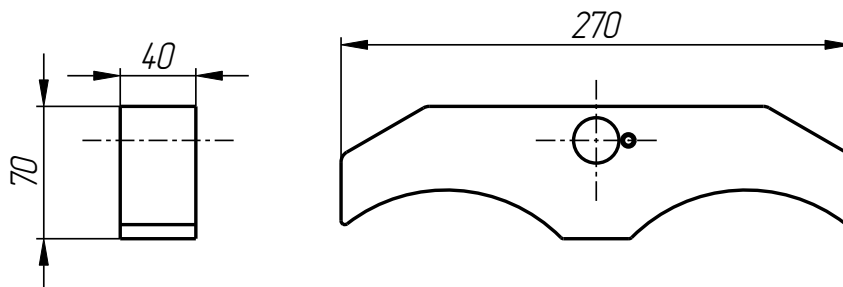


Plate is right
DF-401-029-001-001

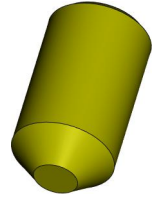
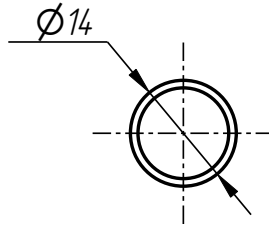
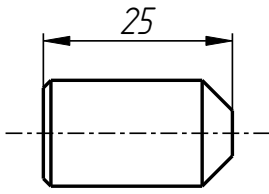


Bushing
DF-401-028-001-006-002



Lower sponge
DF-401-029-001-003

DF-401-029-001



Pin
DF-401-028-001-003

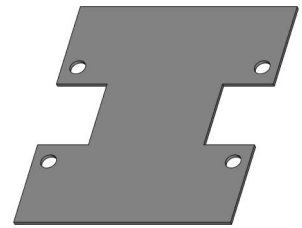
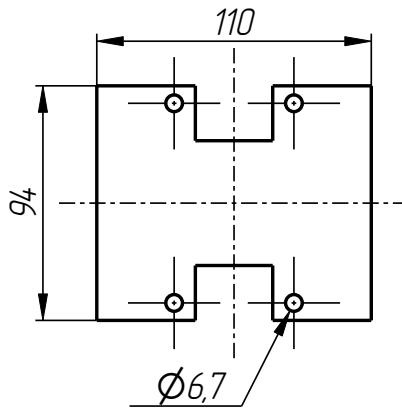
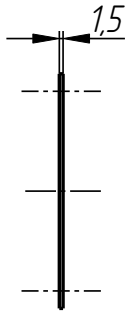
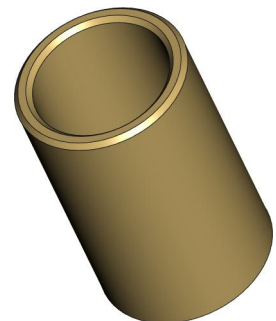
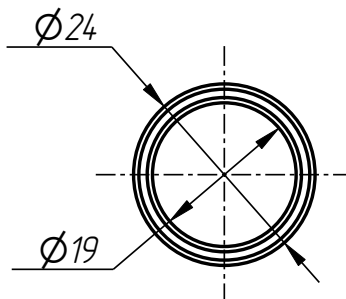
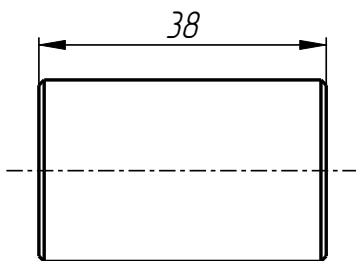
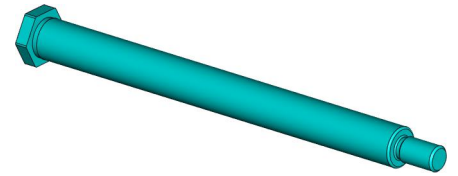
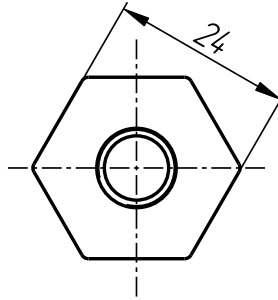
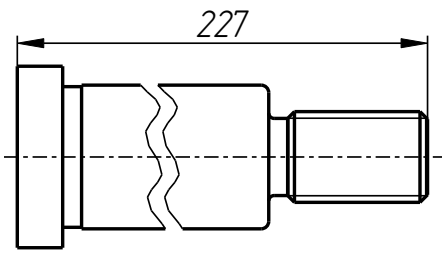


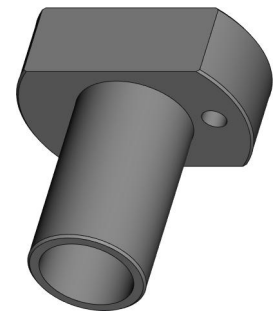
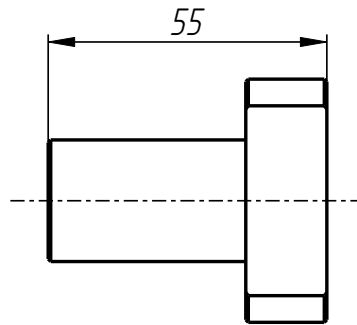
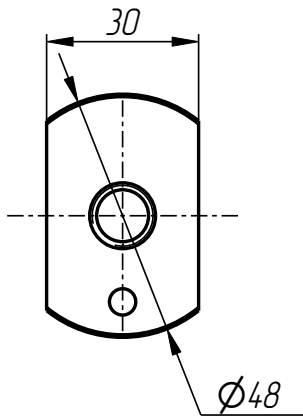
Plate
DF-401-028-001-002



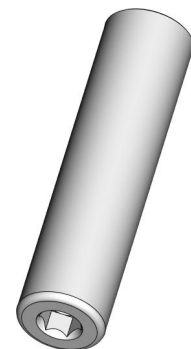
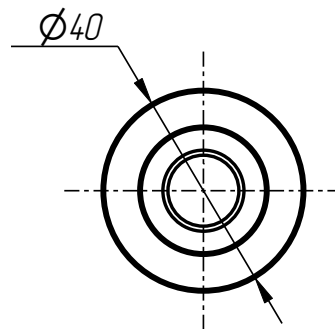
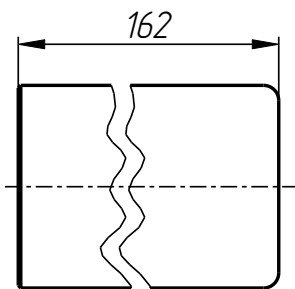
Bushing
DF-401-029-001-002



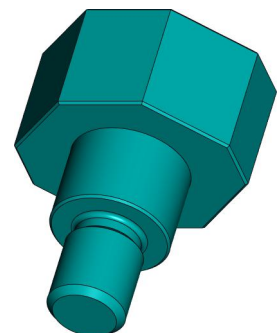
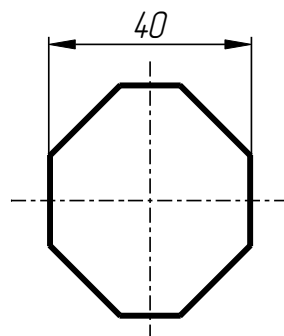
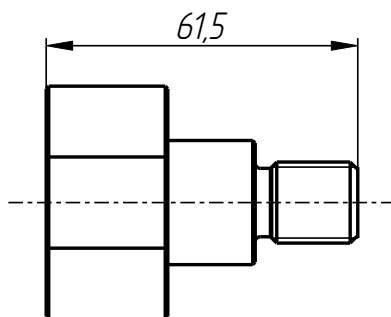
Axis
DF-401-028-001-008



Bushing
DF-401-029-001-005

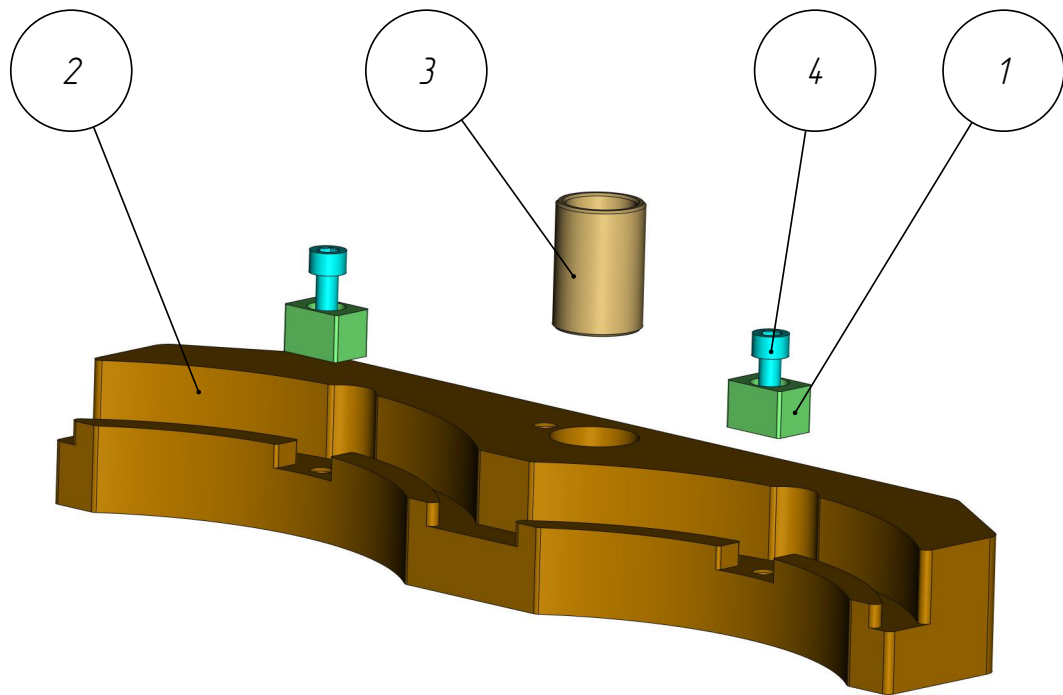


Column
DF-401-028-001-011



Screw
DF-401-028-001-012

DF-401-029-001



DF-401-029-001-004

Upper sponge assembly

Specification

Nº pos.	Code	Name	Qty
<i>Parts:</i>			
1	DF-401-028-001-007-003	Holding plate	2
2	DF-401-029-001-004-001	Upper sponge	1
3	DF-401-029-001-004-002	Bushing	1
4	Screw M6x20 DIN 912		2

Upper sponge assembly
DF-401-029-001-004

401

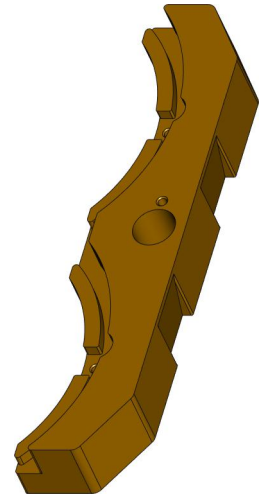
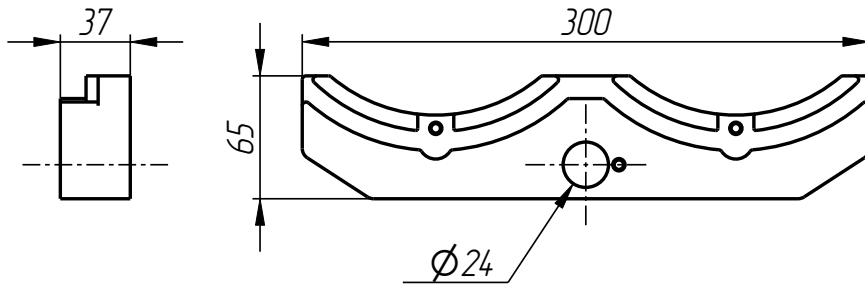
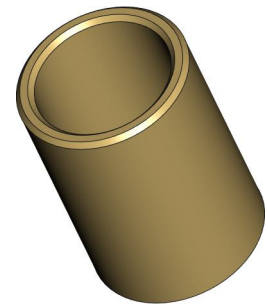
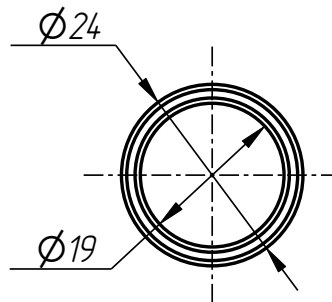
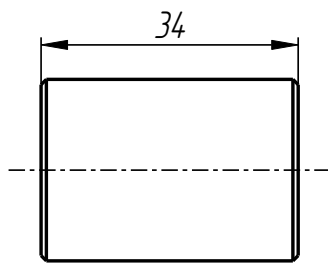
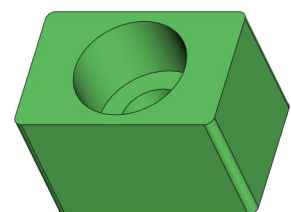
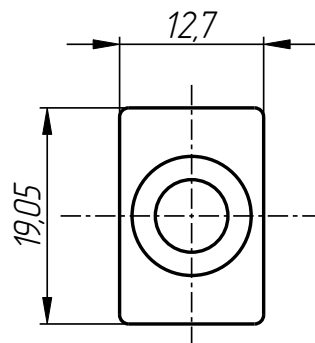
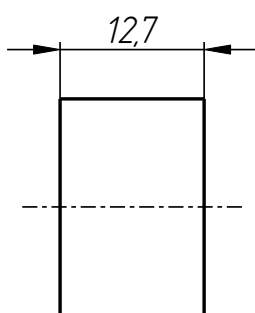


Plate left
DF-401-029-002-001

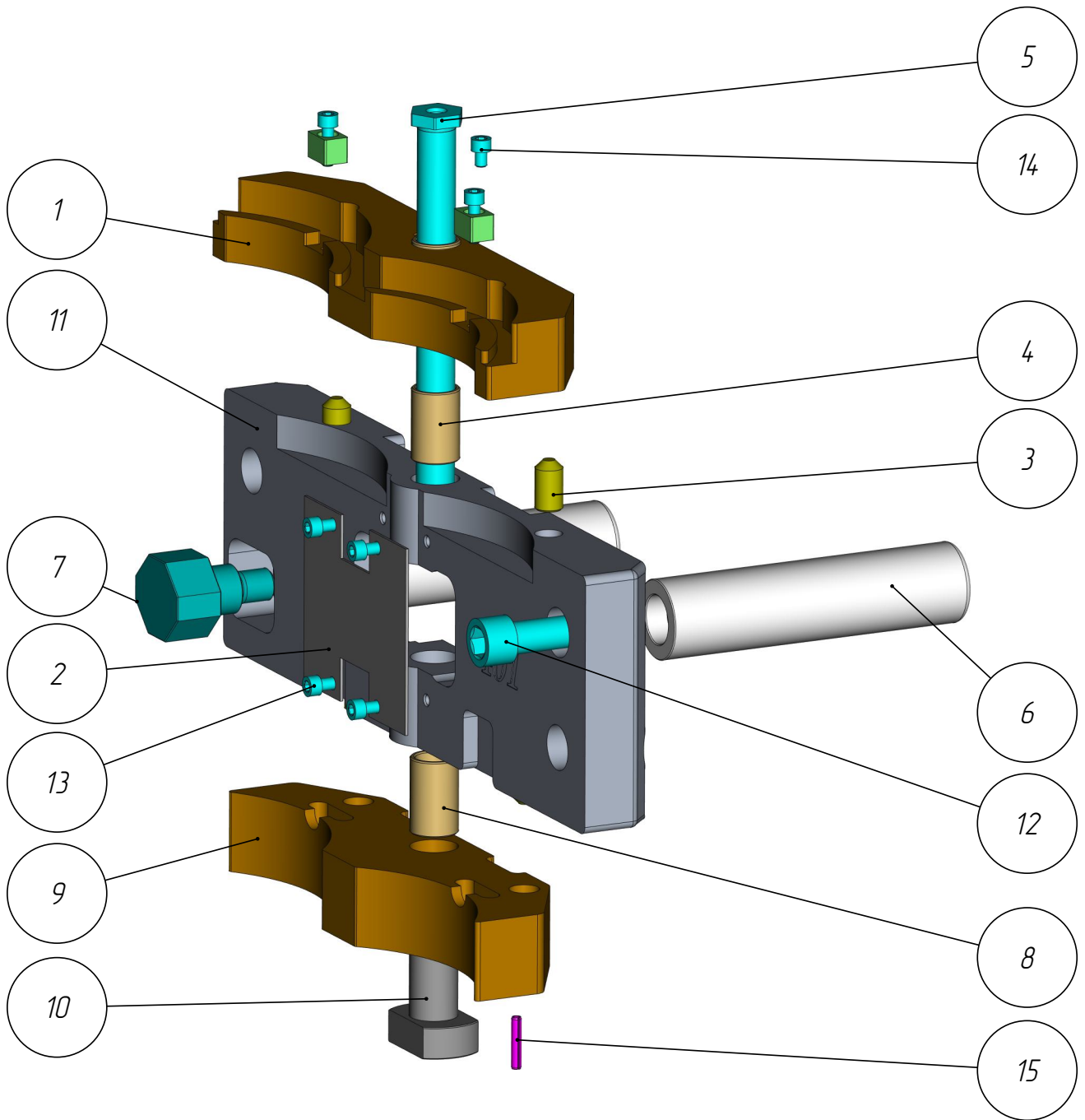


Bushing
DF-401-029-001-004-002



Holding plate
DF-401-028-001-007-003

DF-401-029-001-004



DF-401-029-002

DF-401-029-002

Form Holder

Specification

<i>Nº pos.</i>	<i>Code</i>	<i>Name</i>	<i>Qty</i>
----------------	-------------	-------------	------------

Сборочные единицы:

1	DF-401-029-001-004	Upper sponge assembly	1
---	--------------------	-----------------------	---

Parts:

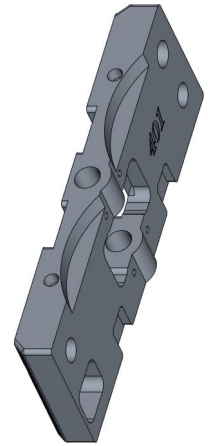
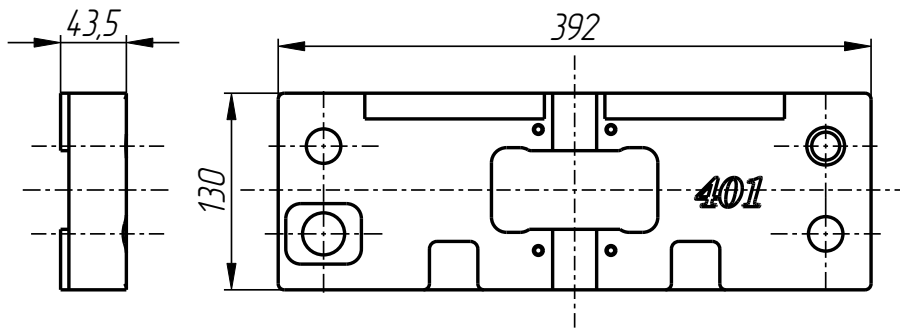
2	DF-401-028-001-002	Plate	1
3	DF-401-028-001-003	Pin	4
4	DF-401-028-001-006-002	Bushing	1
5	DF-401-028-001-008	Axis	1
6	DF-401-028-001-011	Column	2
7	DF-401-028-001-012	Screw	1
8	DF-401-029-001-002	Bushing	1
9	DF-401-029-001-003	Lower sponge	1
10	DF-401-029-001-005	Bushing	1
11	DF-401-029-002-001	Plate left	1

Standard parts:

12	Screw M16x55 DIN 912	1
13	Screw M6x10 DIN 912	4
14	Screw M6x8 DIN 912	1
15	Spring pin ϕ 5x26 DIN 1481	1

Form Holder
DF-401-029-002

401



Upper sponge
DF-401-029-001-004-001

DF-401-029-002