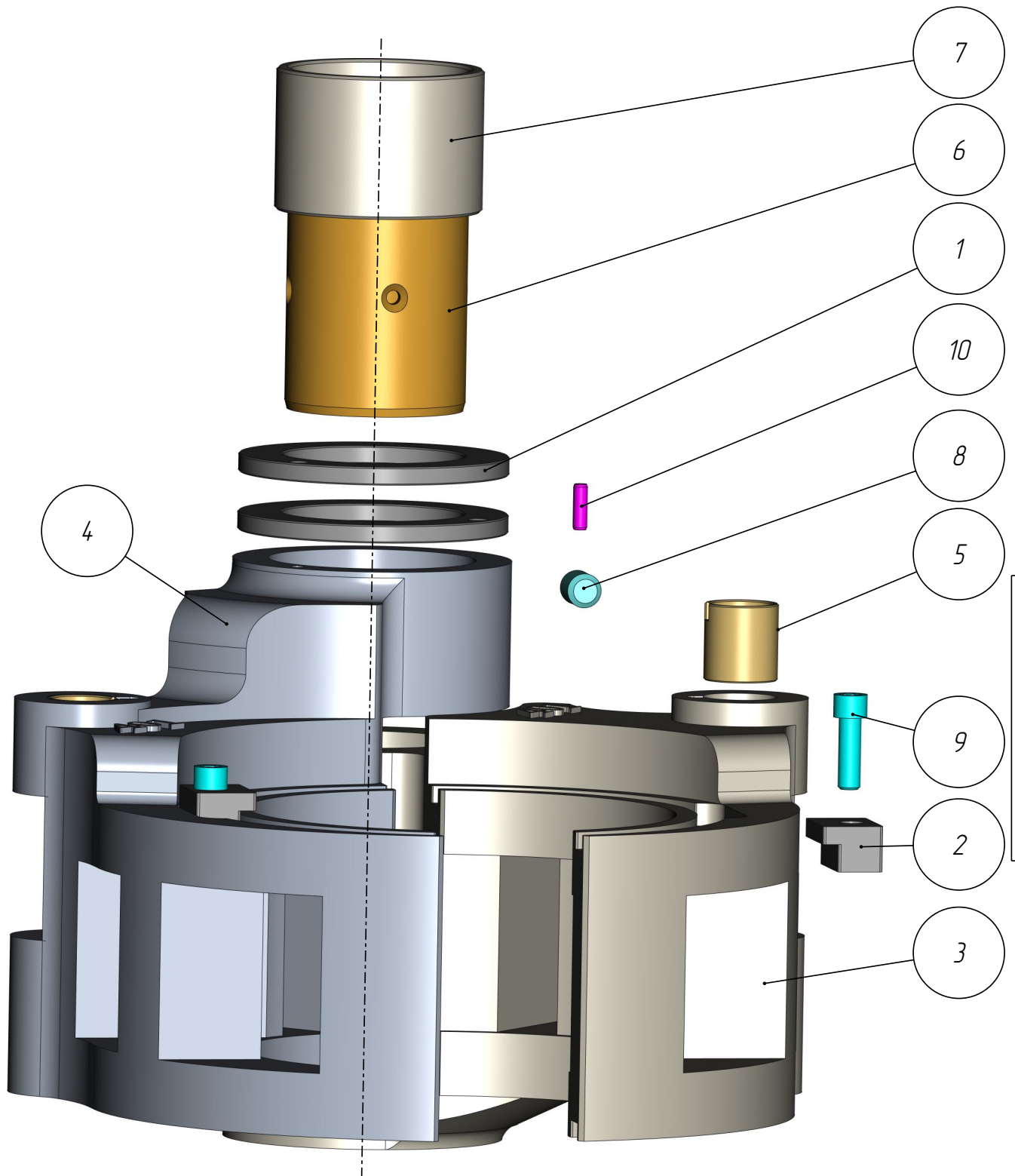


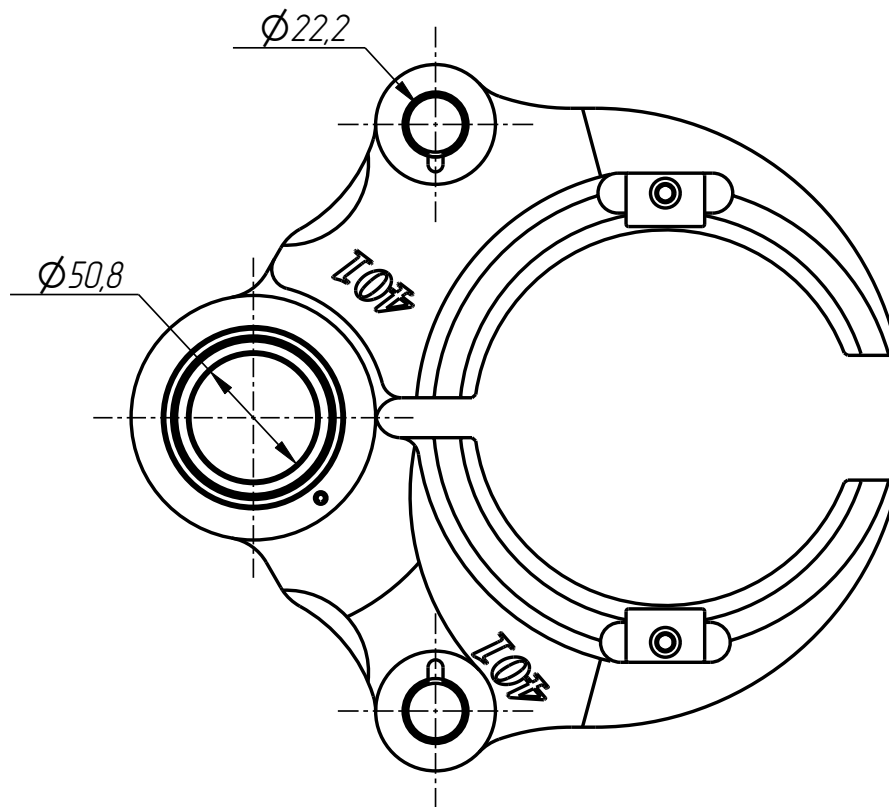
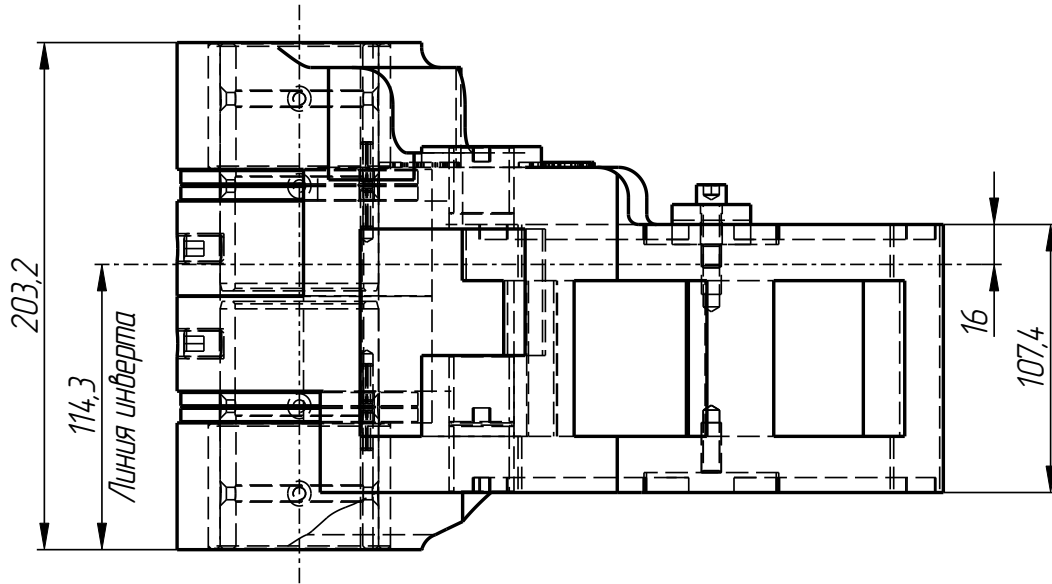
*401*

*DF-401-025*

*Form Holder  
(SG-150-6\_5)*



DF-401-025



# DF-401-025

Form Holder  
(SG-150-6\_5)

## Specification

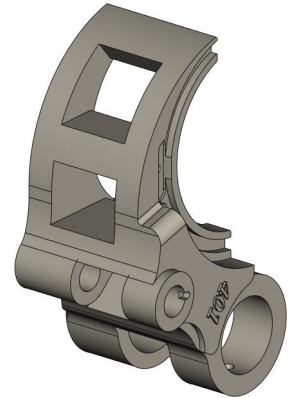
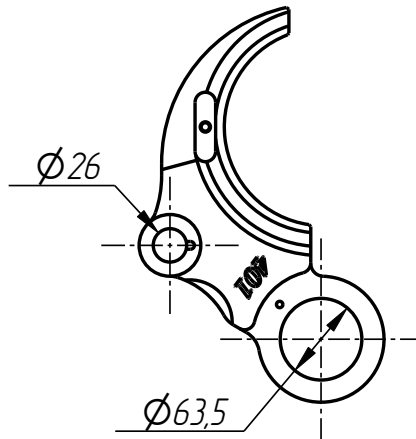
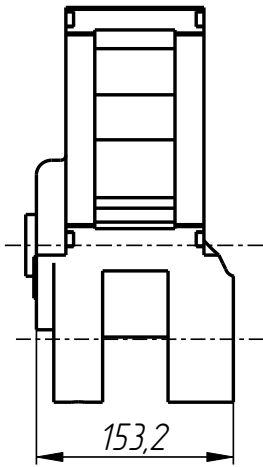
Nº pos.	Code	Name	Qty
---------	------	------	-----

### Parts:

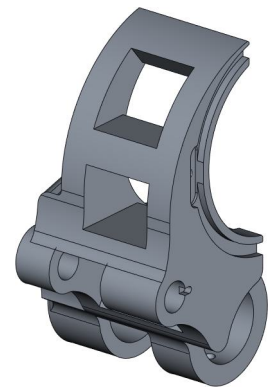
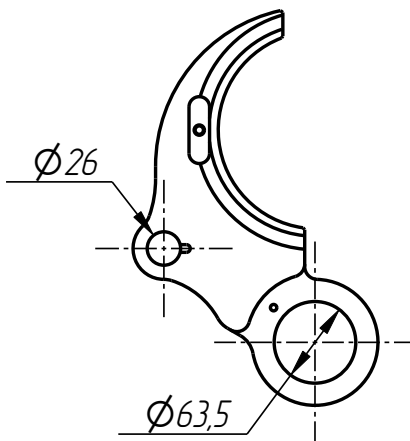
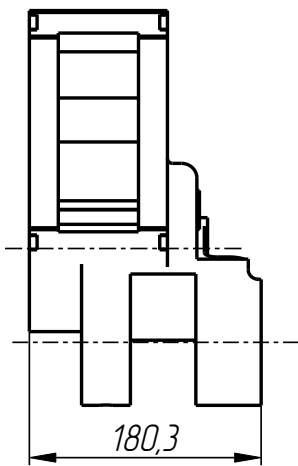
1	DF-401-015-006	Washer	4
2	DF-401-024-003	Holding plate	2
3	DF-401-025-001	Lower lever	1
4	DF-401-025-002	Upper lever	1
5	DF-401-025-003	Bushing	6
6	DF-401-025-004	Bushing	2
7	DF-401-025-005	Bushing	2

### Standard parts:

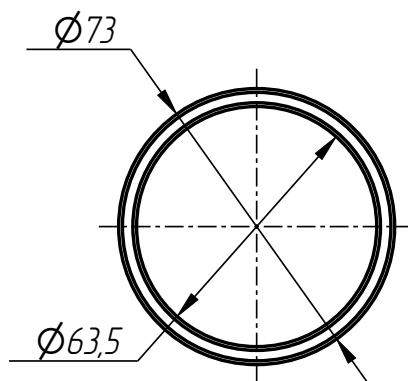
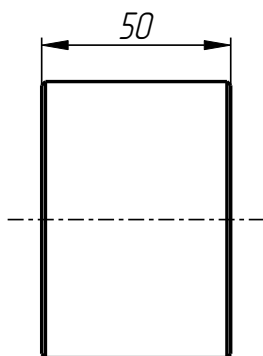
8	Screw M12x16 GOST 11074-93	2
9	Screw UNC5/16"-18x1" DIN 912	2
10	Spring pin $\phi$ 5x16 DIN 1481	4



Lower lever  
DF-401-025-001

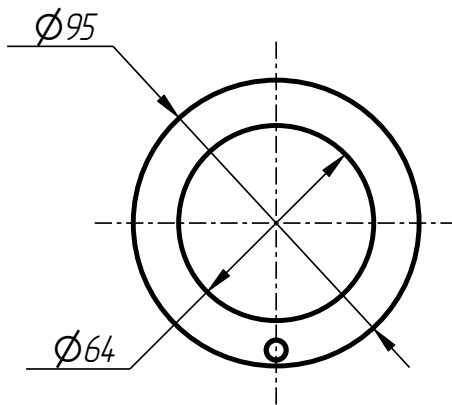
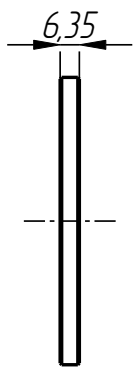


Upper lever  
DF-401-025-002

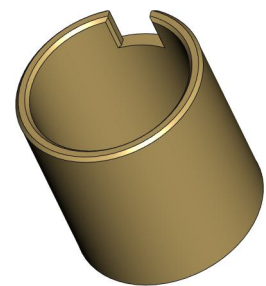
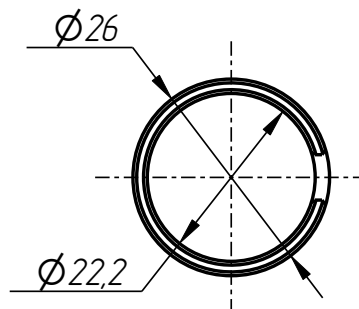
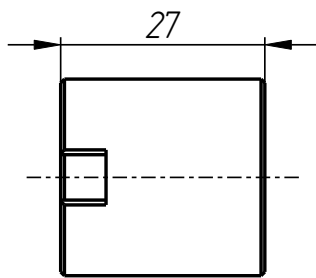


Bushing  
DF-401-025-005

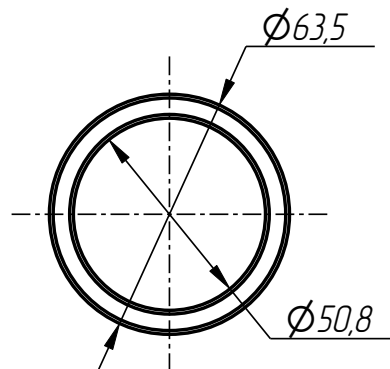
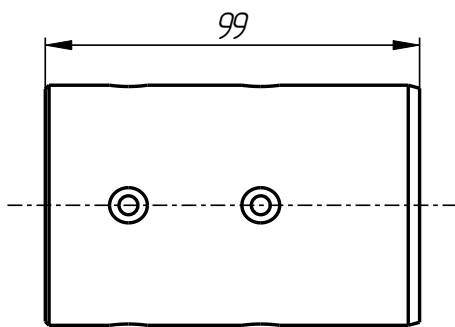
DF-401-025



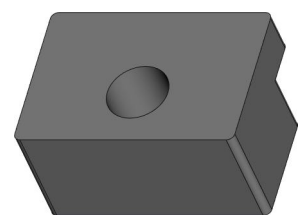
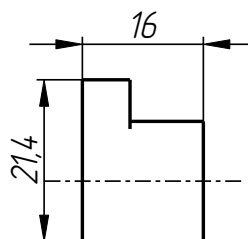
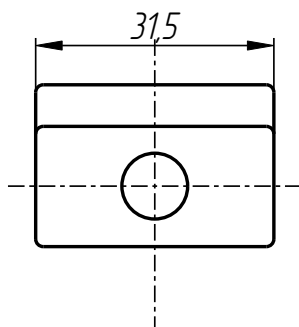
Washer  
DF-401-015-006



Bushing  
DF-401-025-003



Bushing  
DF-401-025-004



Holding plate  
DF-401-024-003