

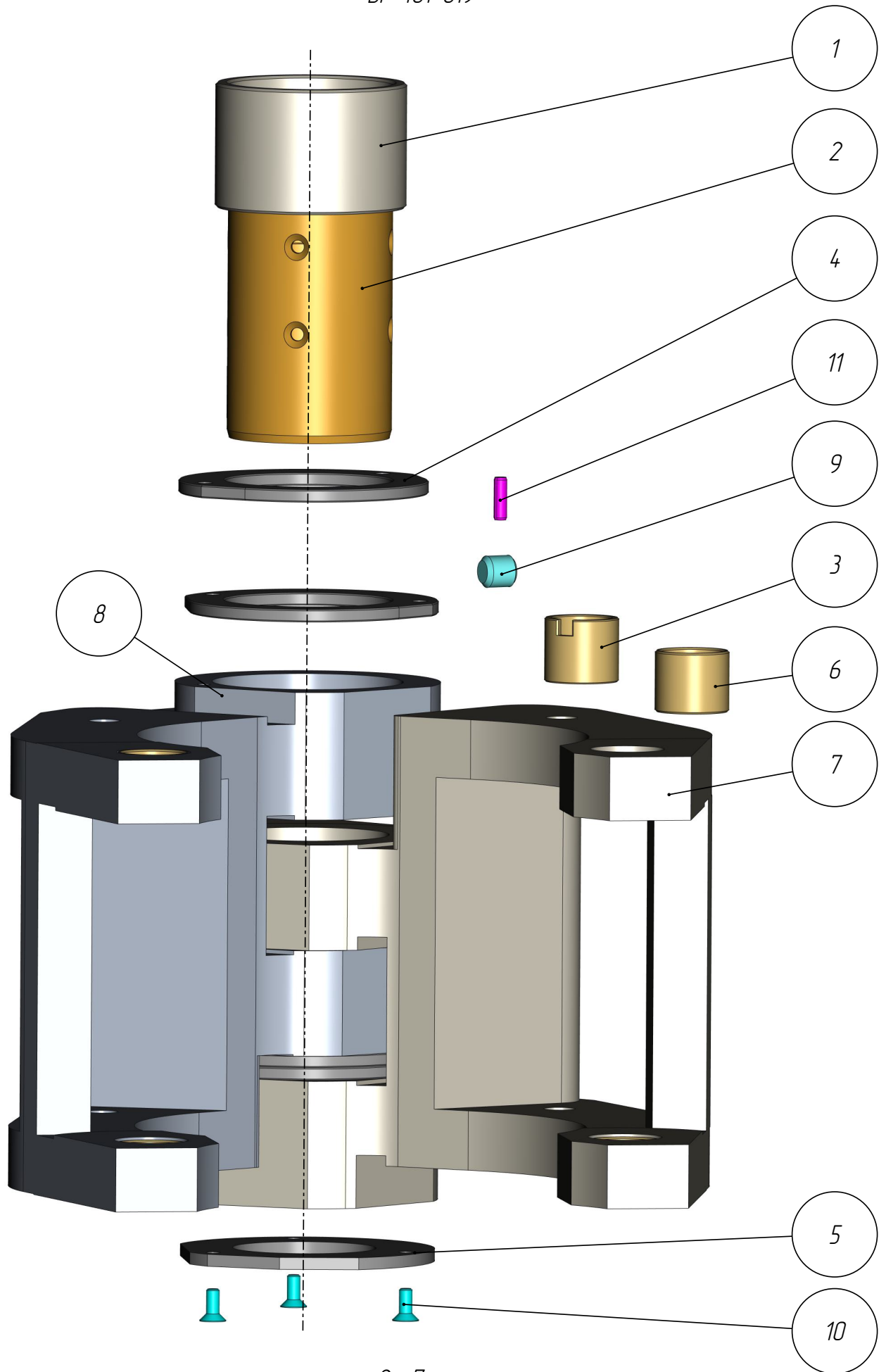
401

DF-401-019

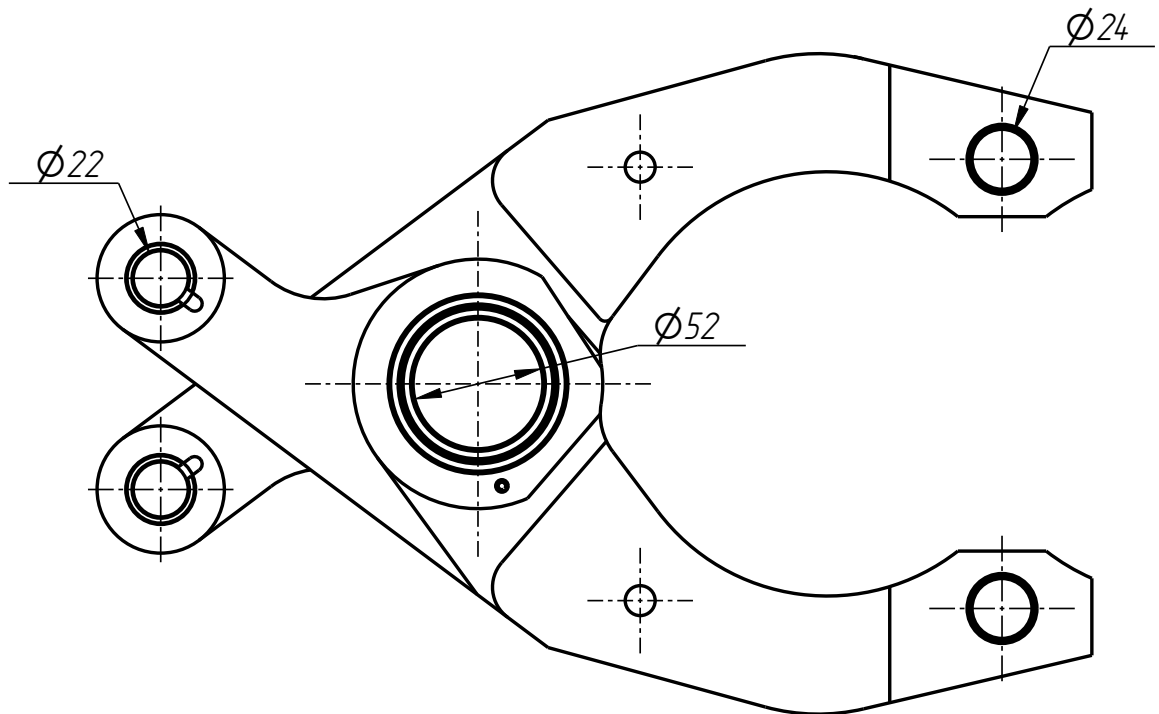
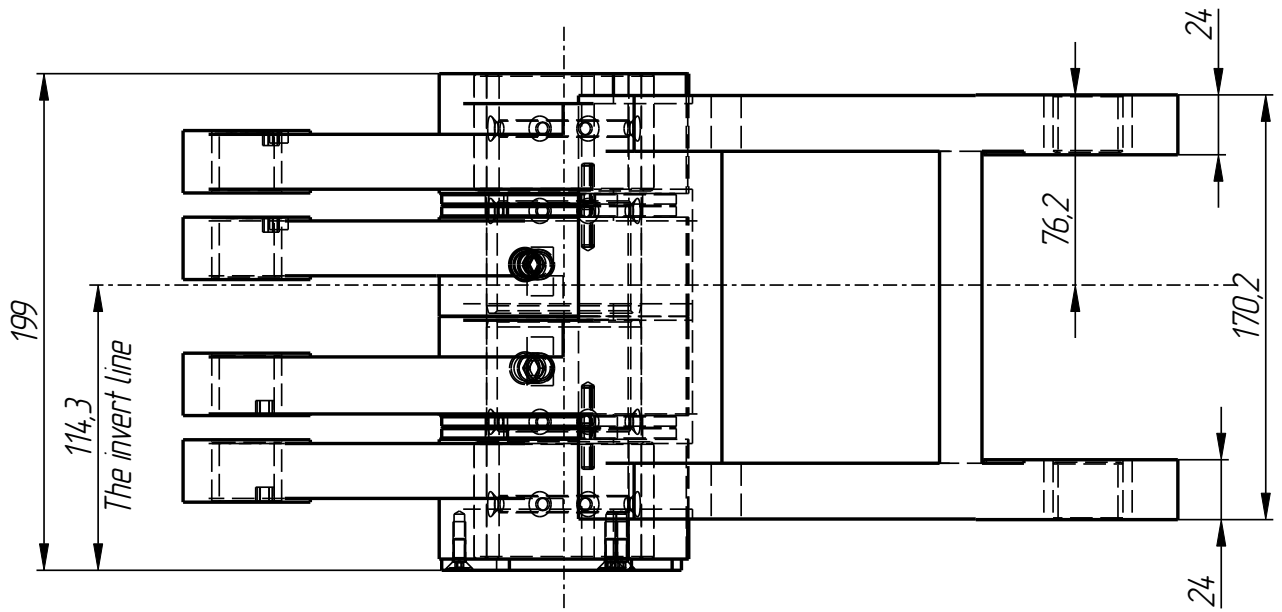
*Form Holder
(DF-AL-08)*

Form Holder
(DF-AL-08)
DF-401-019

401



DF-401-019



DF-401-019

Form Holder
(DF-AL-08)

Specification

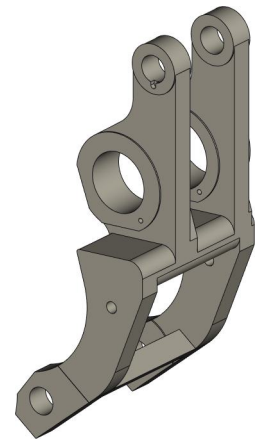
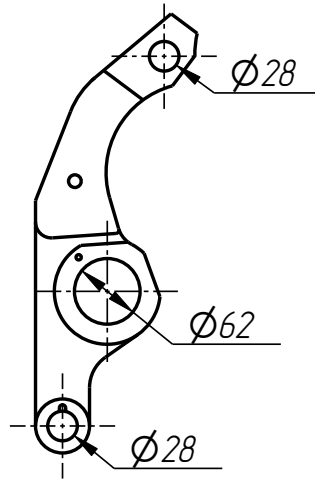
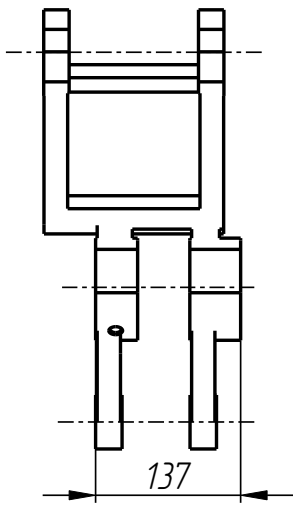
<i>Nº pos.</i>	<i>Code</i>	<i>Name</i>	<i>Qty</i>
----------------	-------------	-------------	------------

Parts:

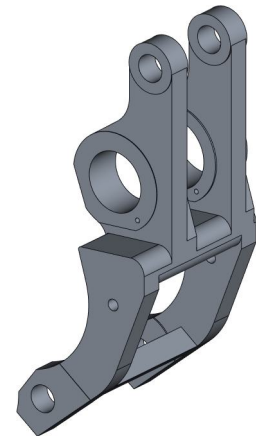
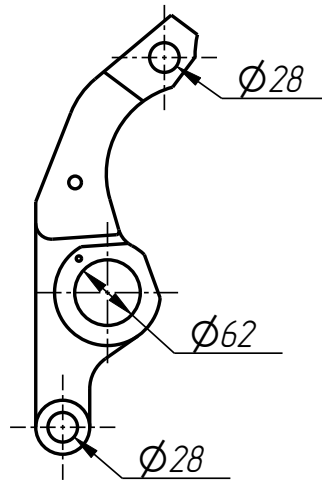
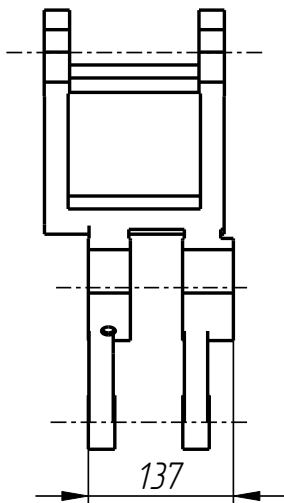
1	DF-401-001-004	Bushing	2
2	DF-401-011-002	Bushing	2
3	DF-401-011-004	Bushing	4
4	DF-401-011-005	Washer	4
5	DF-401-011-006	Cap	1
6	DF-401-016-003	Bushing	4
7	DF-401-019-001	Lower lever	1
8	DF-401-019-002	Upper lever	1

Standard parts:

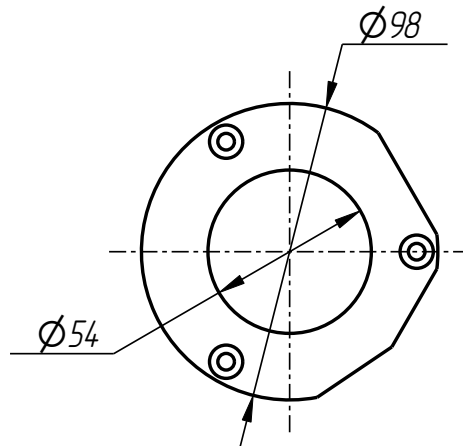
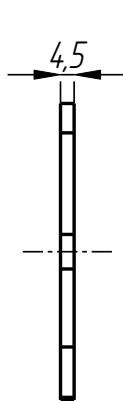
9	Screw M12x12 GOST 11074-93	2
10	Screw M5x12 DIN 7991	3
11	Spring pin ϕ 5x16 DIN 1481	4



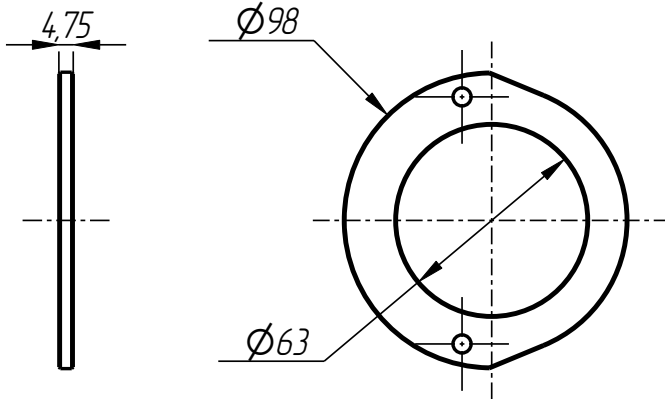
Lower lever
DF-401-019-001



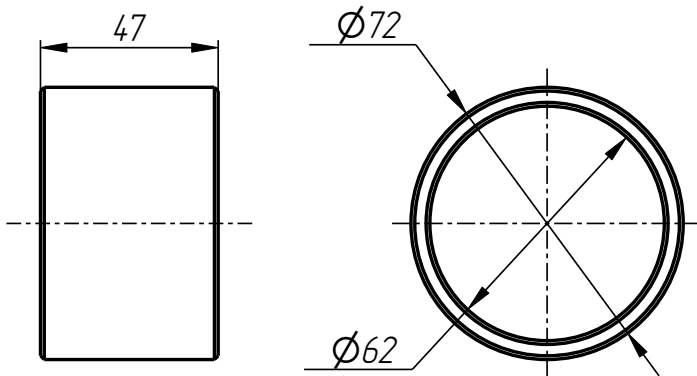
Upper lever
DF-401-019-002



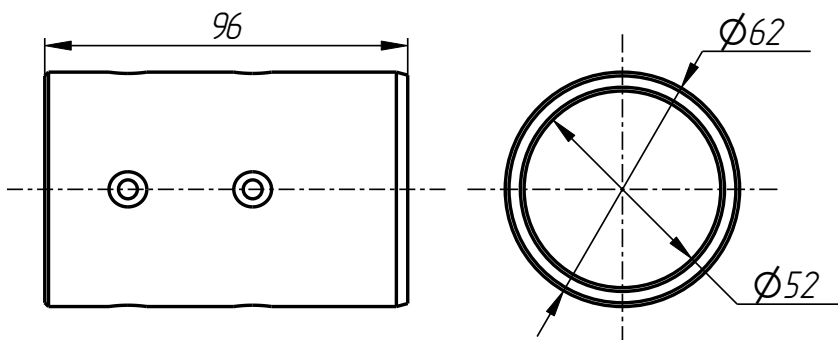
Cap
DF-401-011-006



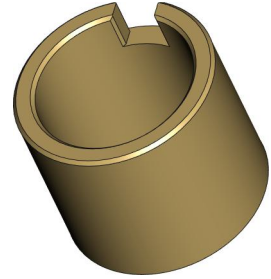
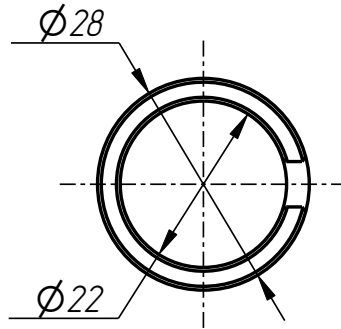
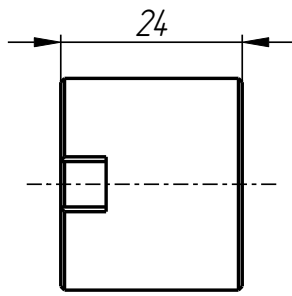
Washer
DF-401-011-005



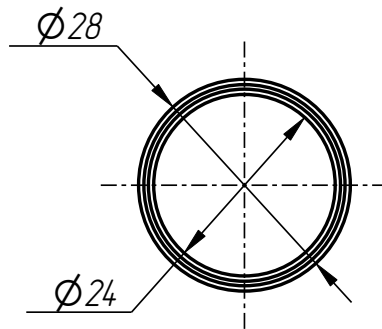
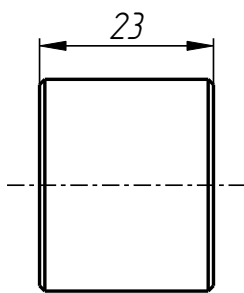
Bushing
DF-401-001-004



Bushing
DF-401-011-002



Bushing
DF-401-016-003



Bushing
DF-401-011-004

DF-401-019