

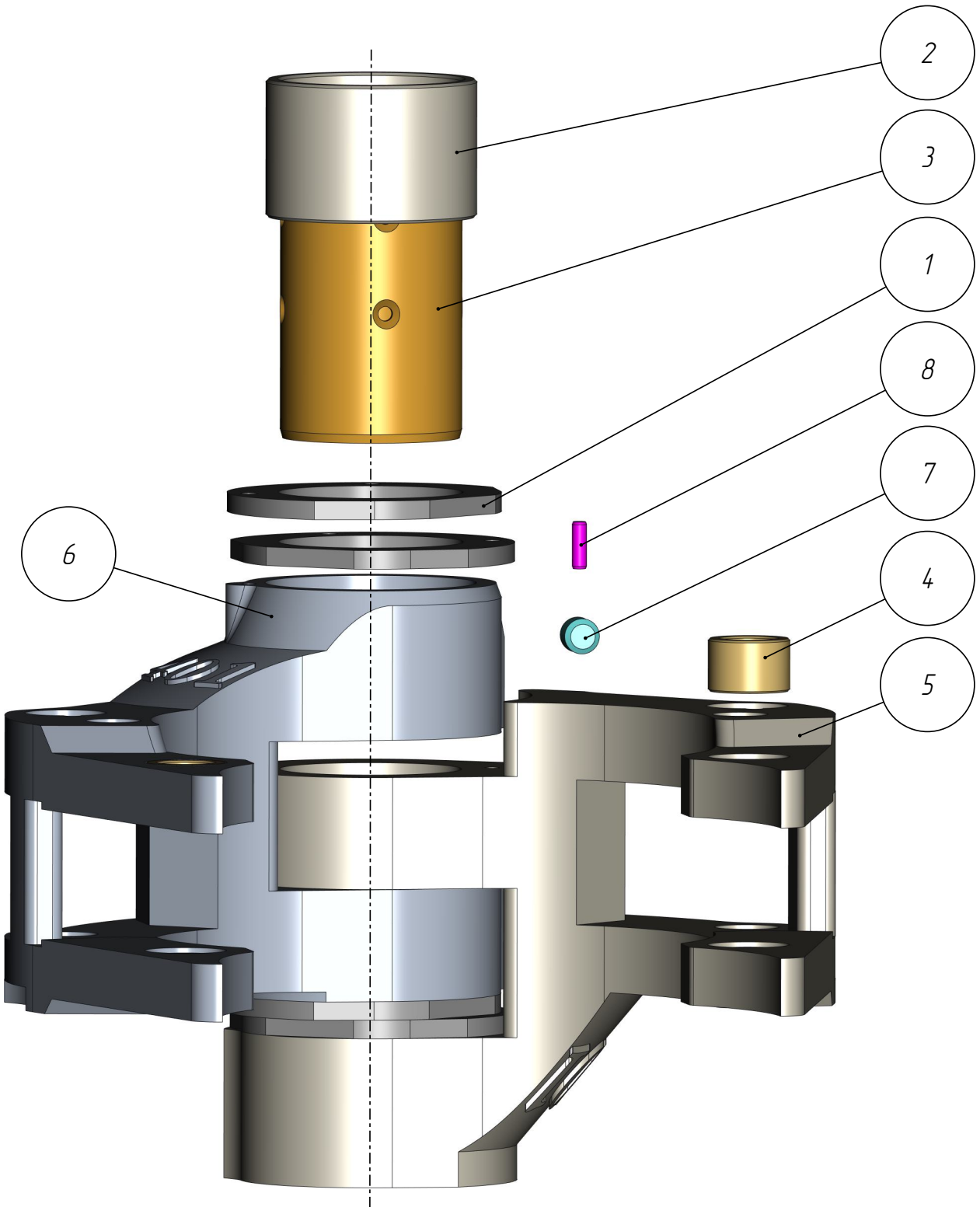
401

DF-401-018

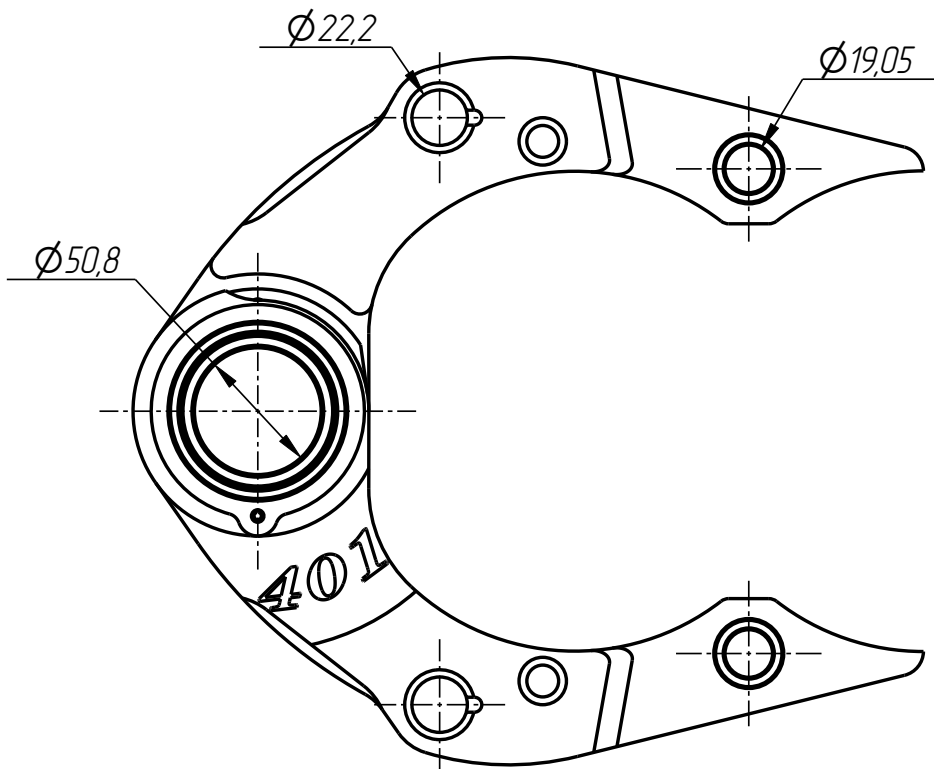
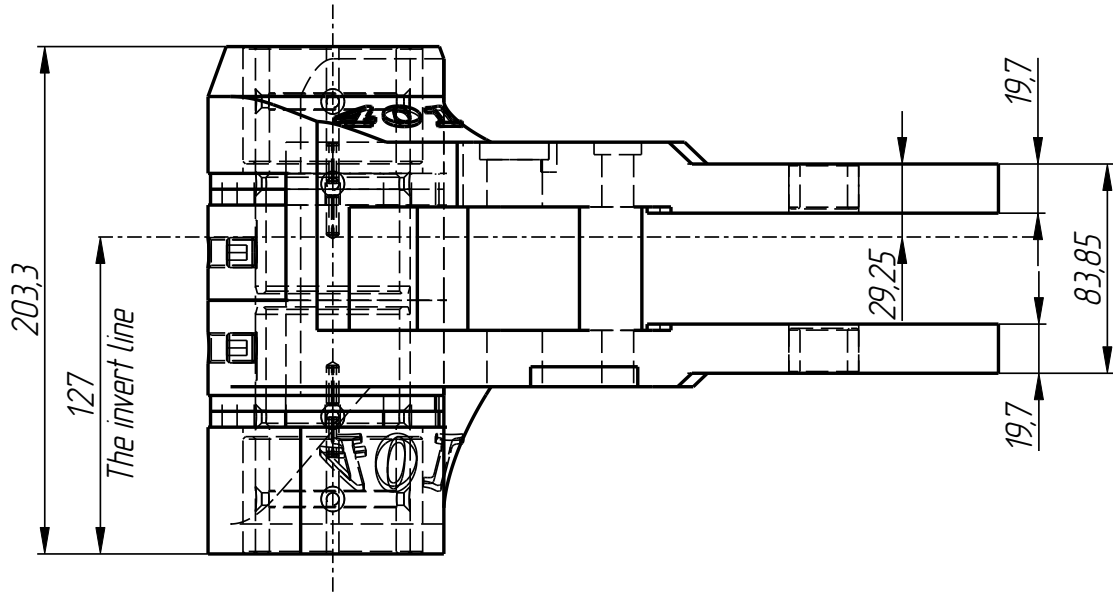
*Form Holder
(DF-23-170)*

Form Holder
(DF-23-170)
DF-401-018

401



DF-401-018



DF-401-018

Form Holder
(DF-23-170)

Specification

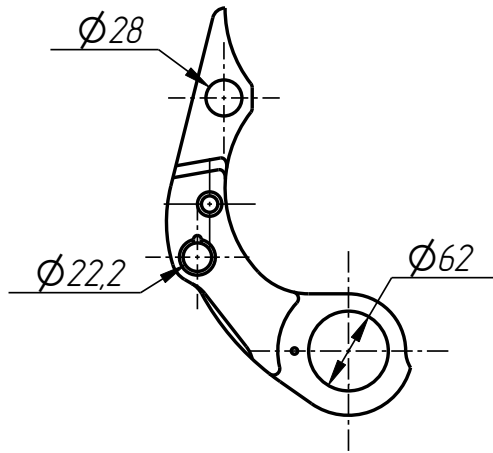
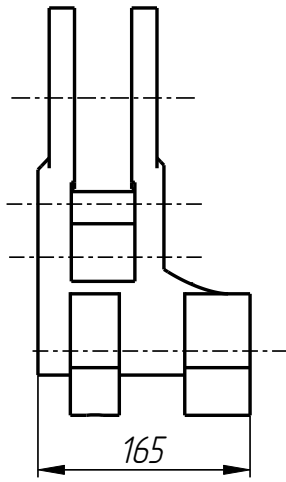
| <i>Nº pos.</i> | <i>Code</i> | <i>Name</i> | <i>Qty</i> |
|----------------|-------------|-------------|------------|
|----------------|-------------|-------------|------------|

Parts:

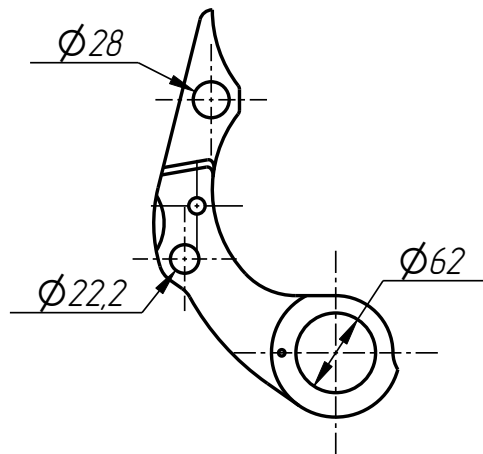
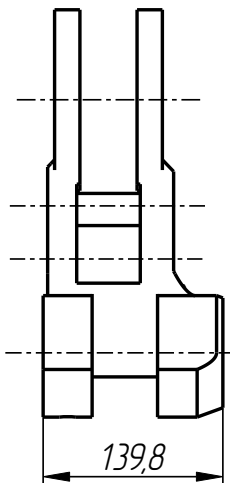
| | | | |
|---|----------------|---------------|---|
| 1 | DF-401-001-003 | Remote washer | 4 |
| 2 | DF-401-001-004 | Bushing | 2 |
| 3 | DF-401-001-005 | Bushing | 2 |
| 4 | DF-401-003-001 | Bushing | 4 |
| 5 | DF-401-018-001 | Lower lever | 1 |
| 6 | DF-401-018-002 | Upper lever | 1 |

Standard parts:

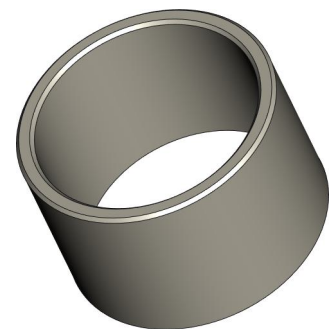
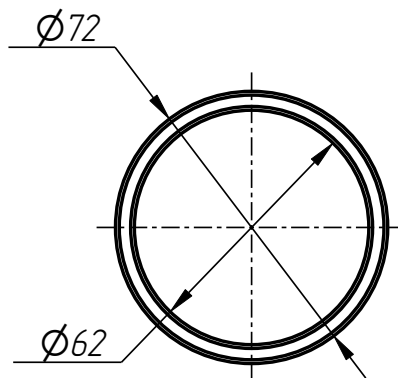
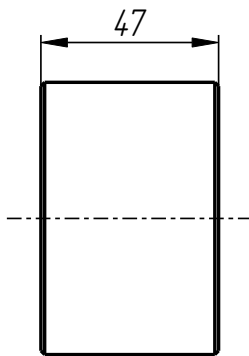
| | | | |
|---|---------------------------------|--|---|
| 7 | Screw M12x12 GOST 11074-93 | | 2 |
| 8 | Spring pin ϕ 5x16 DIN 1481 | | 4 |



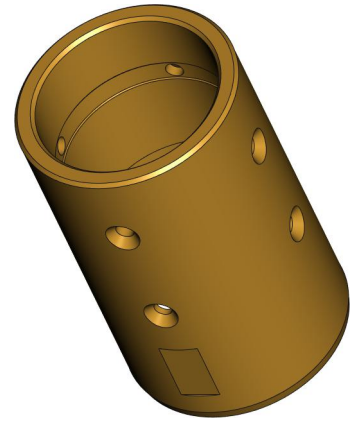
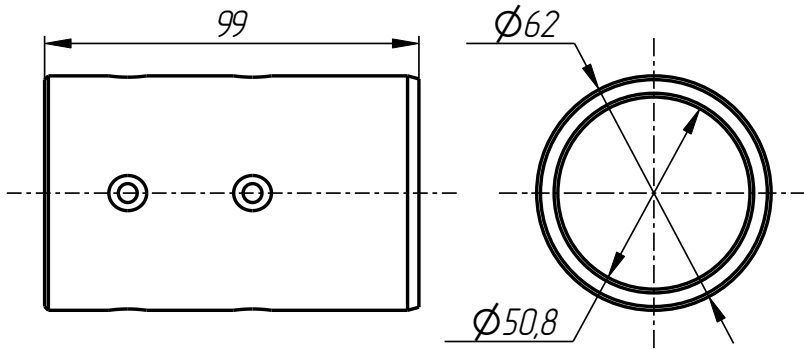
Lower lever
DF-401-018-001



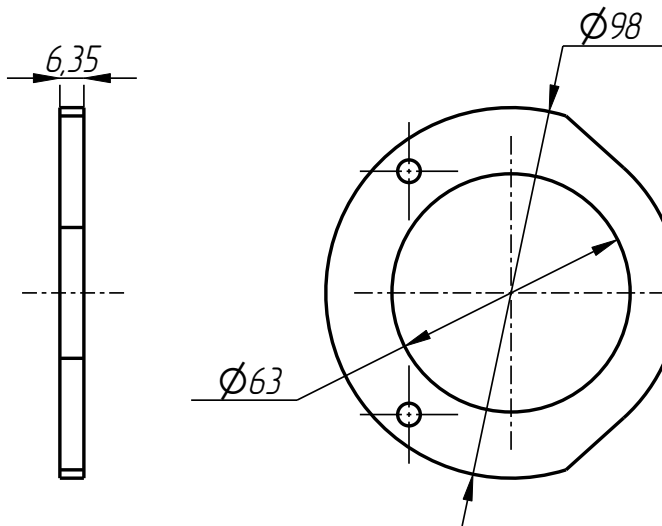
Upper lever
DF-401-018-002



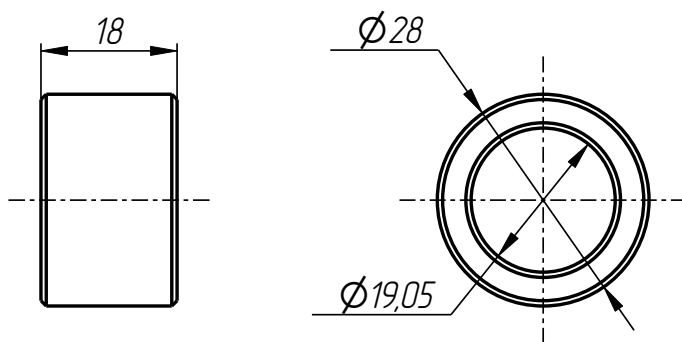
Bushing
DF-401-001-004



Bushing
DF-401-001-005



Remote washer
DF-401-001-003



Bushing
DF-401-003-001