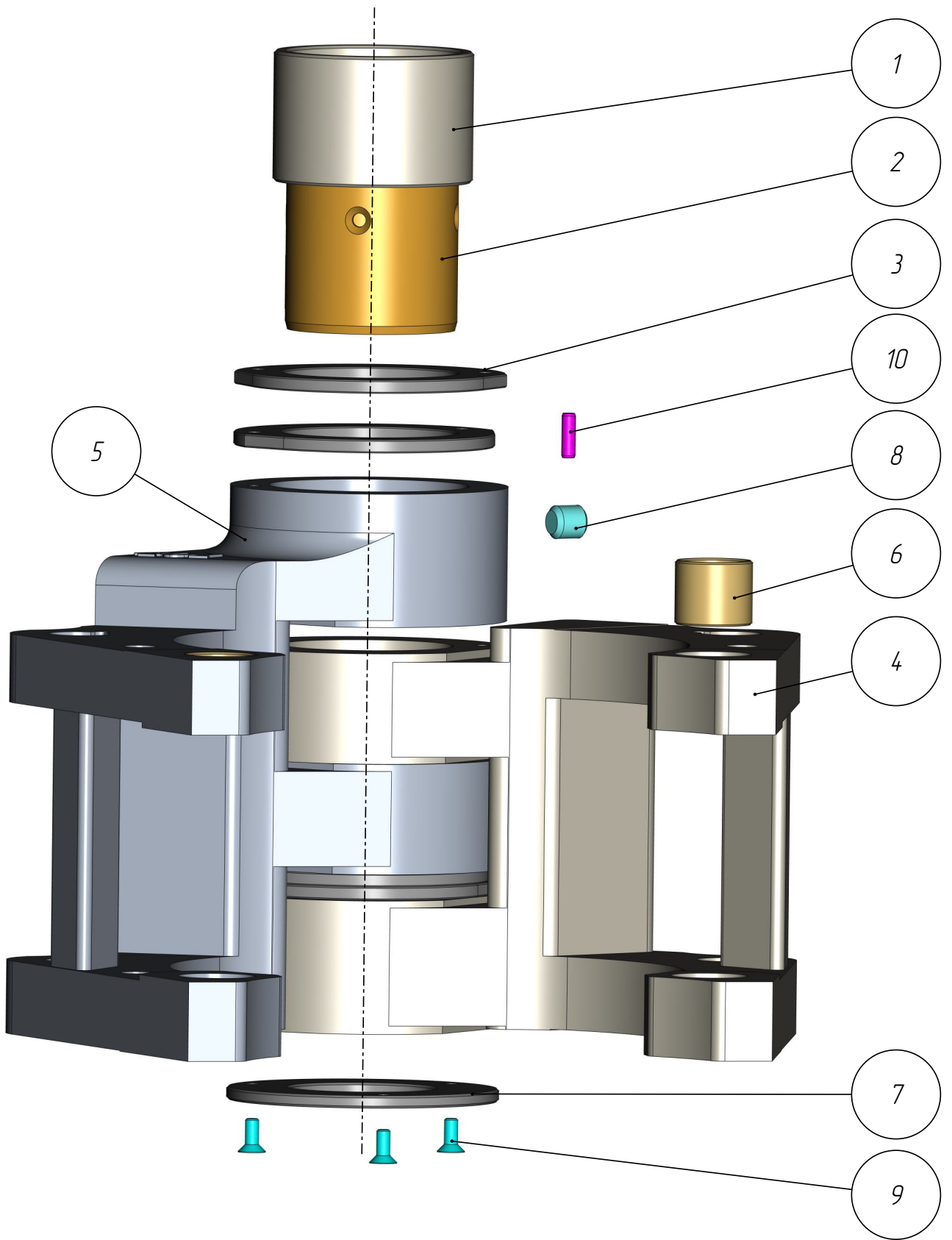


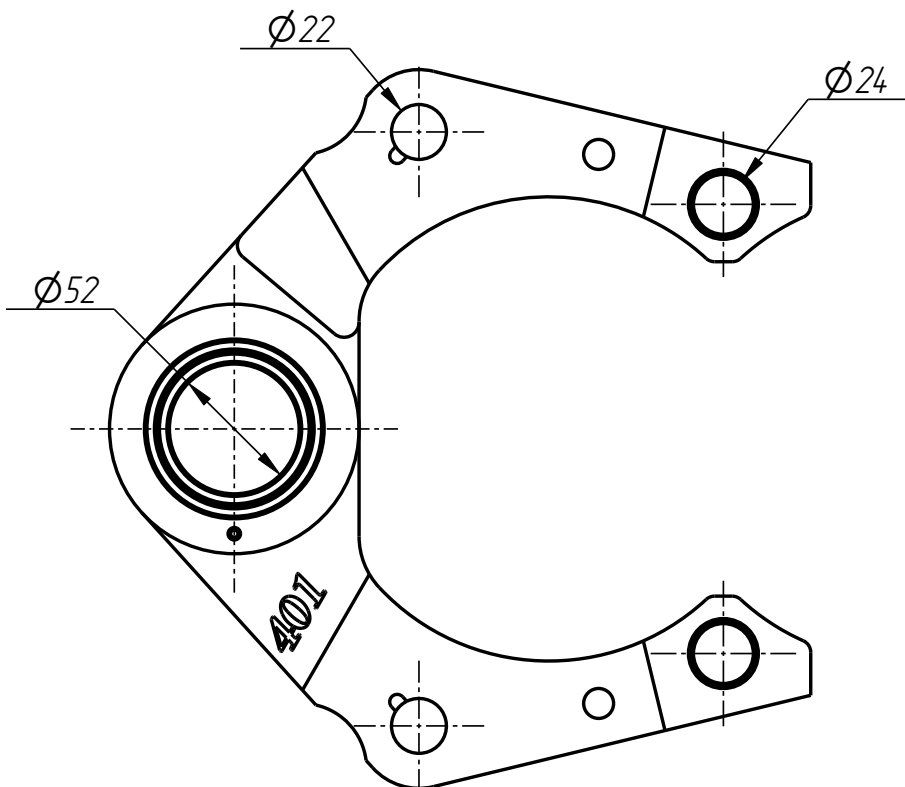
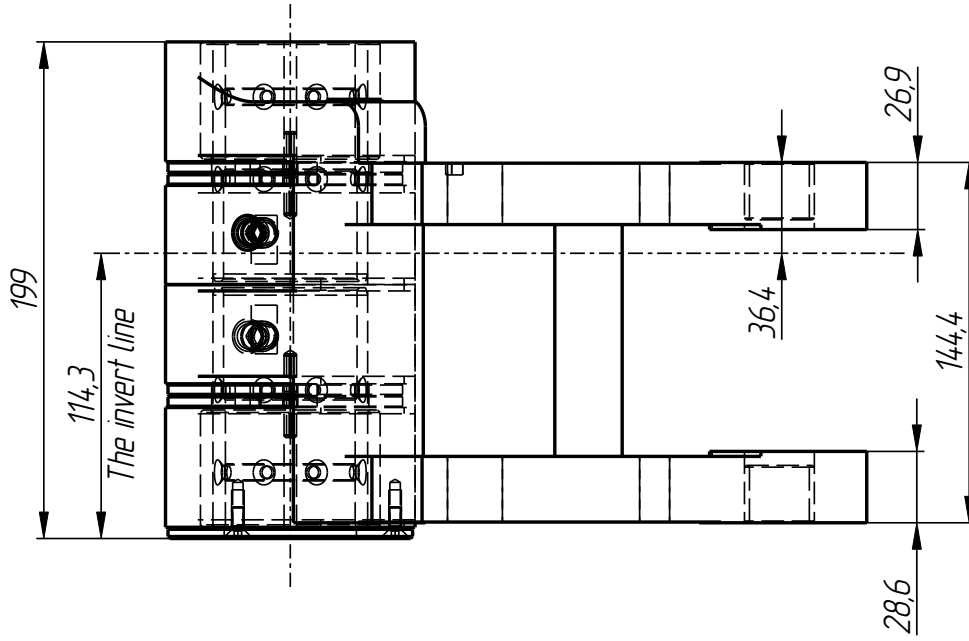
401

DF-401-016

Form Holder
(AL-09)



DF-401-016



DF-401-016

DF-401-016

Form Holder
(AL-09)

Specification

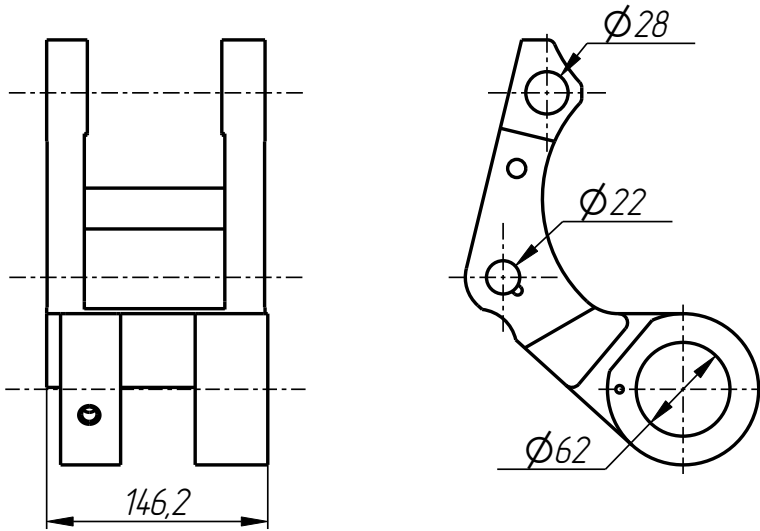
<i>Nº pos.</i>	<i>Code</i>	<i>Name</i>	<i>Qty</i>
----------------	-------------	-------------	------------

Parts:

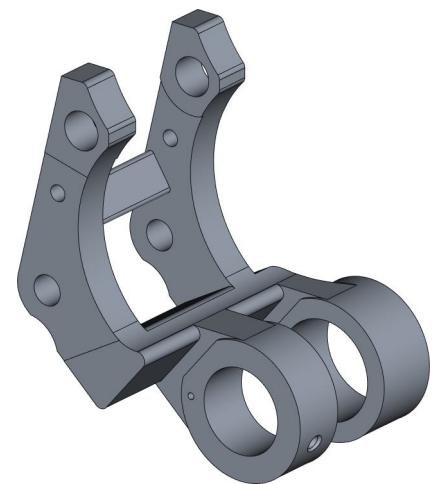
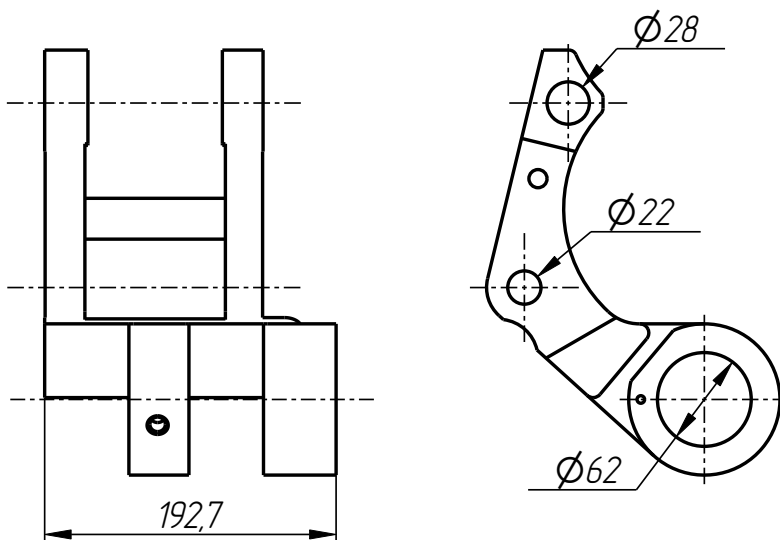
1	DF-401-001-004	Bushing	2
2	DF-401-011-002	Bushing	2
3	DF-401-011-005	Washer	4
4	DF-401-016-001	Lower lever	1
5	DF-401-016-002	Upper lever	1
6	DF-401-016-003	Bushing	4
7	DF-401-016-004	Cap	1

Standard parts:

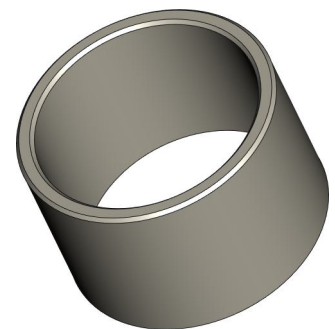
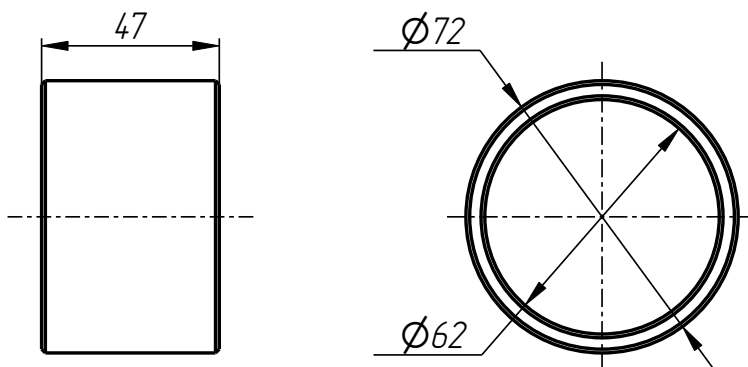
8	Screw M12x12 GOST 11074-93	2
9	Screw M5x12 DIN 7991	3
10	Spring pin ϕ 5x16 DIN 1481	4



Lower lever
DF-401-016-001



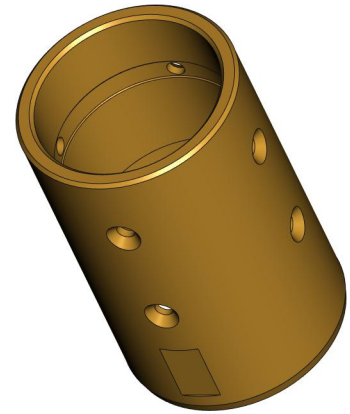
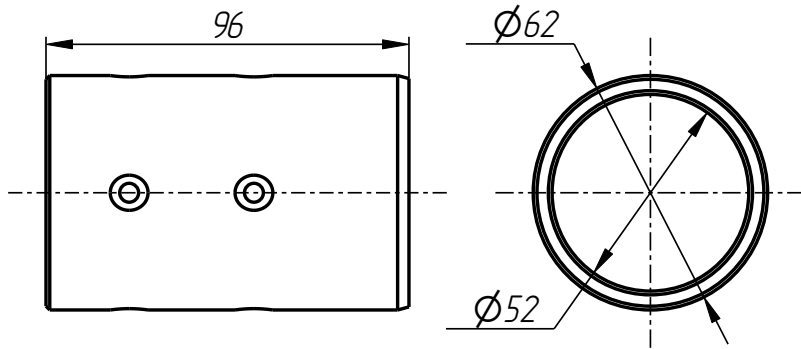
Upper lever
DF-401-016-002



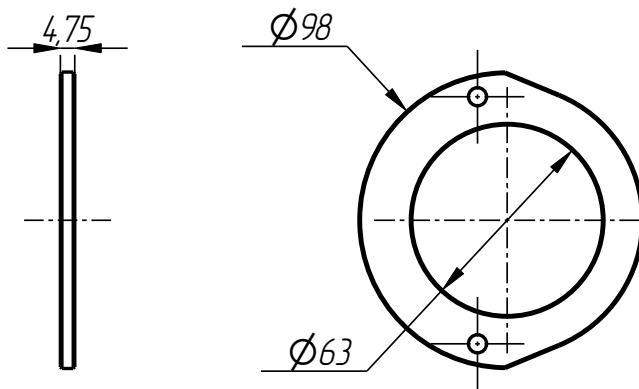
Bushing
DF-401-001-004

Form Holder
(AL-09)
DF-401-016

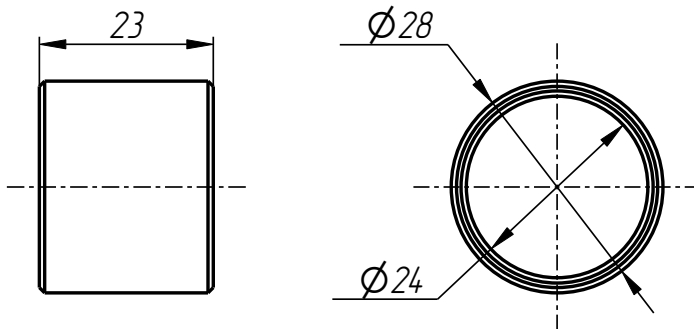
401



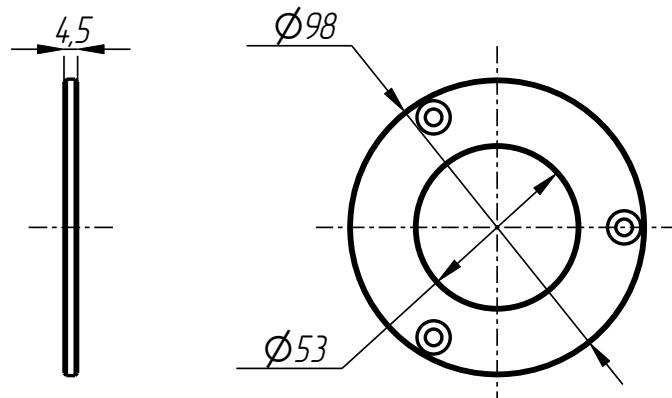
Bushing
DF-401-011-002



Washer
DF-401-011-005



Bushing
DF-401-016-003



Cap
DF-401-016-004