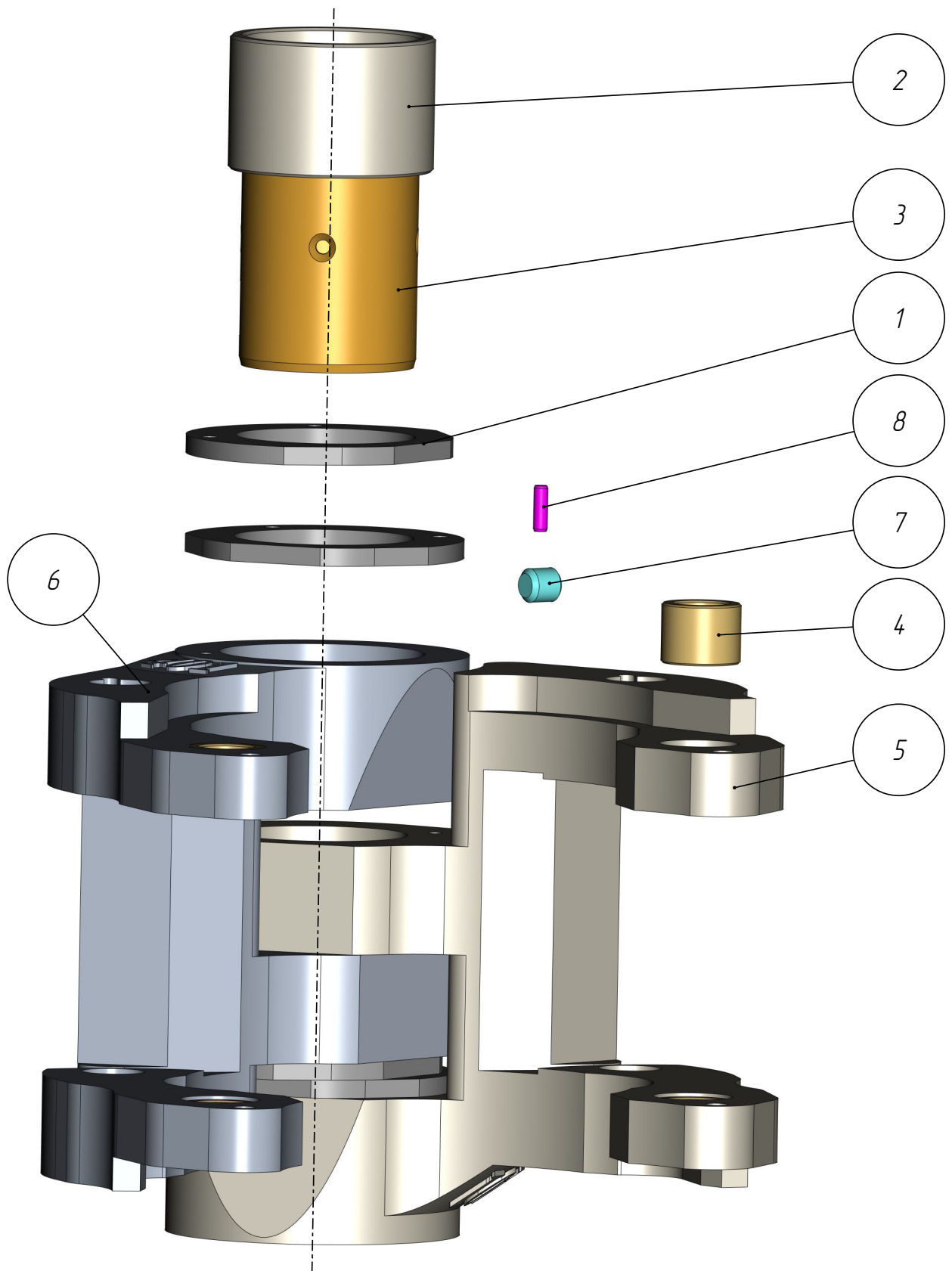


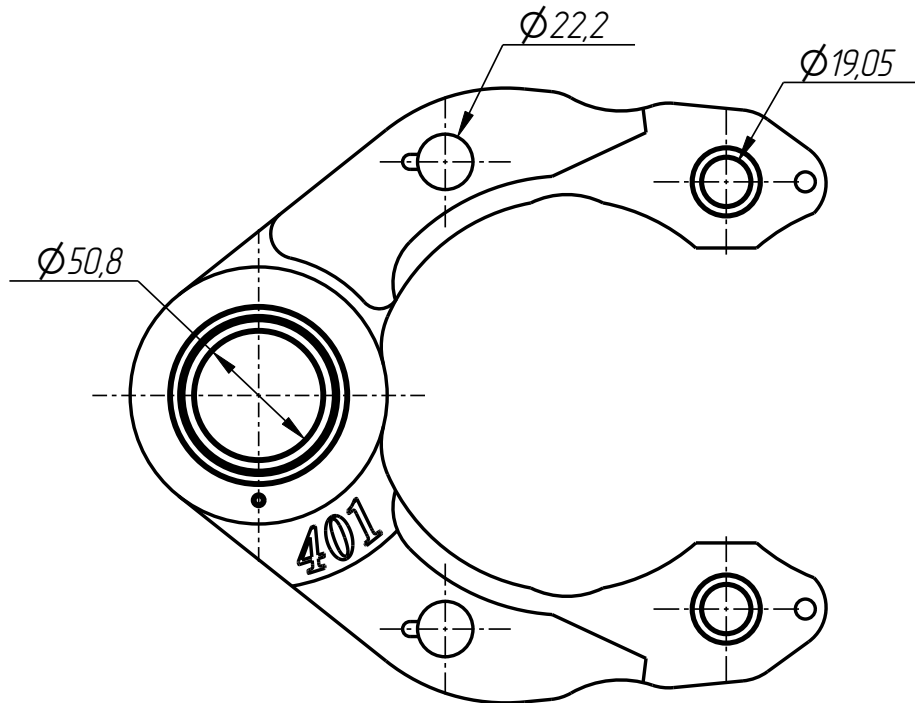
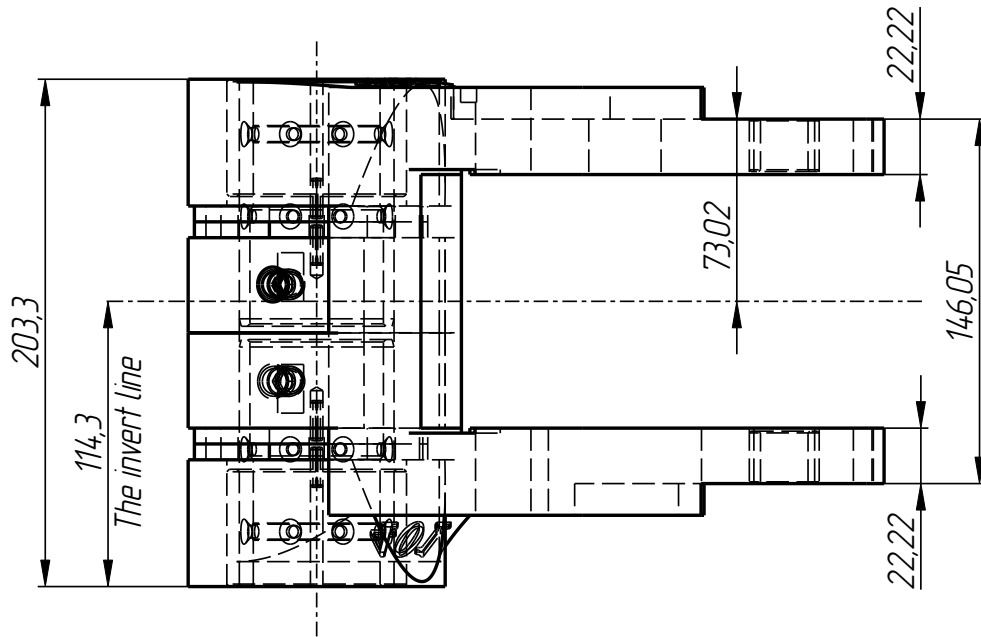
401

DF-401-014

*Form Holder
(DF-TY-08B)*



DF-401-014



DF-401-014

Form Holder
(DF-TY-08B)

Specification

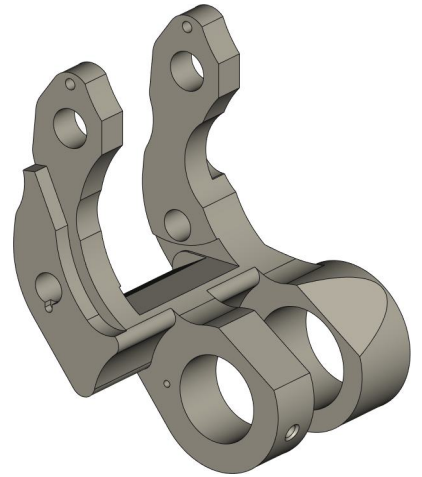
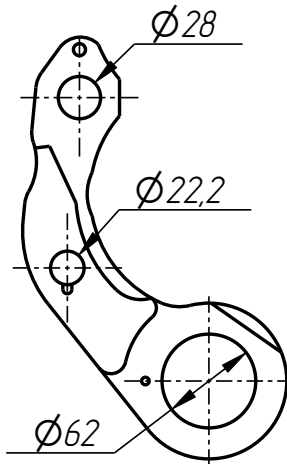
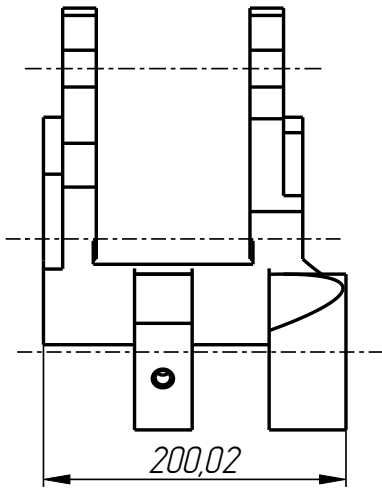
Nº pos.	Code	Name	Qty
---------	------	------	-----

Parts:

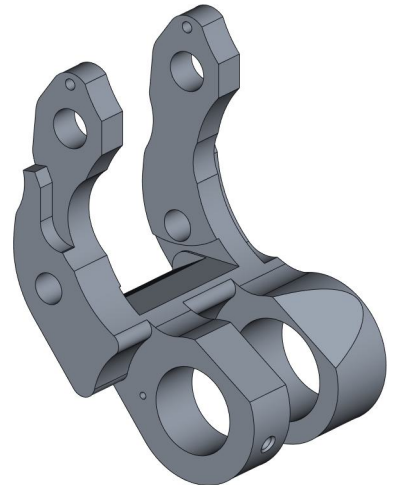
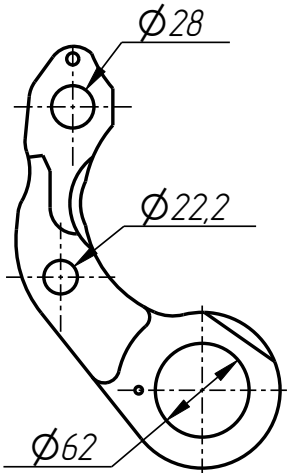
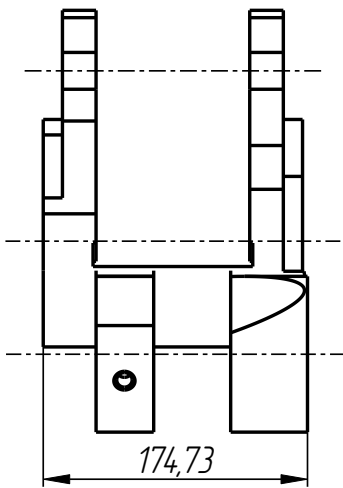
1	DF-401-001-003	Remote washer	4
2	DF-401-001-004	Bushing	2
3	DF-401-001-005	Bushing	2
4	DF-401-006-003	Bushing	4
5	DF-401-014-001	Lower lever	1
6	DF-401-014-002	Upper lever	1

Standard parts:

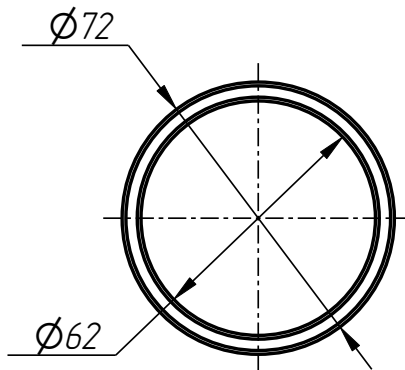
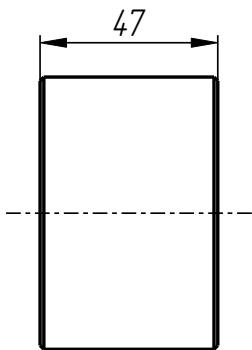
7	Screw M12x12 GOST 11074-93		2
8	Spring pin ϕ 5x16 DIN 1481		4



Lower lever
DF-401-014-001

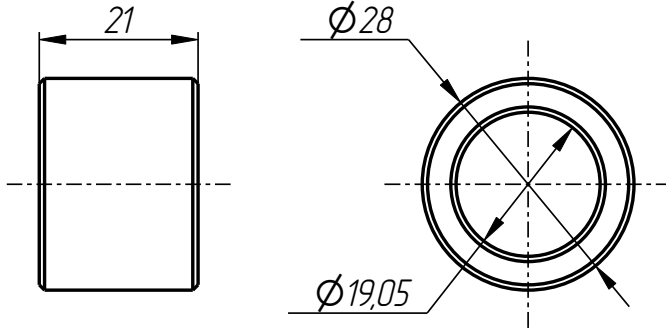


Upper lever
DF-401-014-002

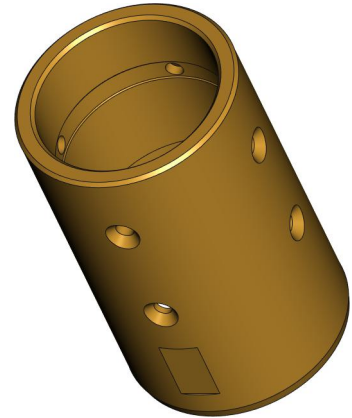
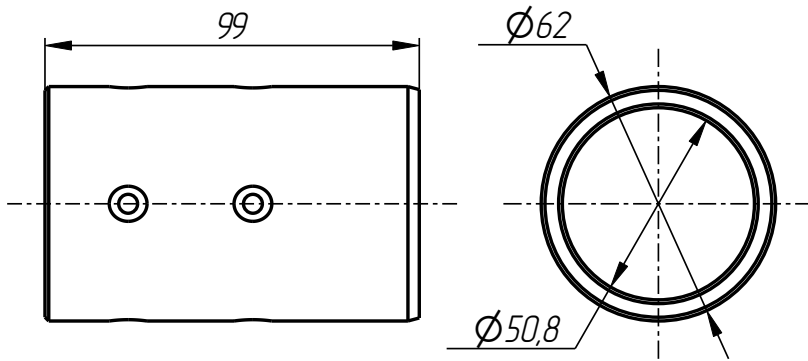


Bushing
DF-401-001-004

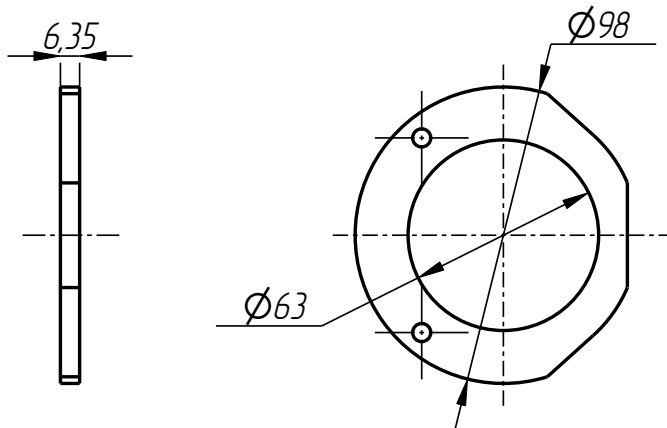
DF-401-014



Bushing
DF-401-006-003



Bushing
DF-401-001-005



Remote washer
DF-401-001-003