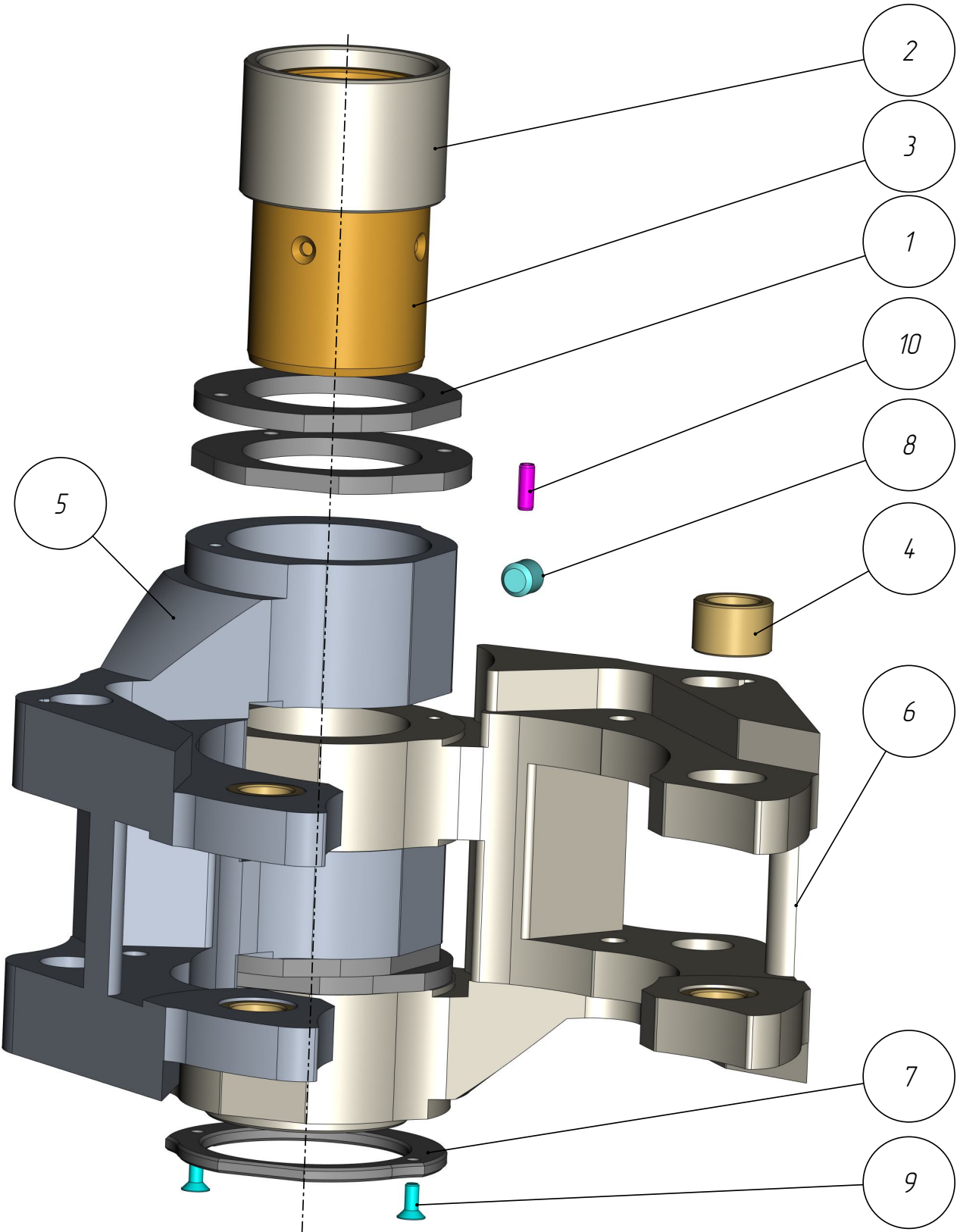


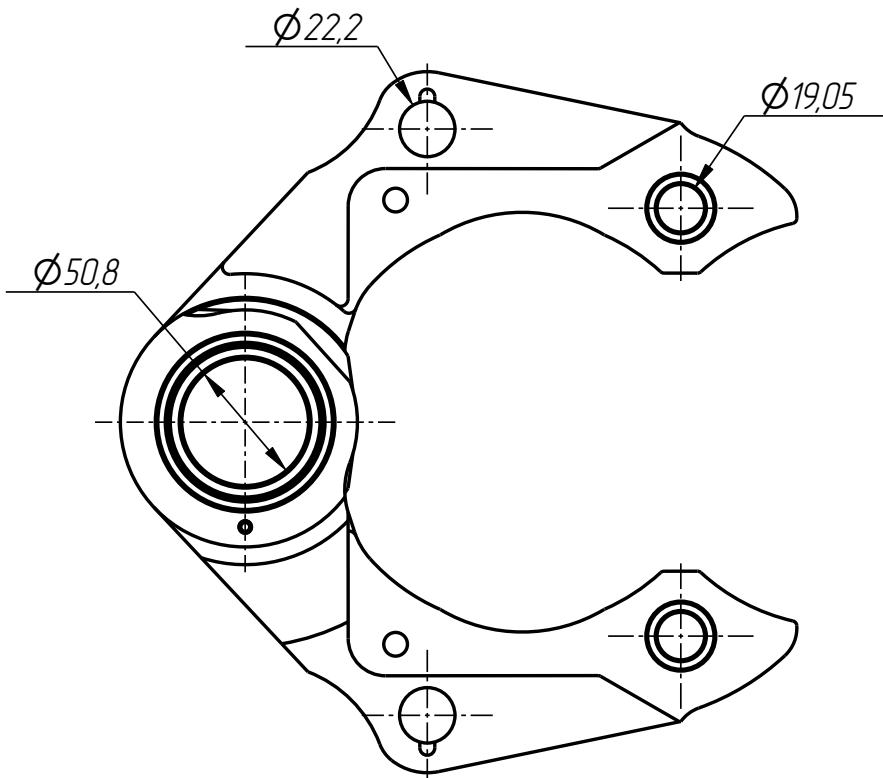
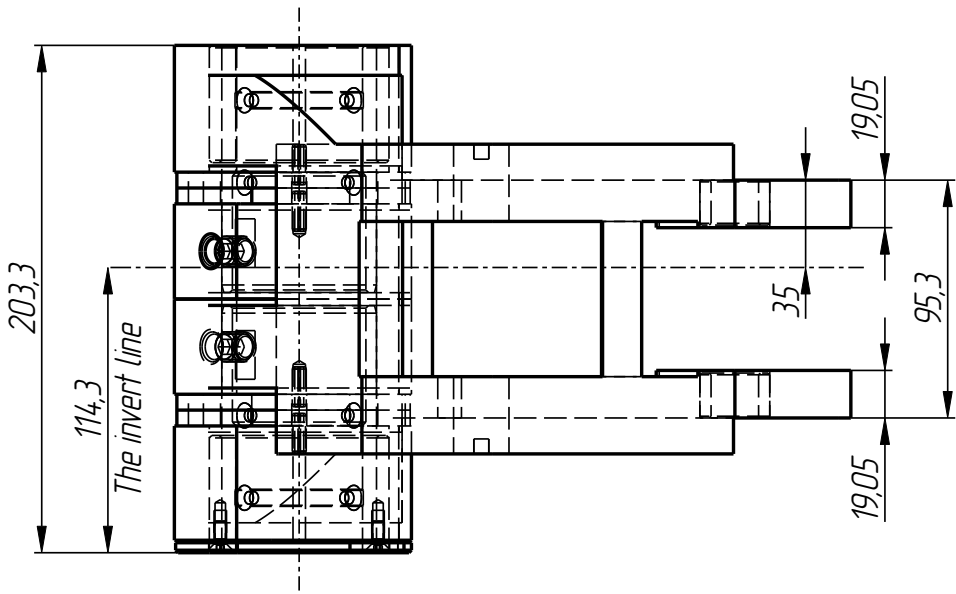
401

DF-401-009

*Form Holder
(9009)*



DF-401-009



DF-401-009

Form Holder
(9009)

Specification

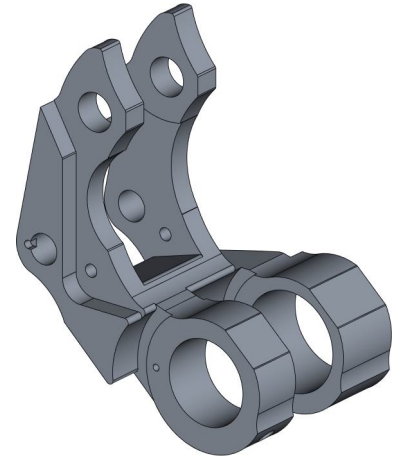
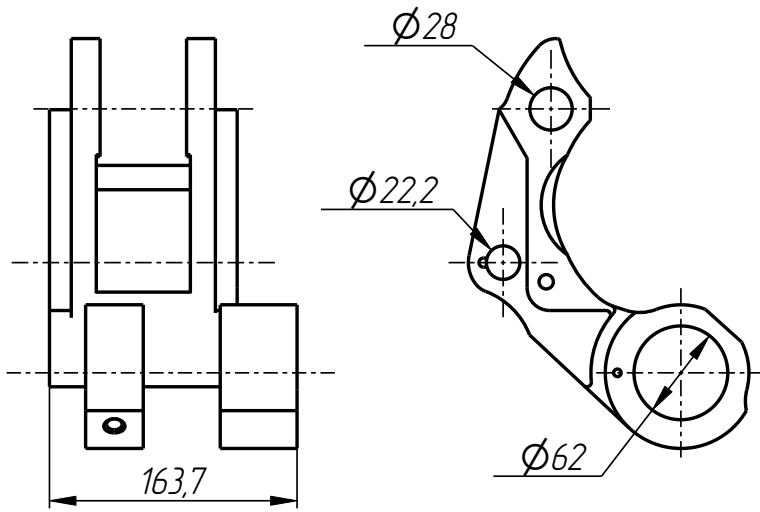
<i>Nº pos.</i>	<i>Code</i>	<i>Name</i>	<i>Qty</i>
----------------	-------------	-------------	------------

Parts:

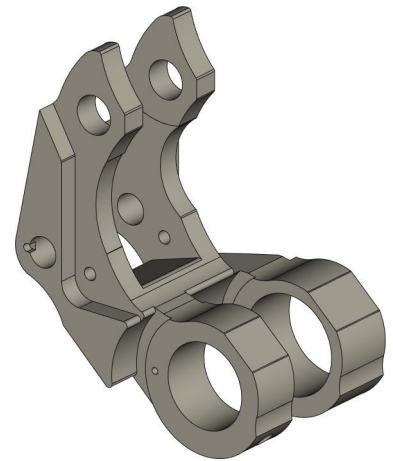
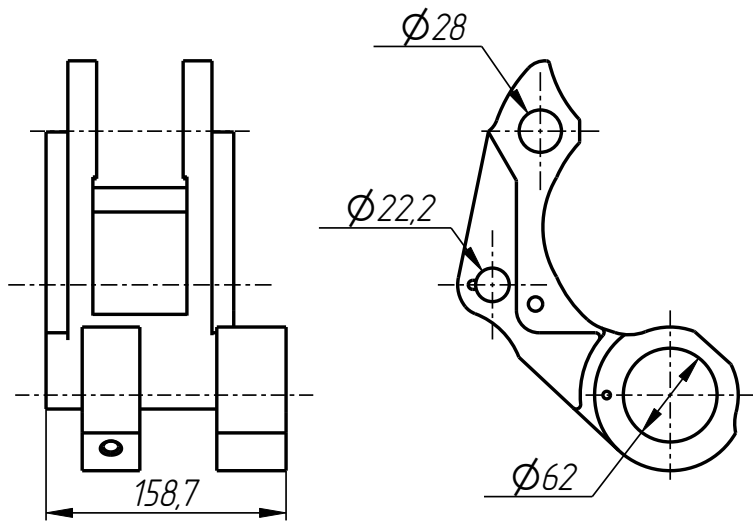
1	DF-401-001-003	Remote washer	4
2	DF-401-001-004	Bushing	2
3	DF-401-001-005	Bushing	2
4	DF-401-003-001	Bushing	4
5	DF-401-009-001	Upper lever	1
6	DF-401-009-002	Lower lever	1
7	DF-401-009-003	Cap	1

Standard parts:

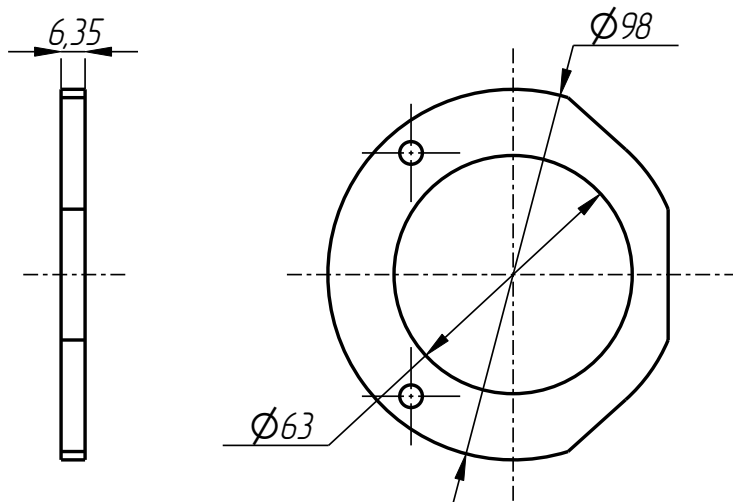
8	Screw M12x12 GOST 11074-93	2
9	Screw M5x12 DIN 7991	2
10	Spring pin ϕ 5x16 DIN 1481	4



Upper lever
DF-401-009-001

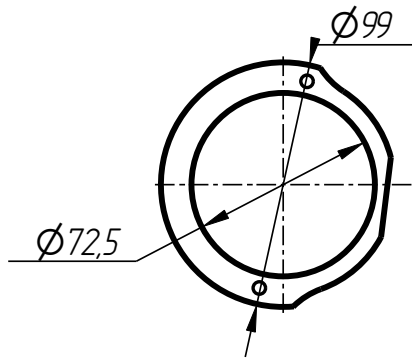
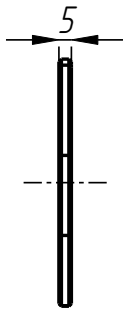


Lower lever
DF-401-009-002

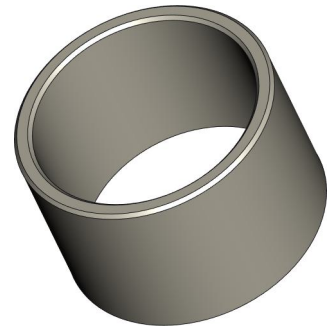
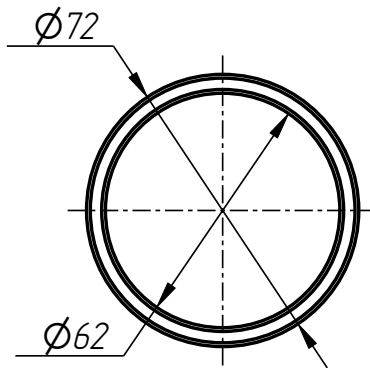
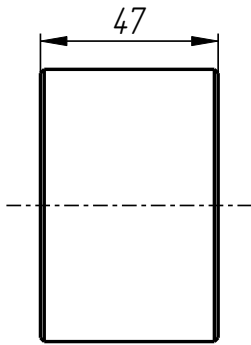


Remote washer
DF-401-001-003

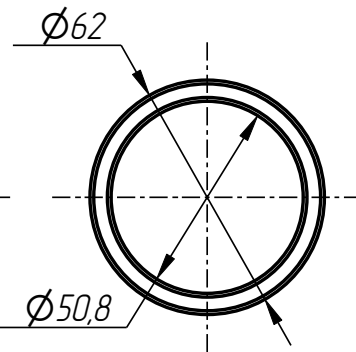
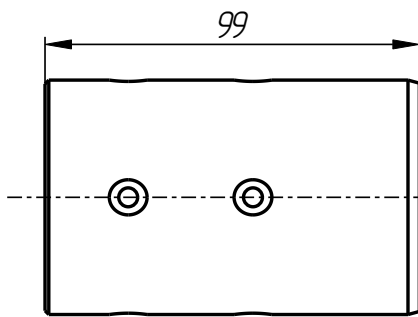
DF-401-009



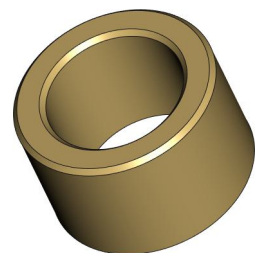
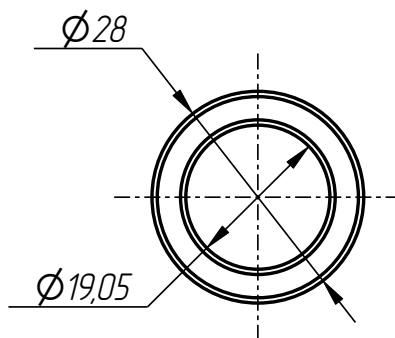
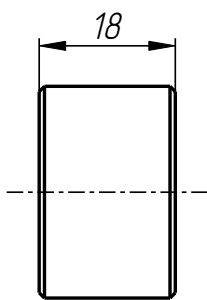
Cap
DF-401-009-003



Bushing
DF-401-001-004



Bushing
DF-401-001-005



Bushing
DF-401-003-001