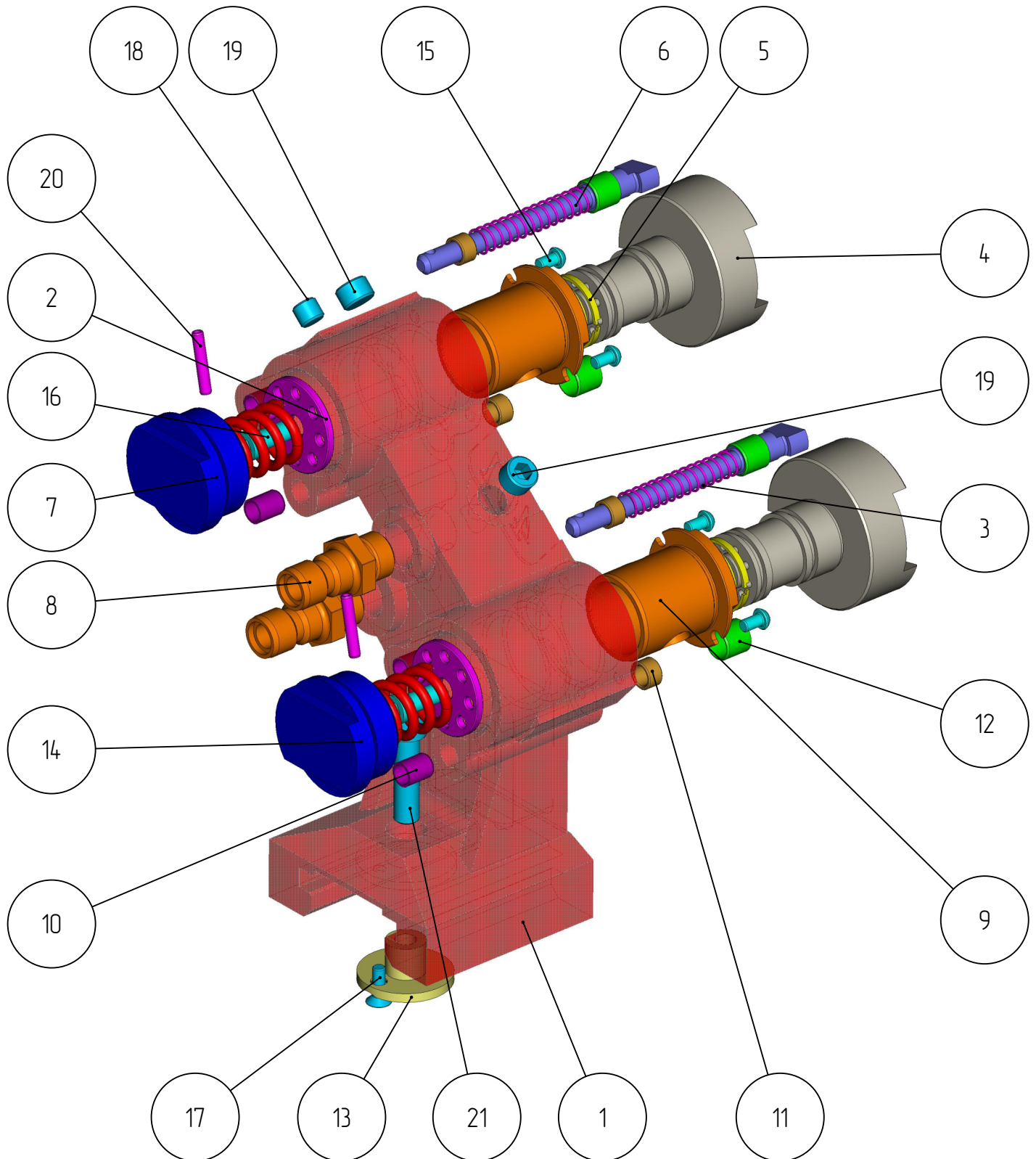


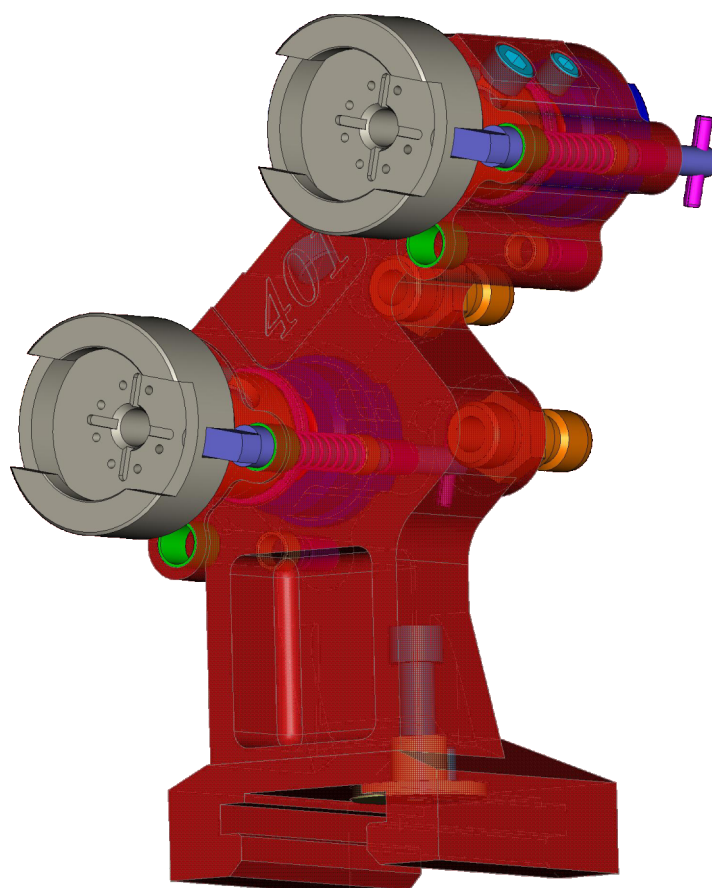
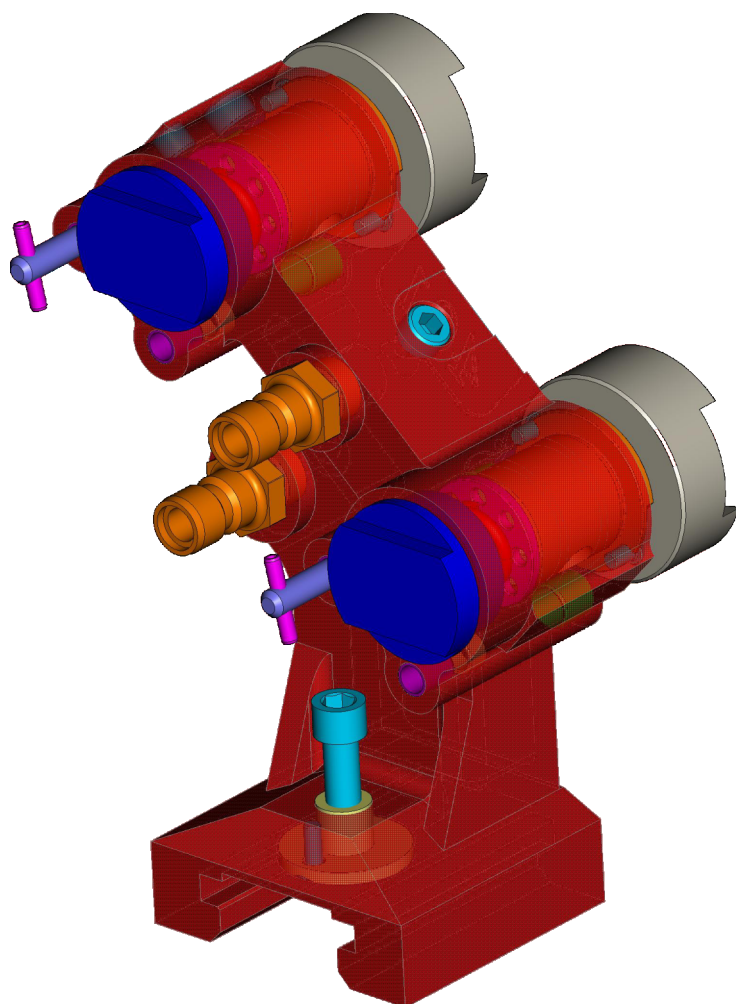
401

KDG-401-006
BLOW HEAD HOLDER (5-1/2")
(IC8-5.10.01.01)

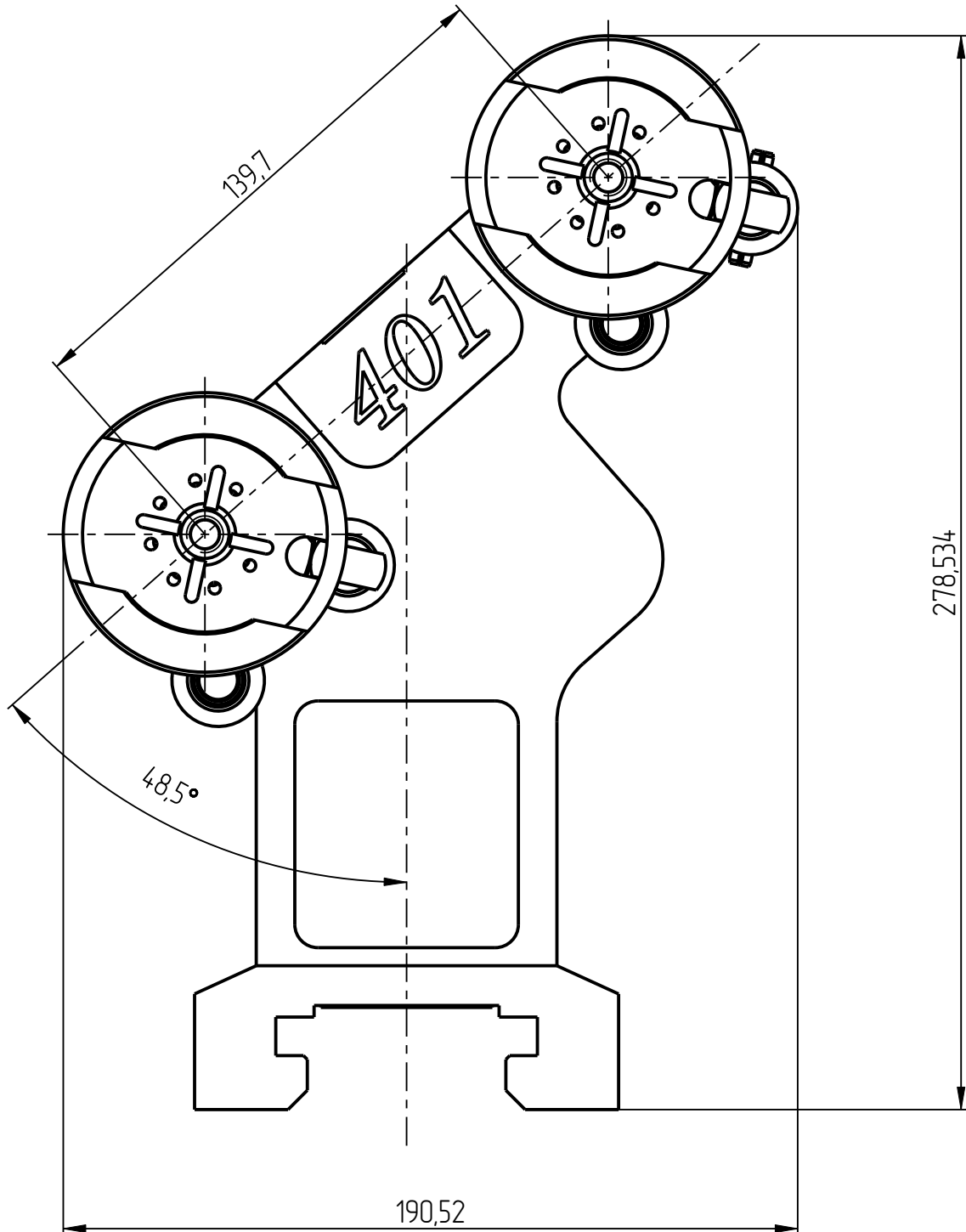
Blow head holder
KDG-401-006



Blow head holder
KDG-401-006



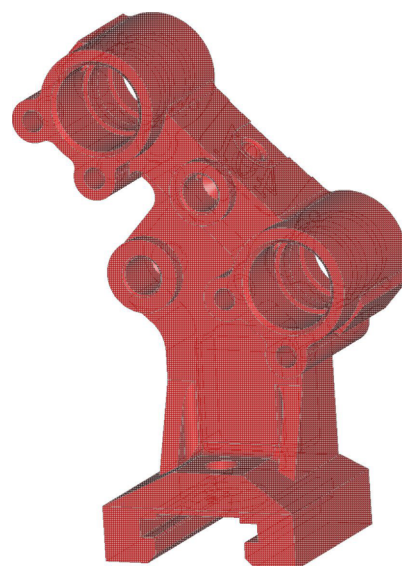
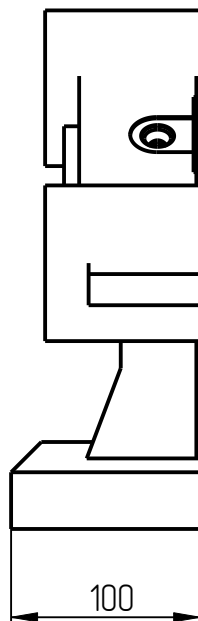
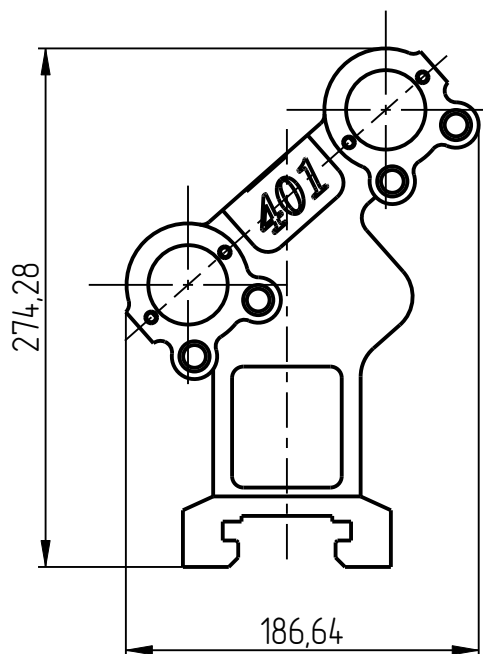
Blow head holder
KDG-401-006



Blow head holder KDG-401-006 Specification

№ pos.	Code	Name	Qty
Parts			
1	KDG-401-006-001	Main body	1
Унифицированные детали			
2	KDG-D-U-46X4-401	Washer	2
3	KDG-F-401	Position pin	2
4	KDG-G2-401	Piston thread type	2
5	KDG-K-P-401	Piston ring	4
6	KDG-P-13X62-401	Spring	2
7	KDG-P-30X35-401	Spring	2
8	KDG-SHT-M22X1_5-401	Connector	2
9	KDG-V1-401	Bushing	2
10	KDG-V2-401	Bushing	4
11	KDG-V3-401	Bushing	4
12	KDG-V4-401	Bushing	4
13	KDG-V5-401	Bushing	1
14	KDG-Z-2D-8N-401	Retainer 2"- 8	2
Standard parts			
15	Screw M6x10 DIN 7380		4
16	Screw 3/8-16x3/4UNC DIN 912		2
17	Screw M6x18 DIN7991		1
18	Threaded plug MK12x1,5 DIN 906		1
19	Threaded plug MK16x1,5 DIN 906		2
20	Spring pin Ø5x30 DIN 1481		2
21	Screw M12x45 DIN 912		1

401



1. Main body
KDG-401-006-001