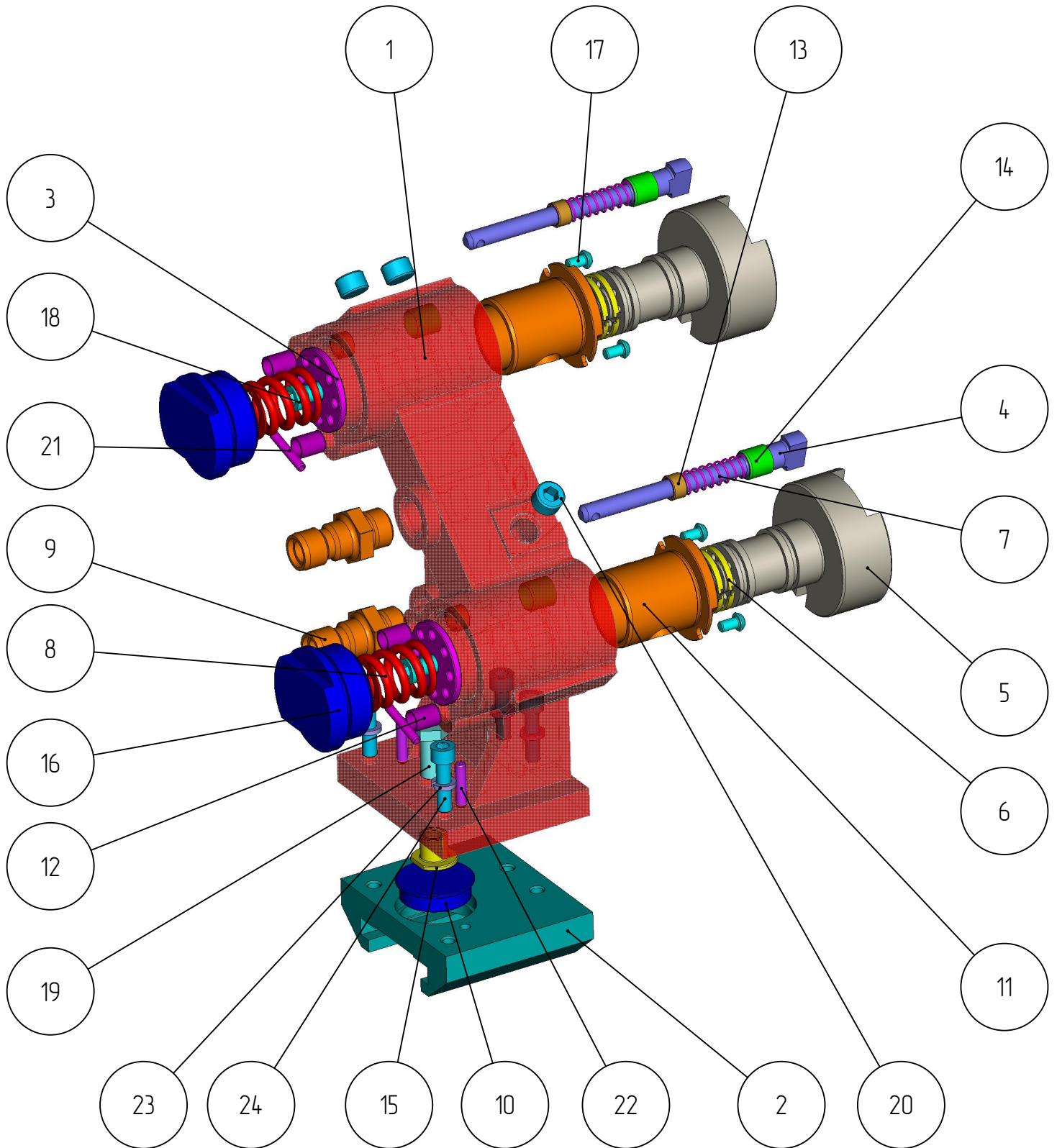


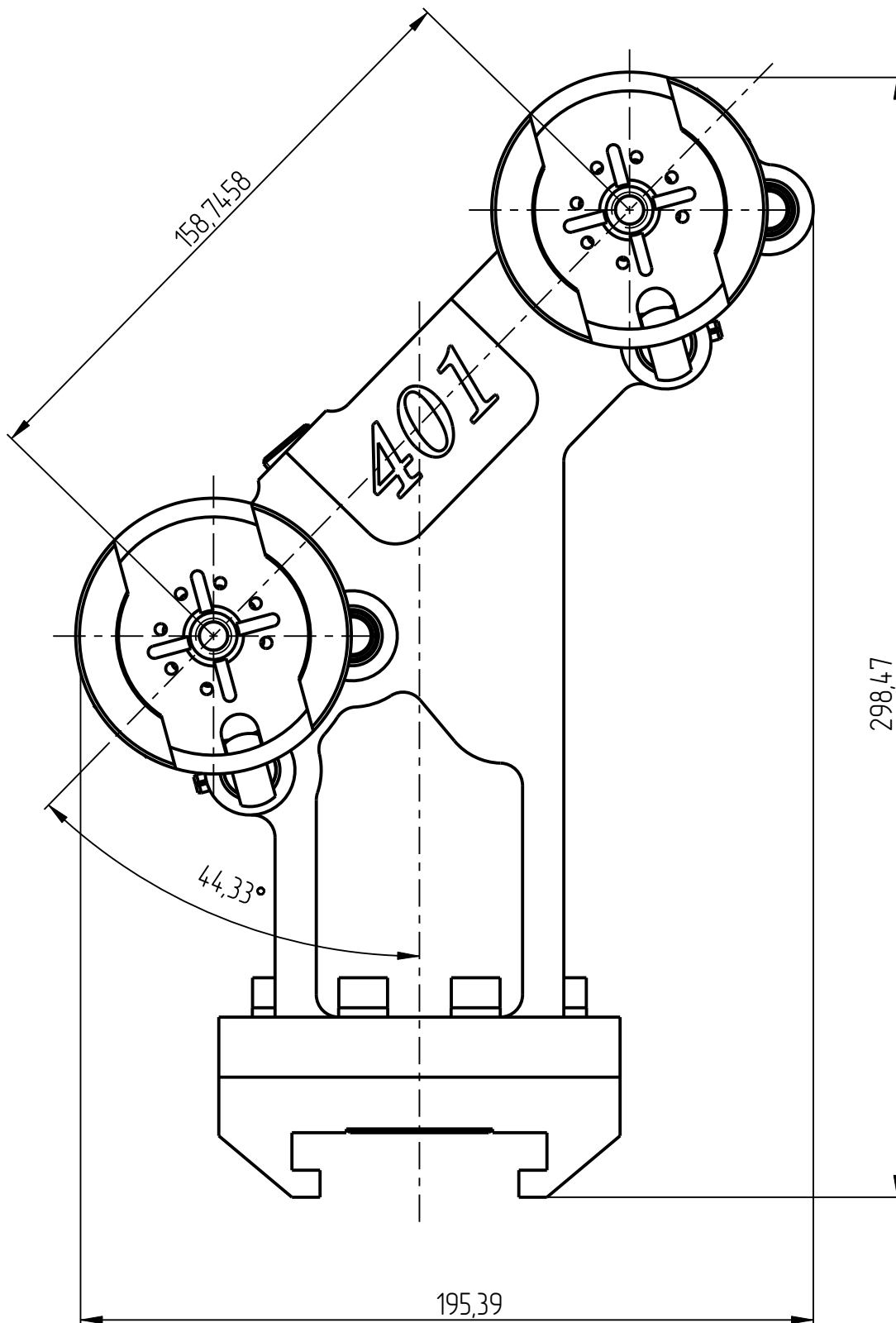
401

KDG-401-004
BLOW HEAD HOLDER (6 1/4")
(KDG-391.158.75.00)

Blow head holder
KDG-401-004



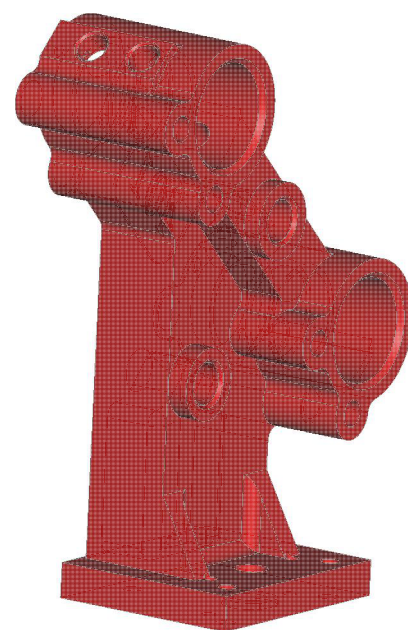
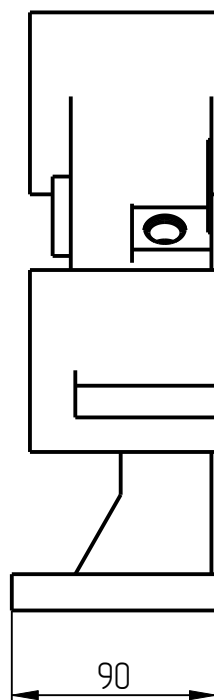
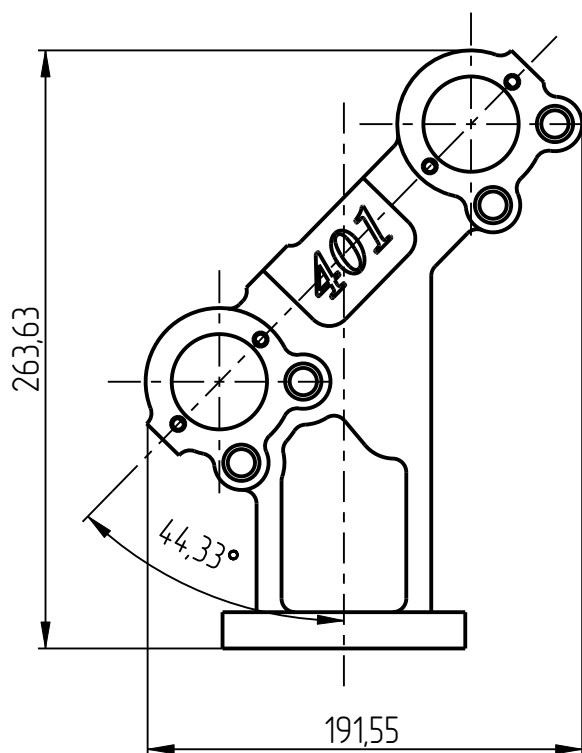
Blow head holder
KDG-401-004



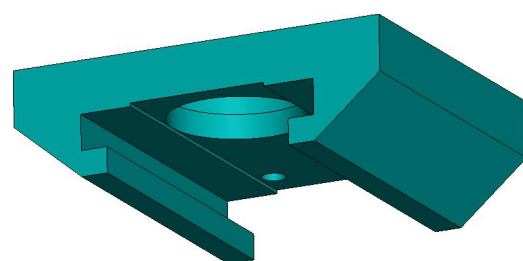
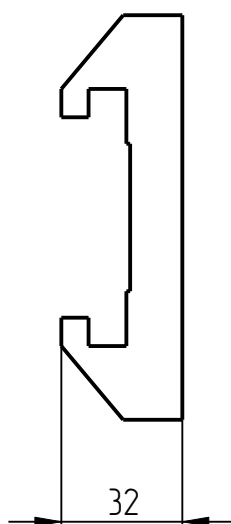
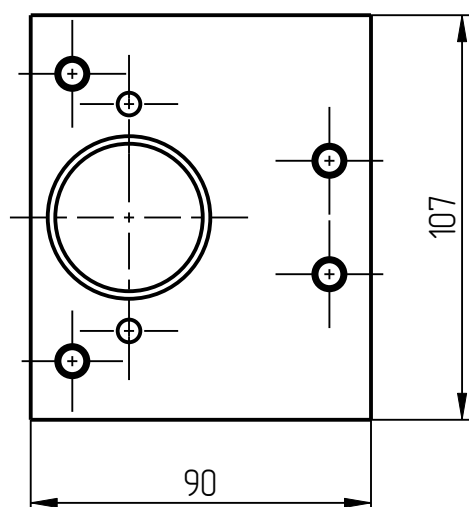
Blow head holder KDG-401-004 Specification

№ pos.	Code	Name	Qty
Parts			
1	KDG-401-004-01	Main body	1
2	KDG-401-004-02	Support	1
Unified parts			
3	KDG-D-U-46X4-401	Washer	2
4	KDG-F-401	Position pin	2
5	KDG-G2-401	Piston thread type	2
6	KDG-K-P-401	Piston ring	4
7	KDG-P-13X62-401	Spring	2
8	KDG-P-30X35-401	Spring	2
9	KDG-SHT-G1_2-401	Connector	2
10	KDG-SHU-401	Washer	1
11	KDG-V1-401	Bushing	2
12	KDG-V2-401	Bushing	4
13	KDG-V3-401	Bushing	4
14	KDG-V4-401	Bushing	4
15	KDG-V6-401	Bushing	1
16	KDG-Z-2D-8N-401	Retainer 2"- 8	2
Standard parts			
17	Screw M6x10 DIN 7380		4
18	Screw 3/8-16x3/4UNC DIN 912		2
19	Hexagon head screw M12x25 DIN 933		1
20	Threaded plug MK16x1,5 DIN 906		3
21	Spring pin Ø5x30 DIN 1481		2
22	Pin 6x25 DIN 6325		2
23	Spring washer M8 DIN 127		4
24	Screw M8x30 DIN 912		4

401



1. Main body
KDG-401-004-01



2. Support
KDG-401-004-02