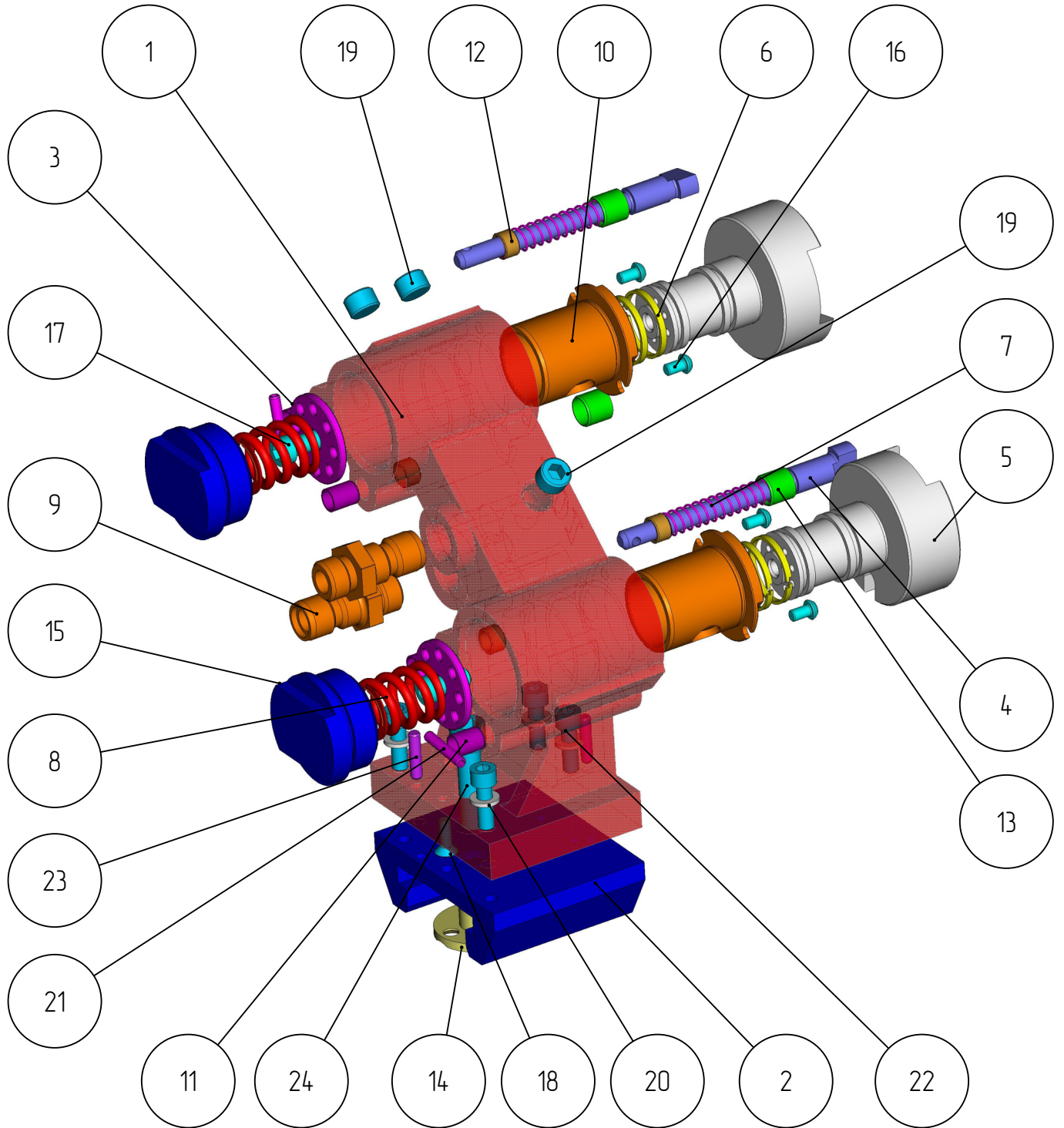


401

KDG-401-003
BLOW HEAD HOLDER
(191-26756-400)

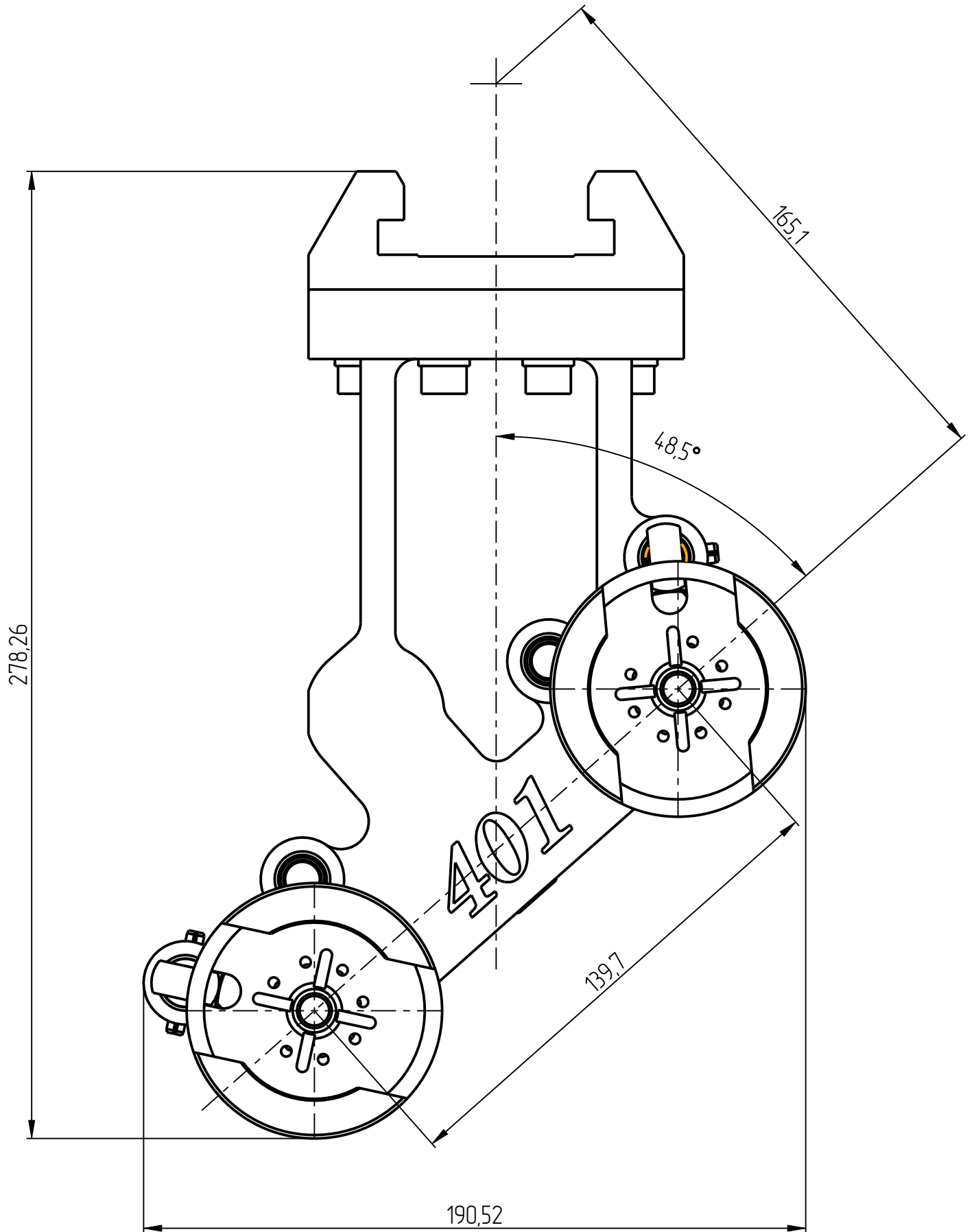
Blow head holder
KDG-401-003

401

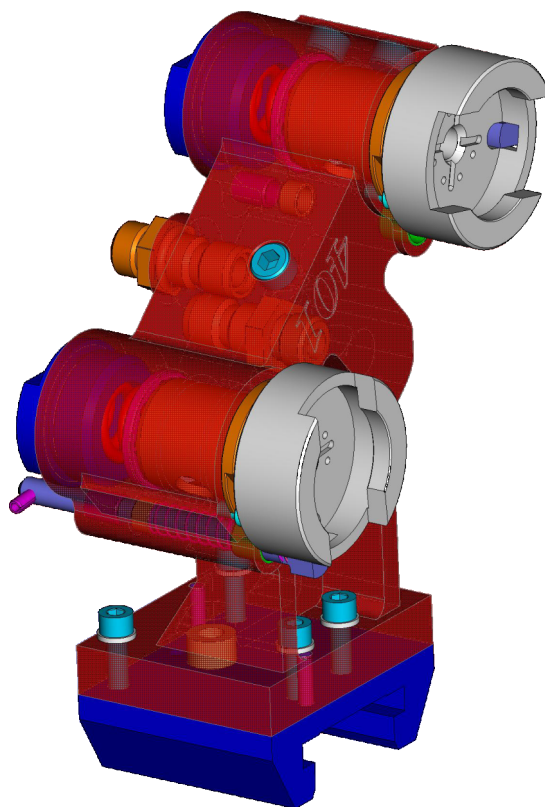
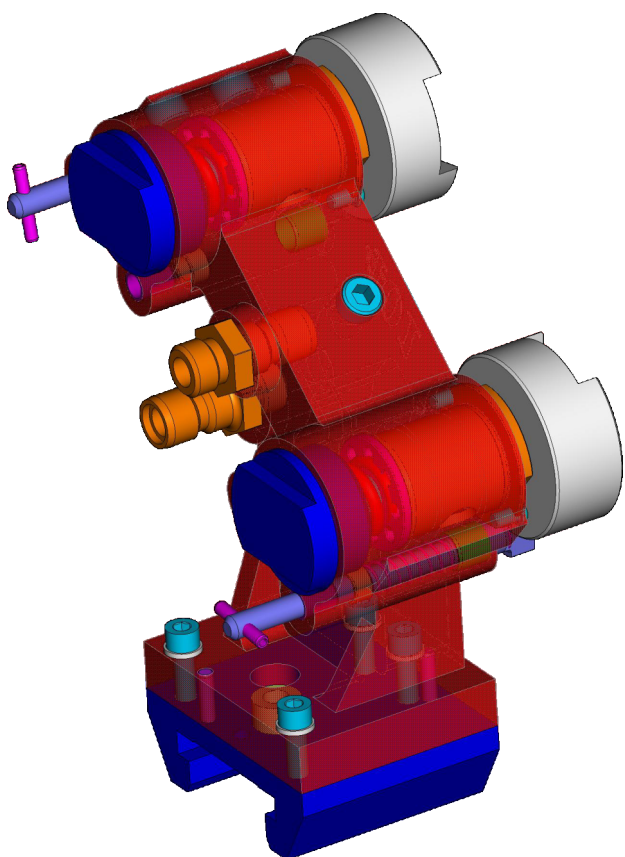


Blow head holder
KDG-401-003

401



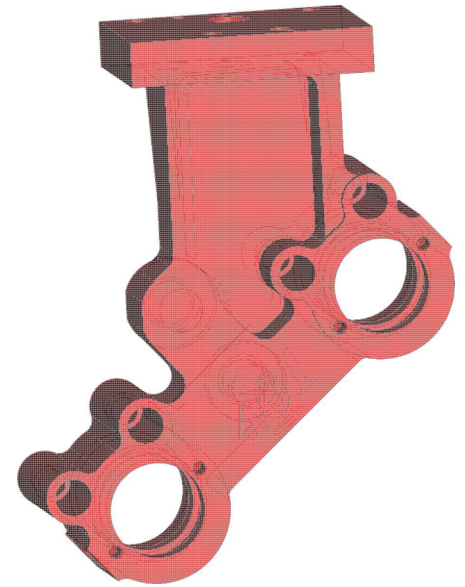
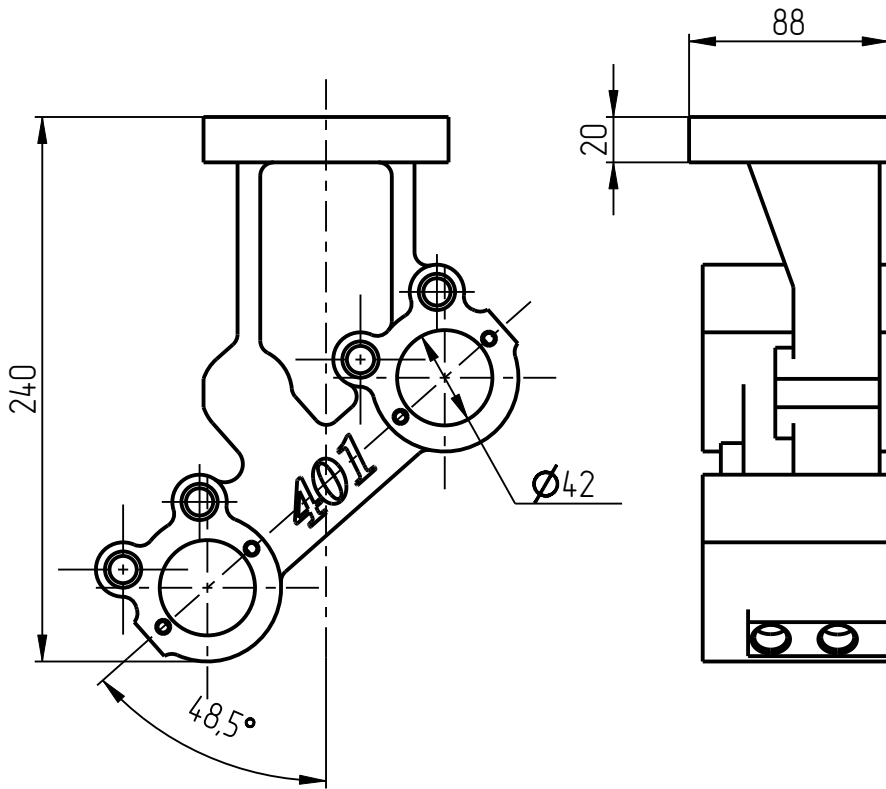
Blow head holder
KDG-401-003



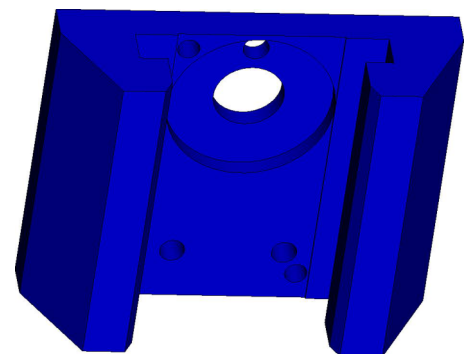
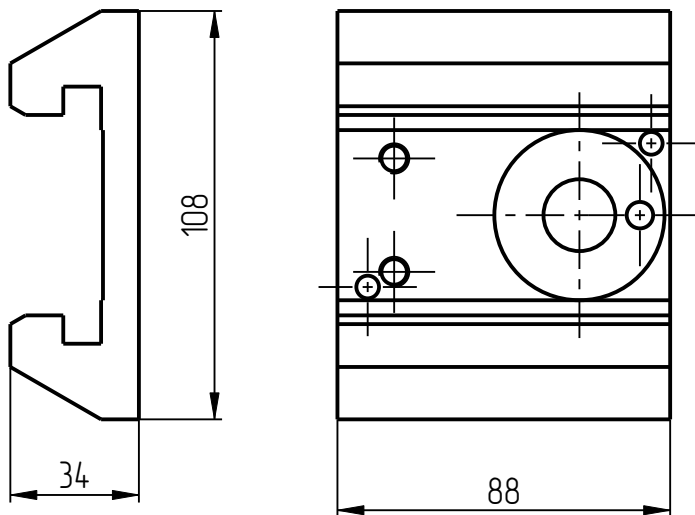
Blow head holder KDG-401-003 Specification

№ pos.	Code	Name	Qty
Parts			
1	KDG-401-003-001	Main body	1
2	KDG-401-003-002	Support	1
Unified parts			
3	KDG-D-U-46X4-401	Washer	2
4	KDG-F-401	Position pin	2
5	KDG-G2-401	Piston thread type	2
6	KDG-K-P-401	Piston ring	4
7	KDG-P-13X62-401	Spring	2
8	KDG-P-30X35-401	Spring	2
9	KDG-SHT-G1_2-401	Connector male	2
10	KDG-V1-401	Bushing	2
11	KDG-V2-401	Bushing	4
12	KDG-V3-401	Bushing	4
13	KDG-V4-401	Bushing	4
14	KDG-V5-401	Bushing	1
15	KDG-Z-2D-8N-401	Retainer 2"- 8	2
Standard parts			
16	Screw M6x10 DIN 7380		4
17	Screw 3/8-16x3/4UNC DIN 912		2
18	Screw M6x18 DIN7991		1
19	Threaded plug MK16x1,5 DIN 906		3
20	Spring washer B8-A4 DIN 127		4
21	Spring pin Ø5x30 DIN 1481		2
22	Screw M8x25 DIN 912		4
23	Pin 6Гx25 DIN 6325		2
24	Screw M12x45 DIN 912		1

401



1. Main body
KDG-401-003-001



2. Support
KDG-401-003-002