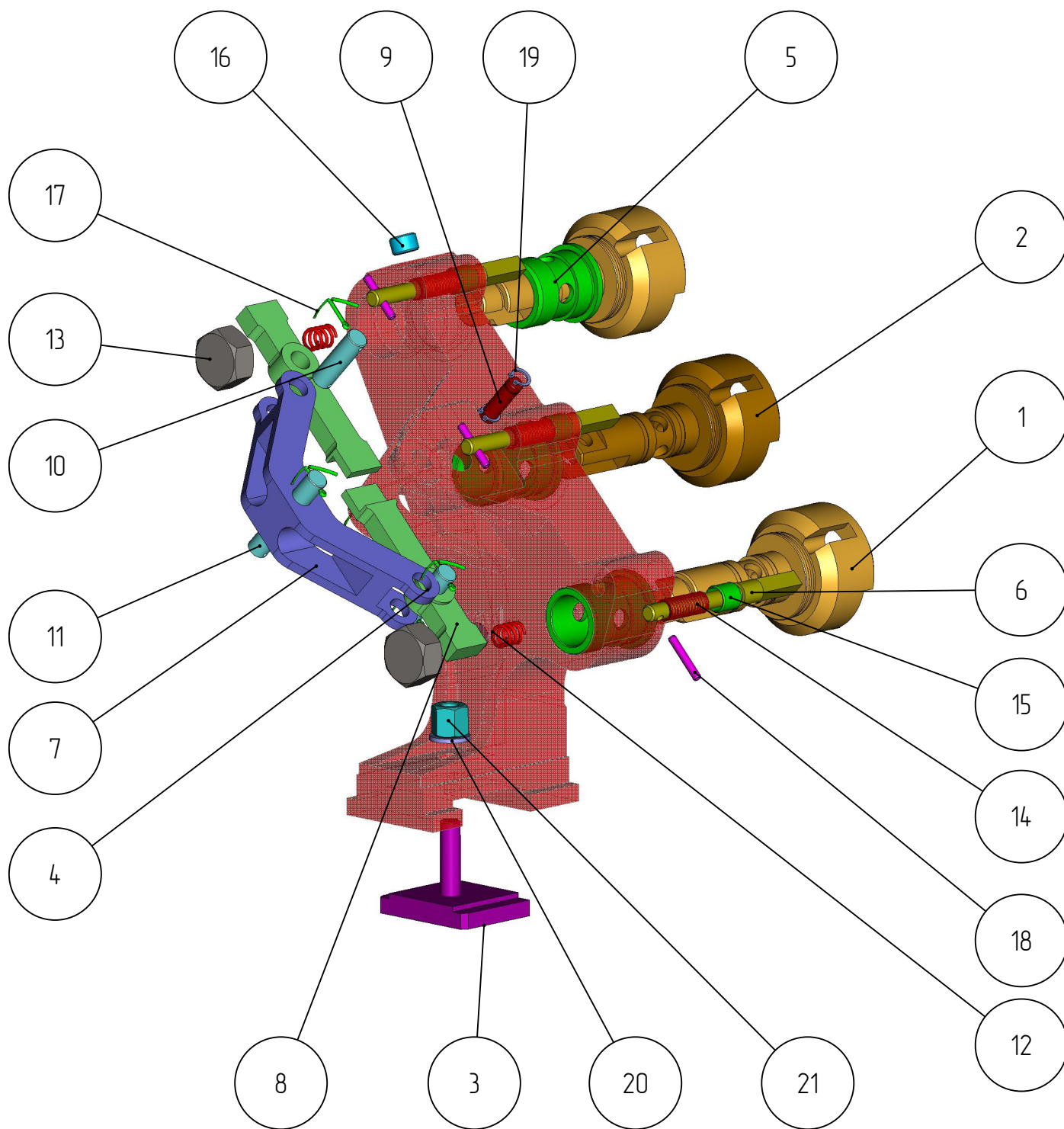


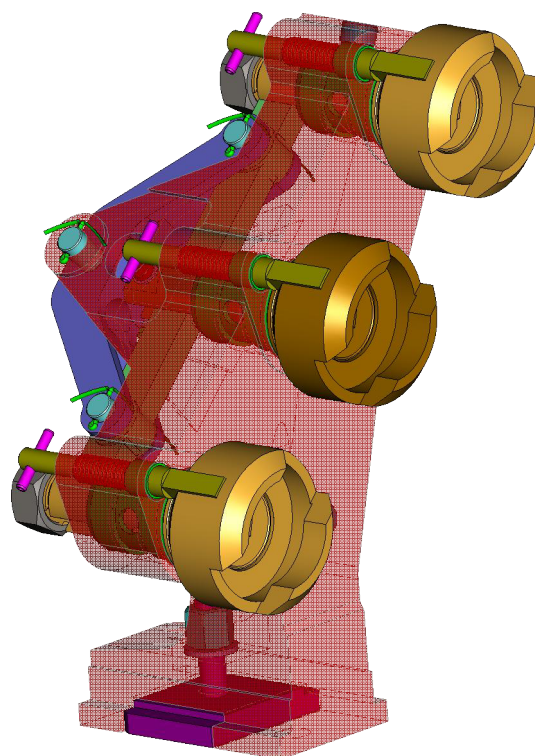
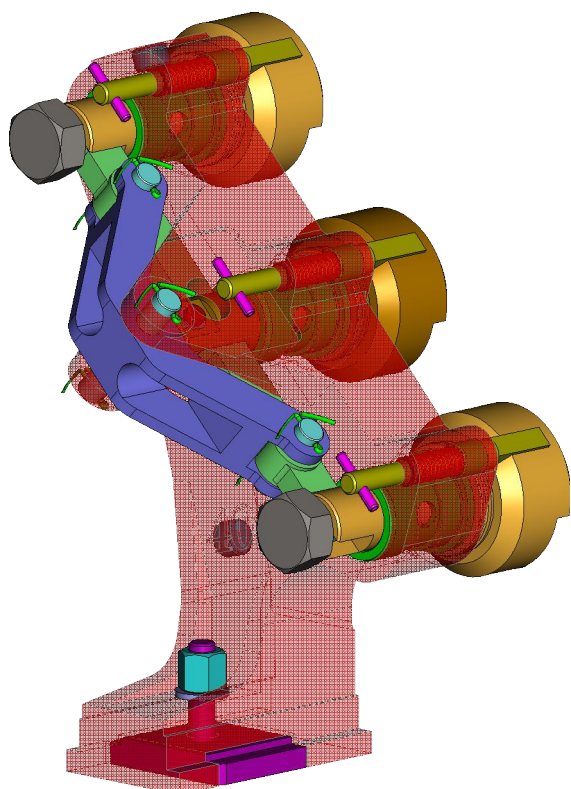
401

DPG-401-002
BAFFLE HOLDER 4-1/4"
(D223-16996)

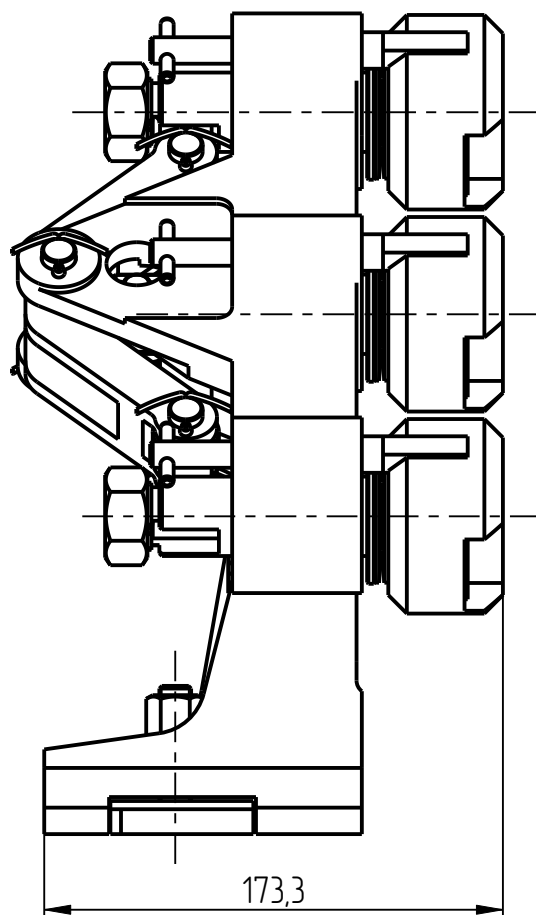
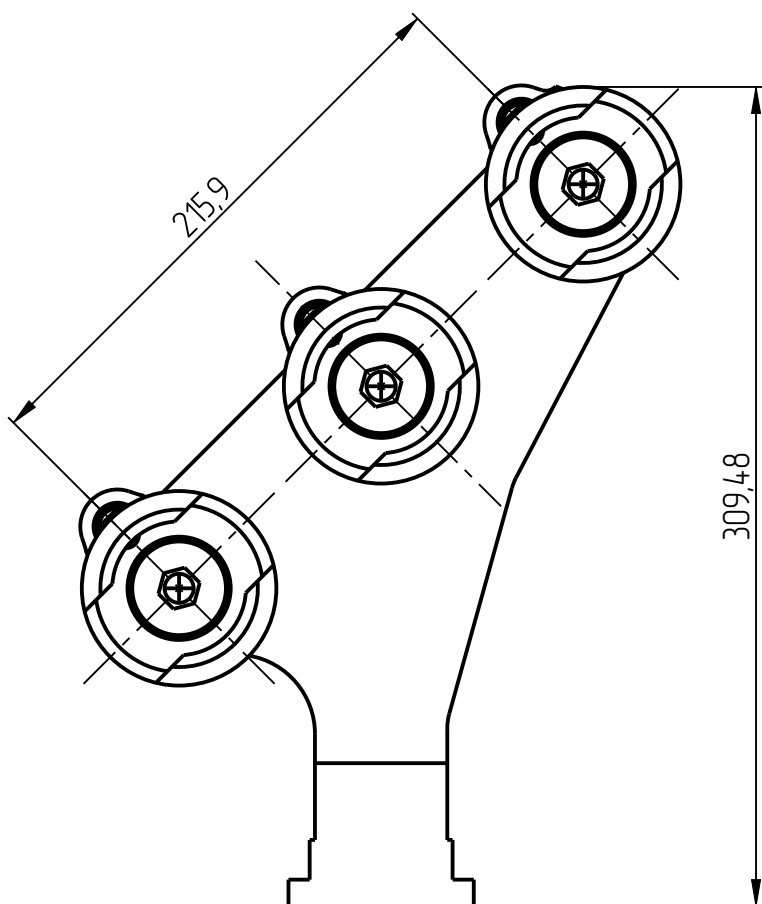
Baffle holder
DPG-401-002



Baffle holder
DPG-401-002

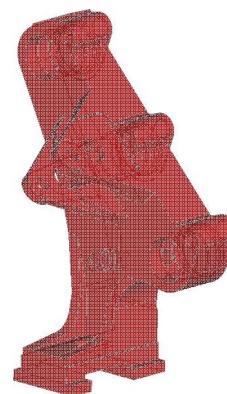
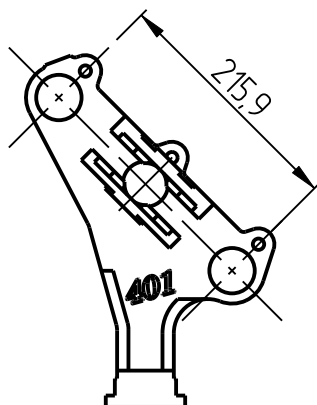
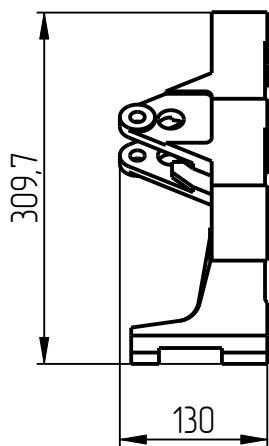


Baffle holder
DPG-401-002

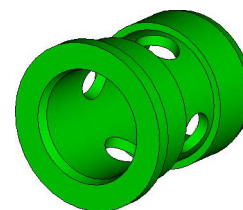
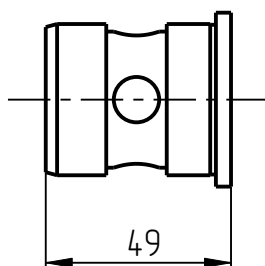
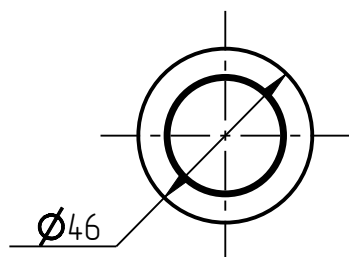


Baffle holder DPG-401-002 Specification

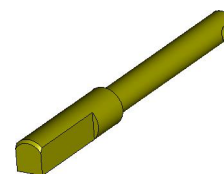
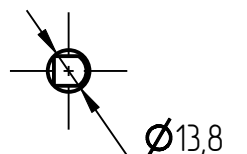
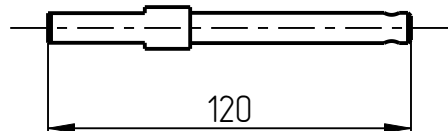
№ pos.	Code	Name	Qty
Assemblies			
1	DPG-401-002-003	Baffle lock ring	2
2	DPG-401-002-004	Baffle lock ring	1
3	DPG-401-002-012	Holding plate	1
Parts			
4	DPG-401-002-001	Main body	1
5	DPG-401-002-002	Bushing	3
6	DPG-401-002-005	Position pin	3
7	DPG-401-002-006	Equalizer	1
8	DPG-401-002-007	Arm	2
9	DPG-401-002-008	Bolt	1
10	DPG-401-002-009	Bolt	2
11	DPG-401-002-009	Bolt	1
12	DPG-401-002-010	Spring	2
13	DPG-401-002-011	Cap	2
Unified parts			
14	KDG-P-13x62-401	Spring	3
15	KDG-V4-401	Bushing	3
Standard parts			
16	Threaded plug MK16x1,5 DIN 906		2
17	Split pin 3x32 DIN 94		6
18	Spring Pin Ø5x30 DIN 1481		3
19	Retaining ring A10 DIN 471		2
20	Waher 12 DIN 125		1
21	Nut M12 DIN 936		1



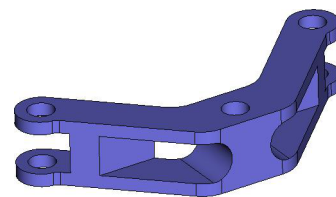
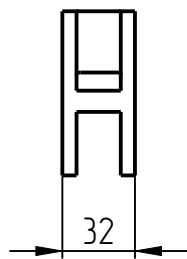
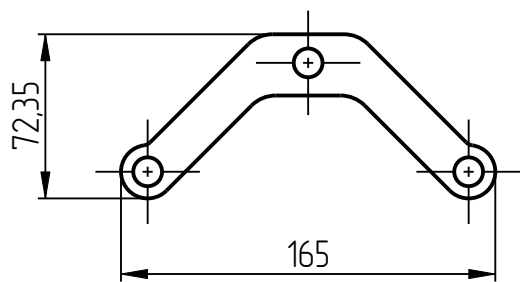
4. Main body
DPG-401-002-001



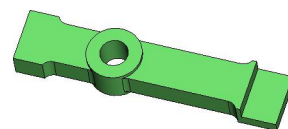
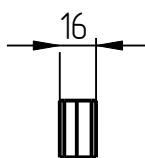
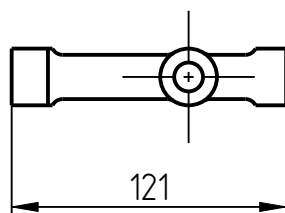
5. Bushing
DPG-401-002-002



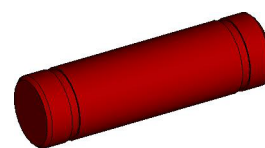
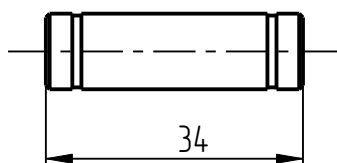
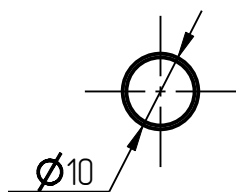
6. Position pin
DPG-401-002-005



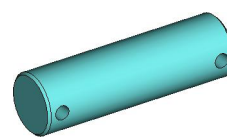
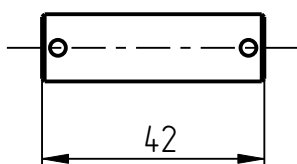
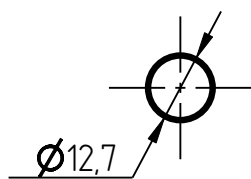
7. Equalizer
DPG-401-002-006



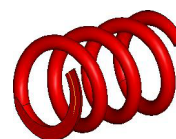
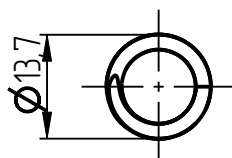
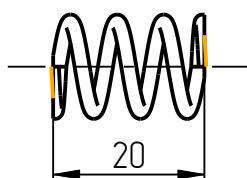
8. Arm
DPG-401-002-007



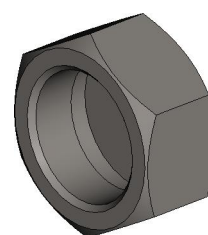
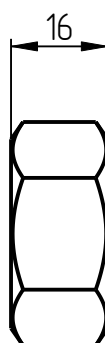
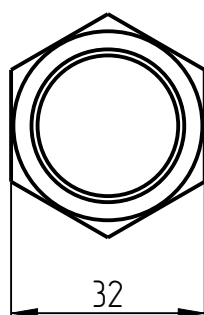
9. Bolt
DPG-401-002-008



10, 11. Bolt
DPG-401-002-009



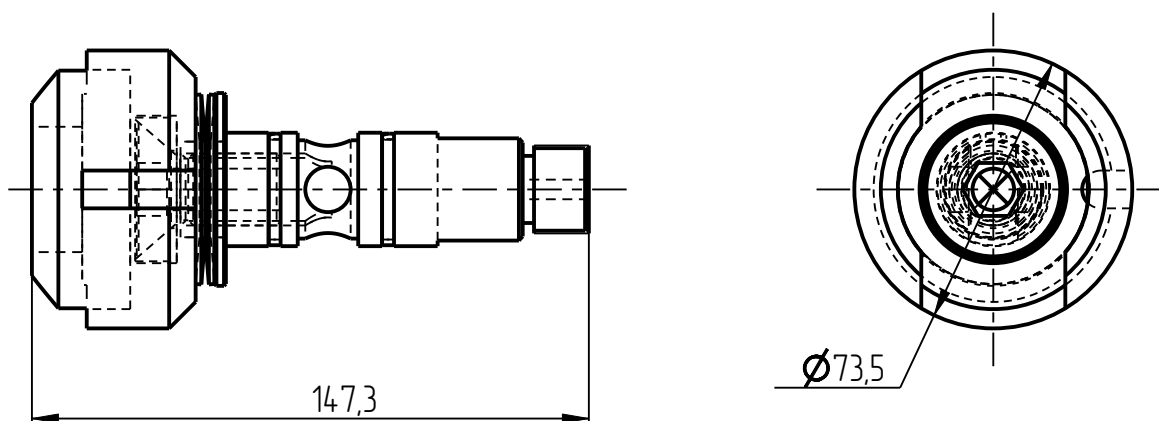
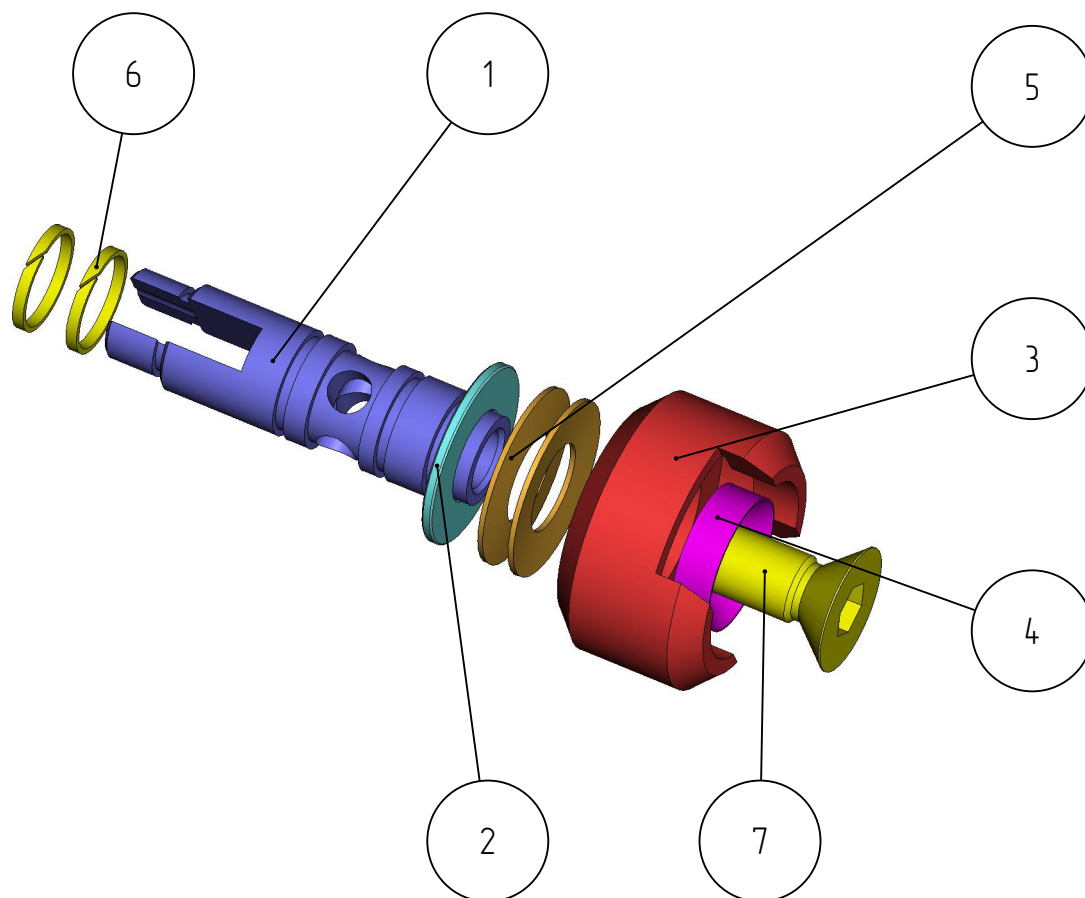
12. Equalizer
DPG-401-002-010

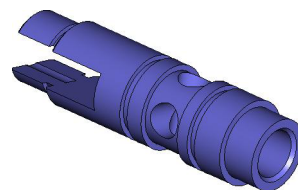
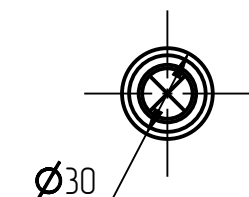
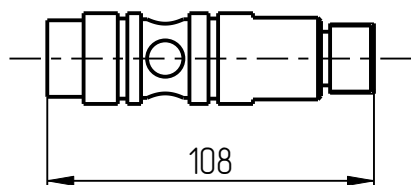


13. Cap
DPG-401-002-011

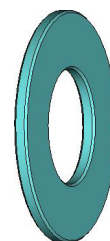
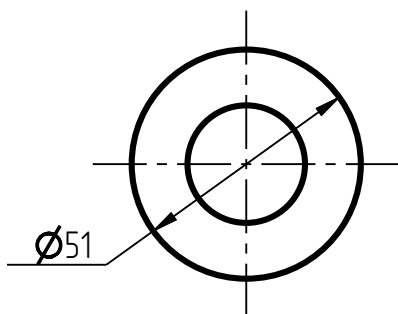
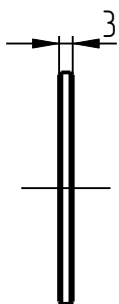
Assemblies

1. Baffle lock ring DPG-401-002-003

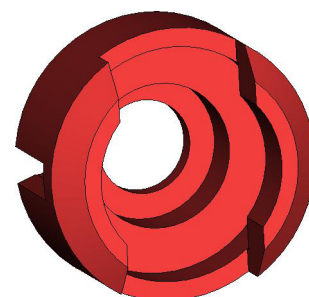
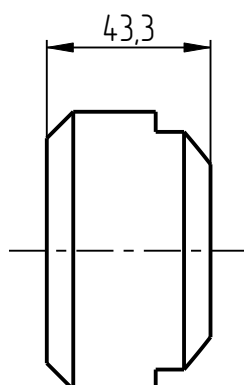
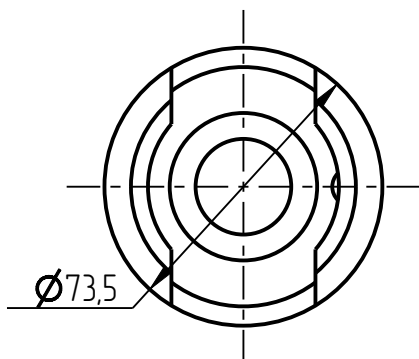




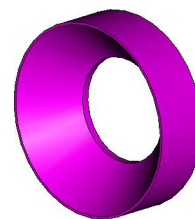
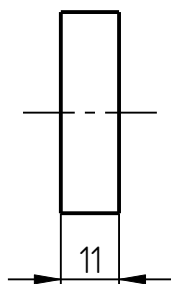
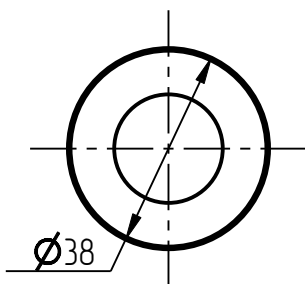
1. Retainer stud
DPG-401-002-003-01



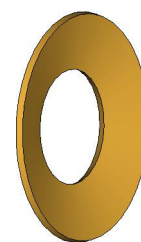
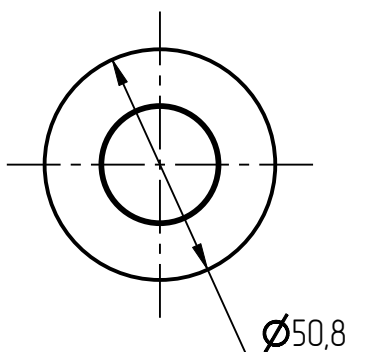
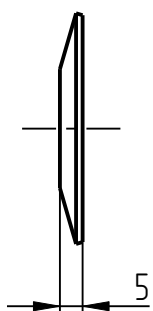
2. Washer
DPG-401-002-003-02



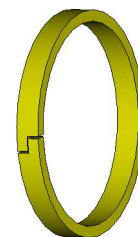
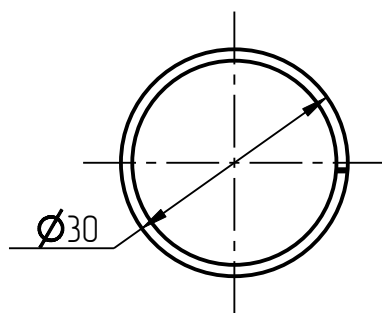
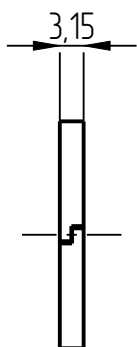
3. Lock ring
DPG-401-002-003-03



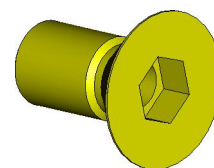
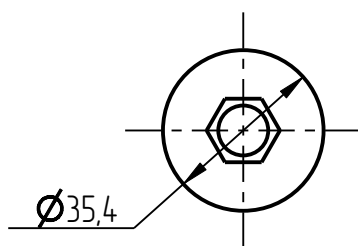
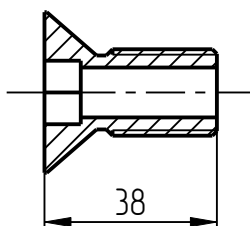
4. Коническая втулка
DPG-401-002-003-04



5. Пружина тарельчатая
DPG-401-002-003-05



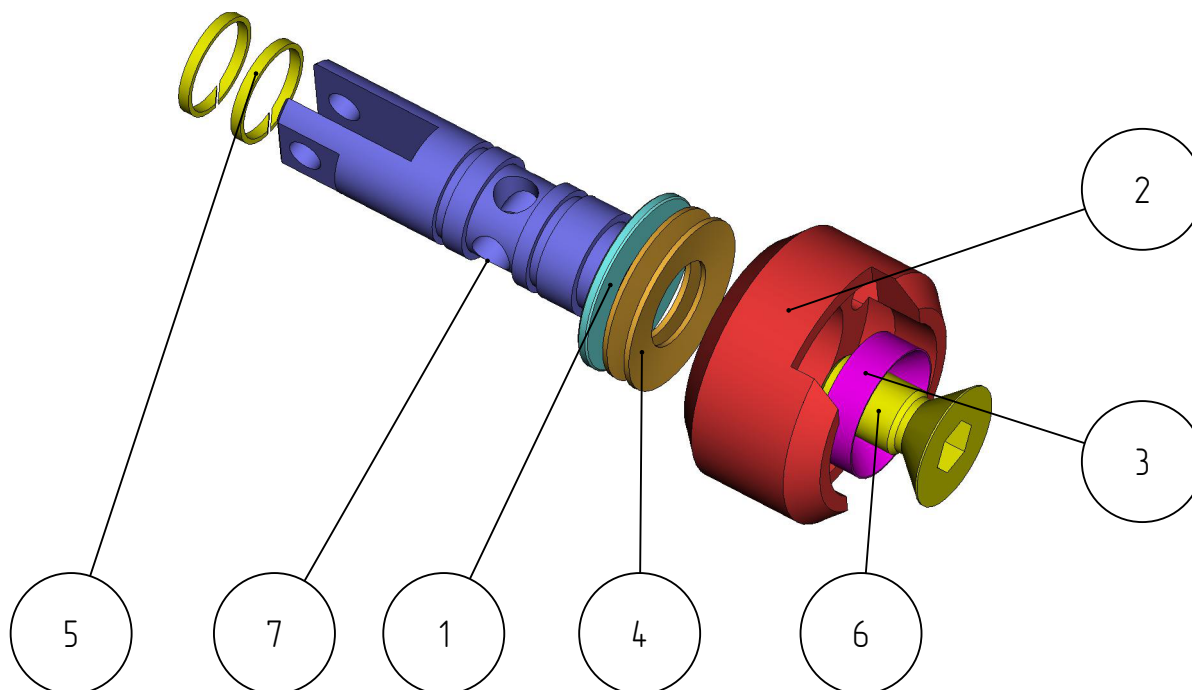
6. Кольцо поршневое
DPG-401-002-003-006



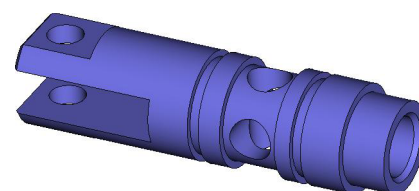
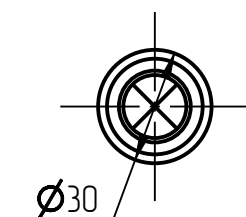
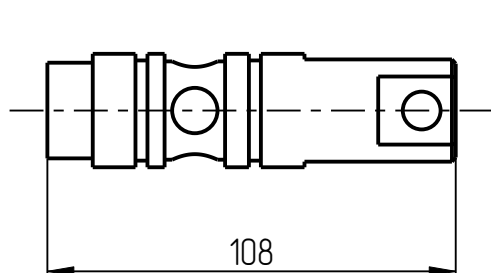
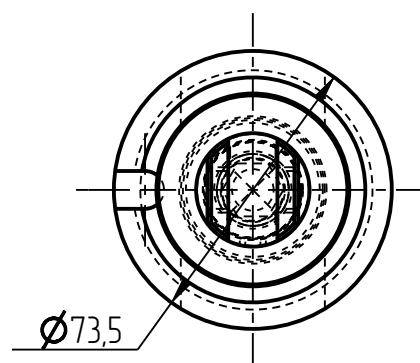
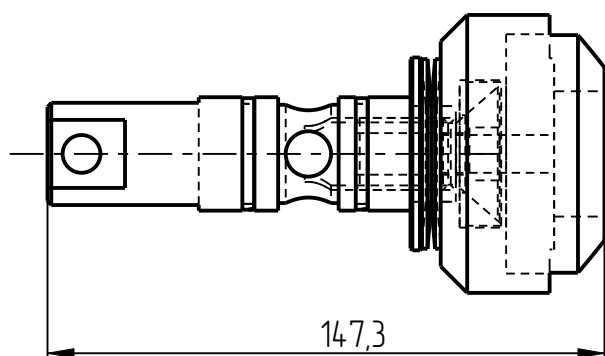
7. Винт 3/4-10UNC
DPG-401-002-003-07

2. Baffle lock ring

DPG-401-002-004



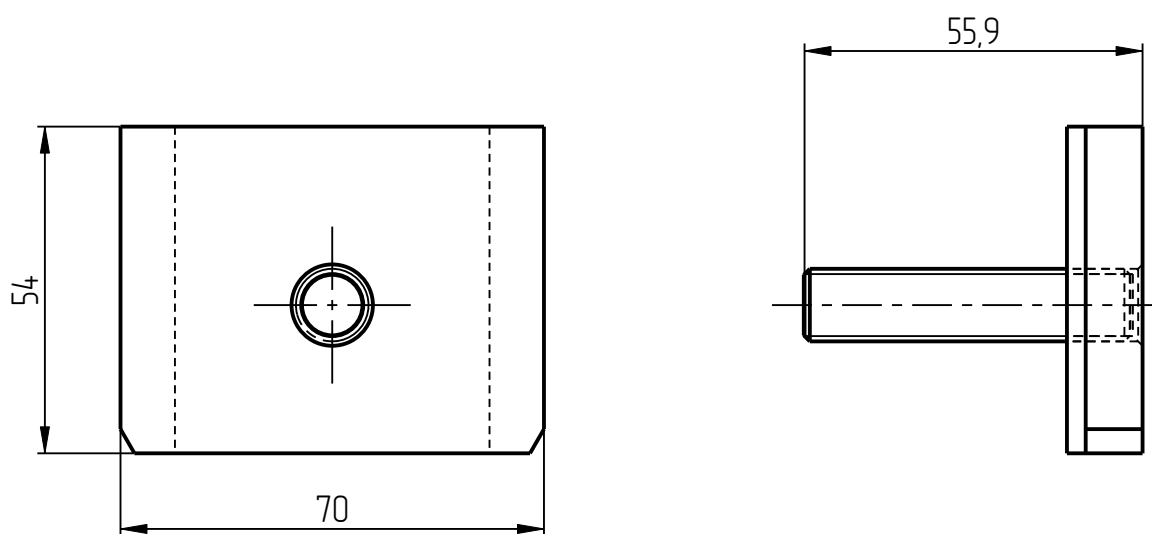
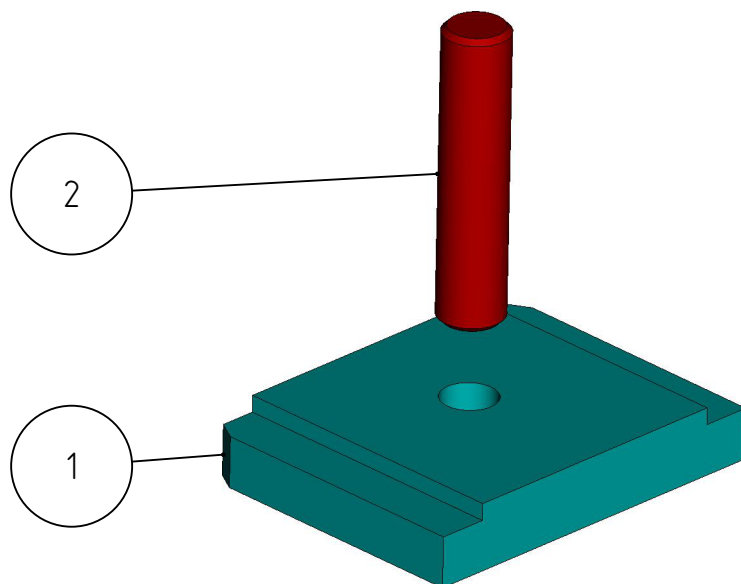
Nº pos.	Code	Name	Qty
1	DPG-401-002-003-02	Washer	1
2	DPG-401-002-003-03	Lock ring	1
3	DPG-401-002-003-04	Bushing	1
4	DPG-401-002-003-05	Spring bushing 50x25x1,5x1,5	2
5	DPG-401-002-003-06	Piston ring	2
6	DPG-401-002-003-07	Screw 3/4-10UNC	1
7	DPG-401-002-004-01	Retainer stud	1

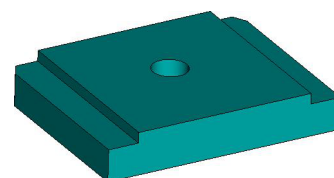
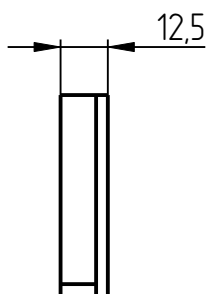
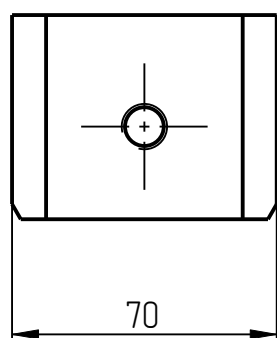


7. Retainer stud
DPG-401-002-004-01

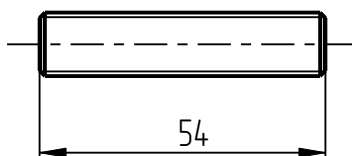
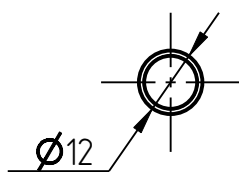
3. Holding plate

DPG-401-002-012





1. Holding plate
DPG-401-002-012-01



2. Threaded stud
DPG-401-002-012-02