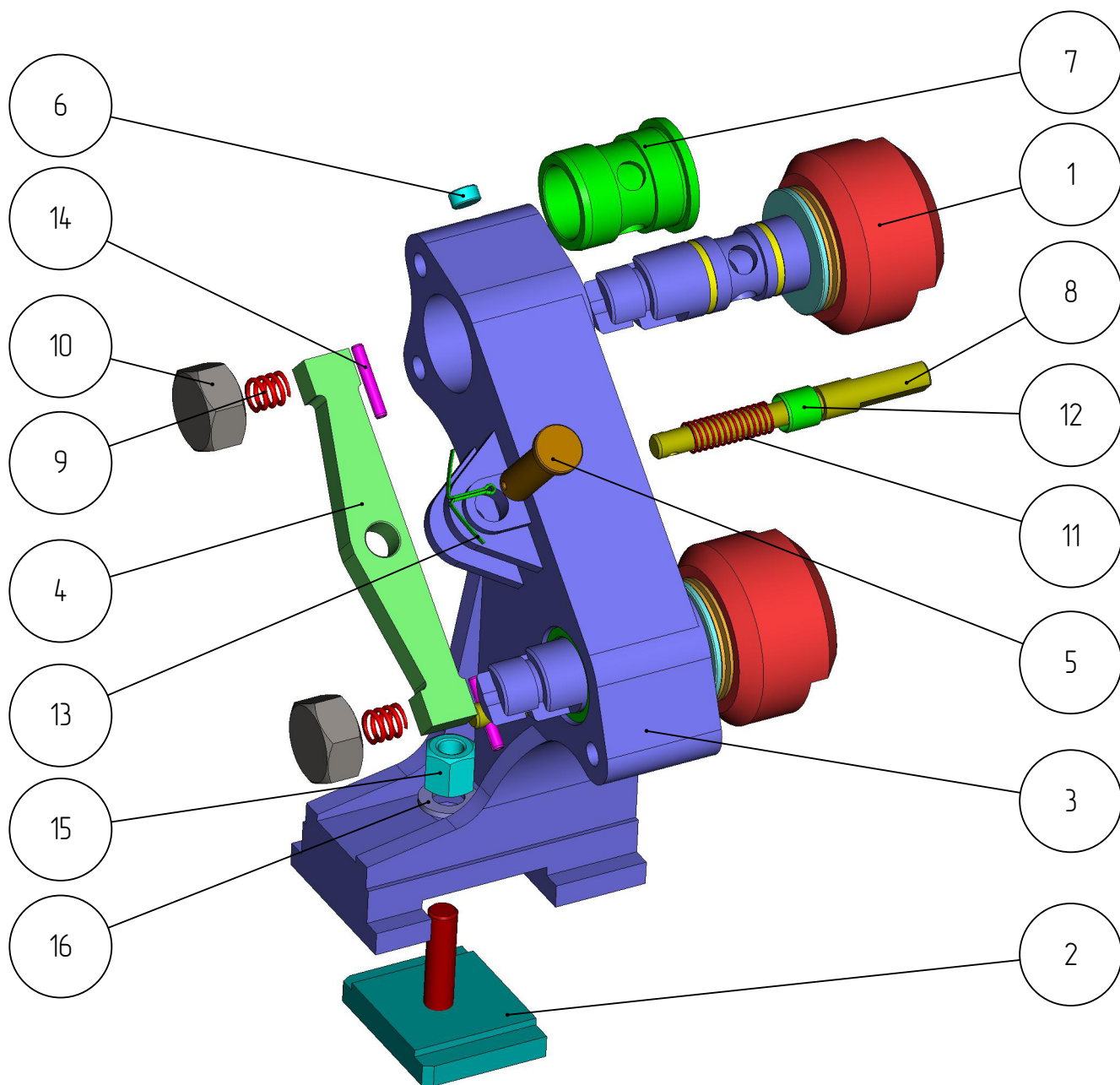


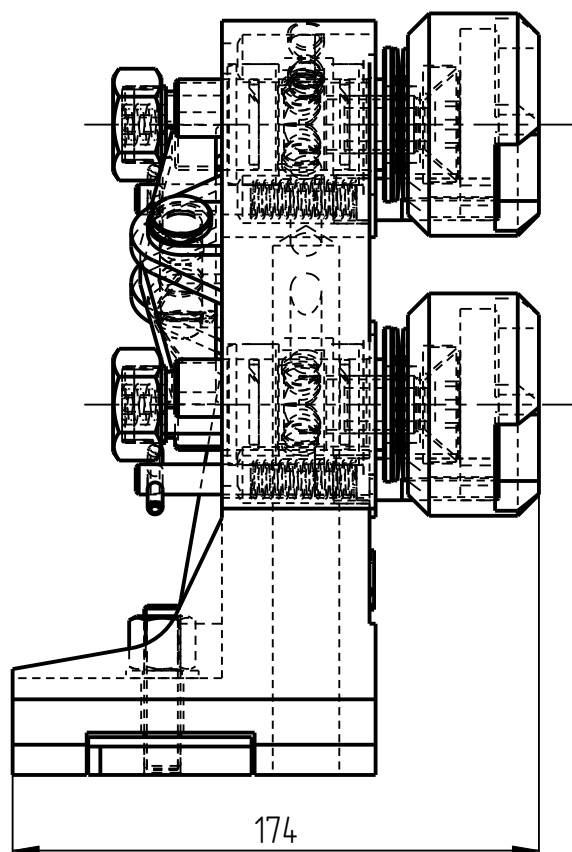
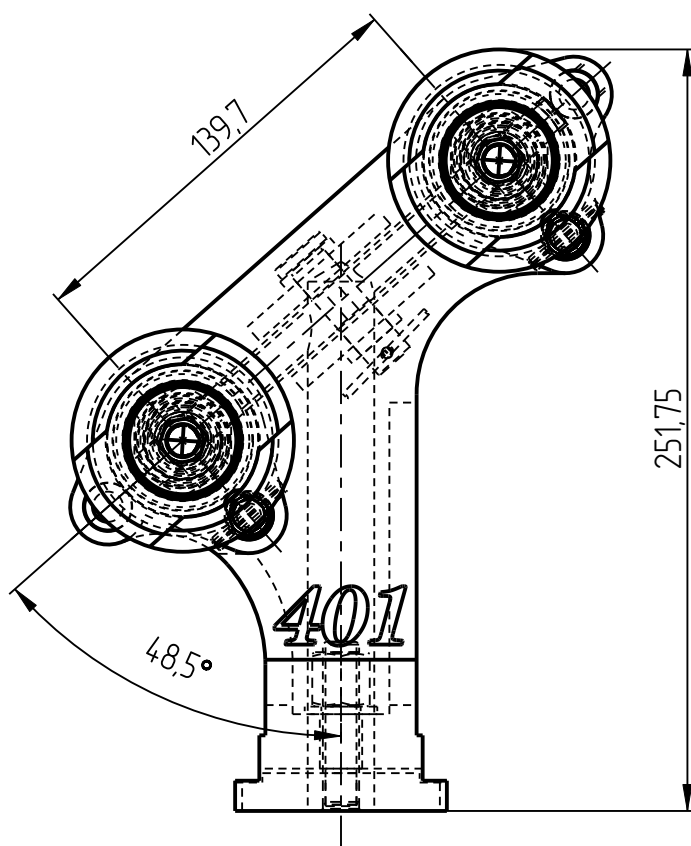
401

DPG-401-001m1
BAFFLE HOLDER 5-1/2"
(23-1435-2M1)

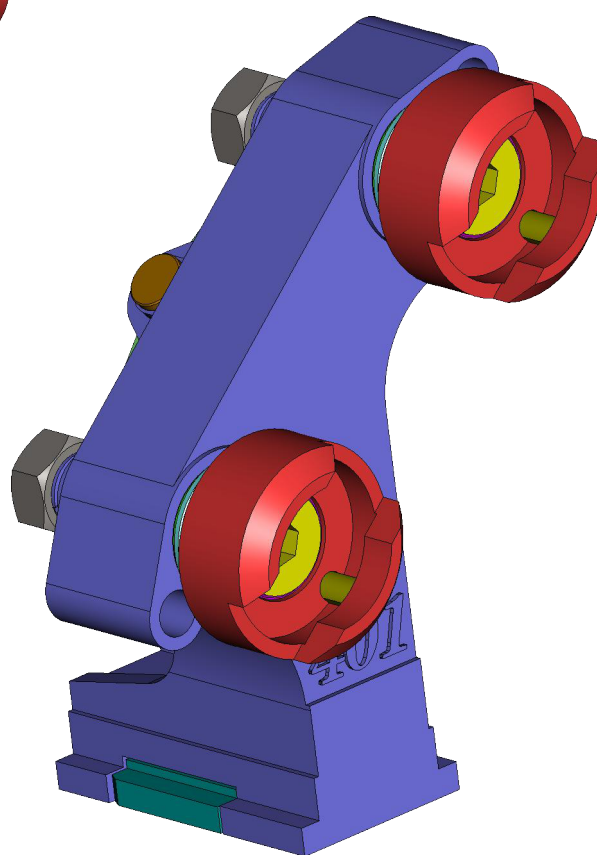
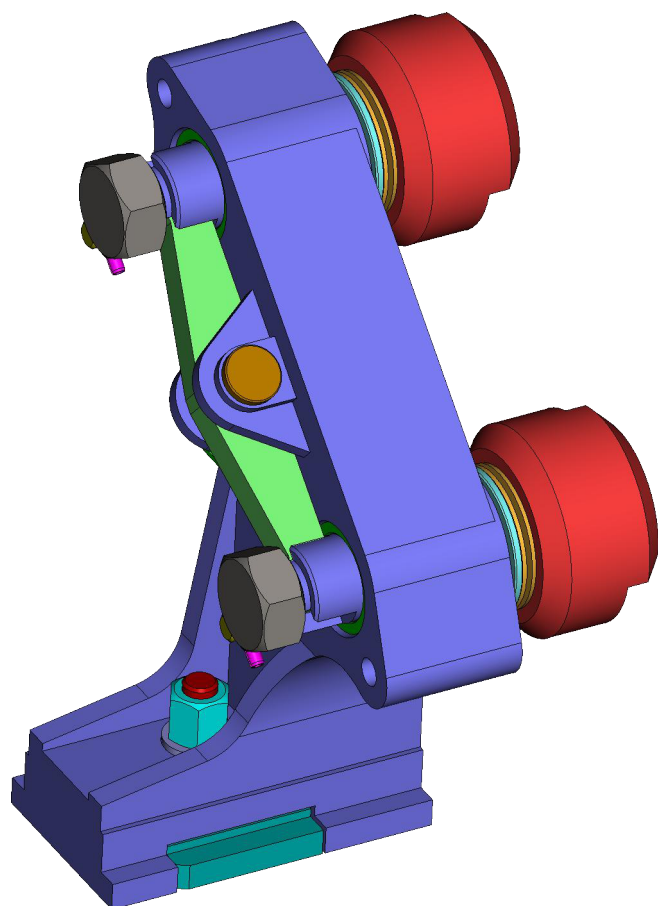
Baffle holder DPG-401-001m1



Baffle holder DPG-401-001m1



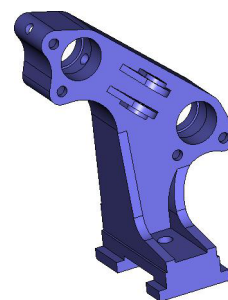
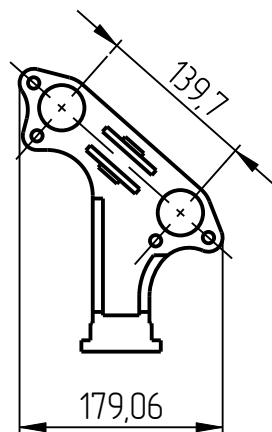
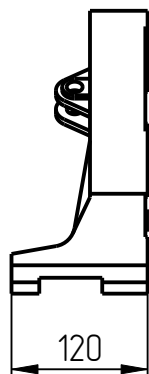
Baffle holder DPG-401-001m1



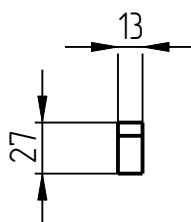
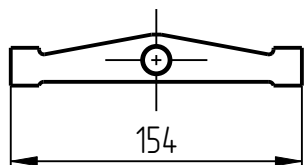
Baffle holder DPG-401-001m1

Спецификация

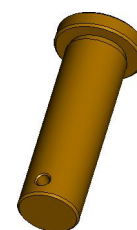
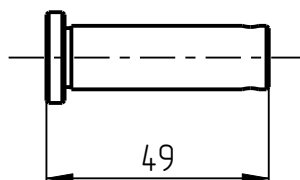
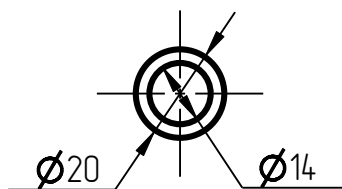
№ pos.	Code	Name	Qty
Assemblies			
1	DPG-401-001-004	Baffle lock ring	2
2	DPG-401-002-012	Holding plate	1
Parts			
3	DPG-401-001m1	Main body	1
4	DPG-401-001-002	Equalizer	1
5	DPG-401-001-003	Bolt	1
6	DPG-401-001-005	Threaded plug	1
7	DPG-401-002-002	Bushing	2
8	DPG-401-002-005	Position pin	2
9	DPG-401-002-010	Spring	2
10	DPG-401-002-011	Cap	2
11	KDG-P-13x62-401	Spring	2
12	KDG-V4-401	Bushing	2
Unified parts			
13	Split pin DIN 94-3x32		1
14	Spring Pin 5x30 DIN 1481		2
15	Nut M12 DIN 6330		1
16	Washer 12 DIN 125		1



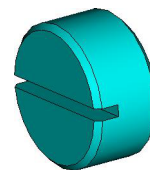
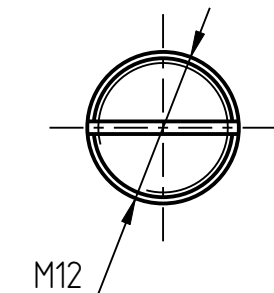
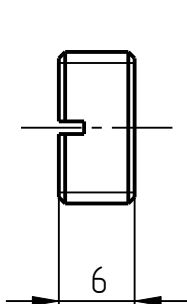
3. Main body
DPG-401-001m1



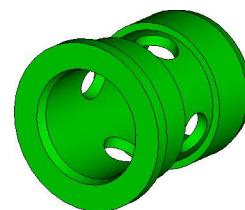
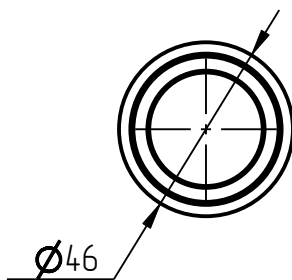
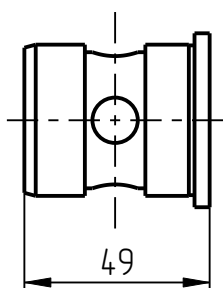
4. Equalizer
DPG-401-001-002



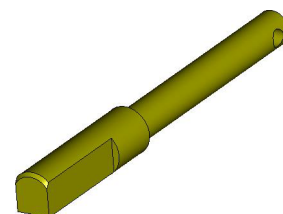
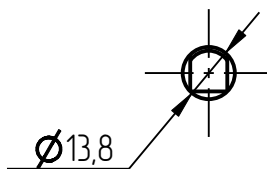
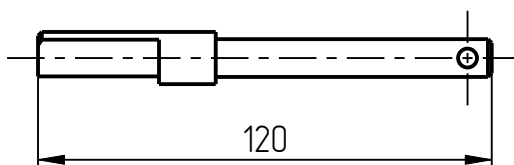
5. Bolt
DPG-401-001-003



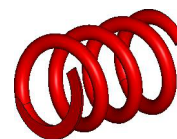
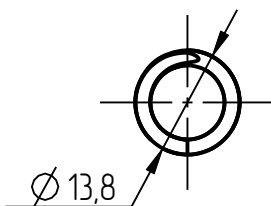
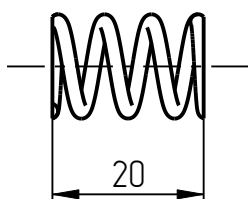
6. Threaded plug
DPG-401-001-005



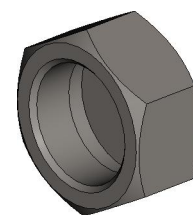
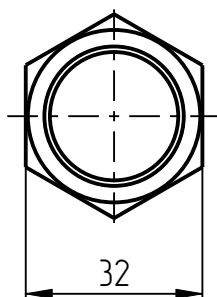
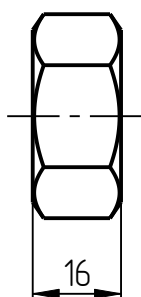
7. Bushing
DPG-401-002-002



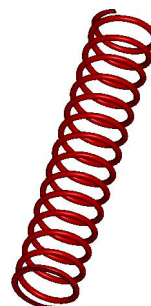
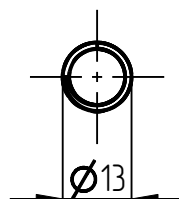
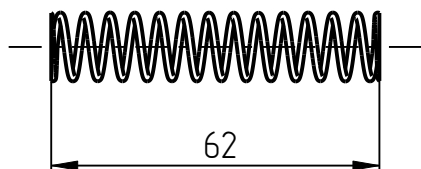
8. Position pin
DPG-401-002-005



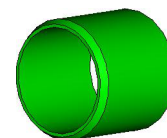
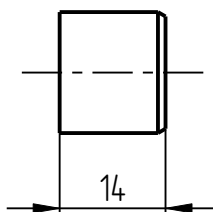
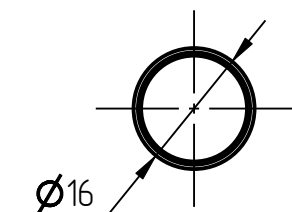
9. Spring
DPG-401-002-010



10. Cap
DPG-401-002-011



11. Cap
KDG-P-13x62-401

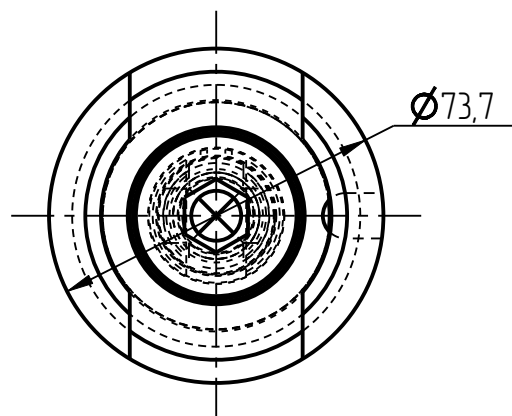
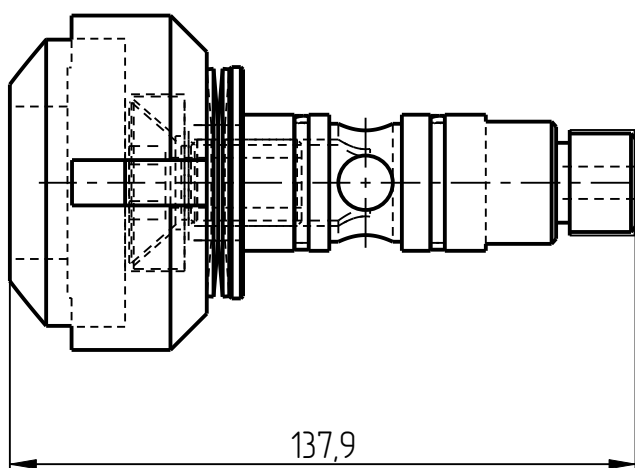
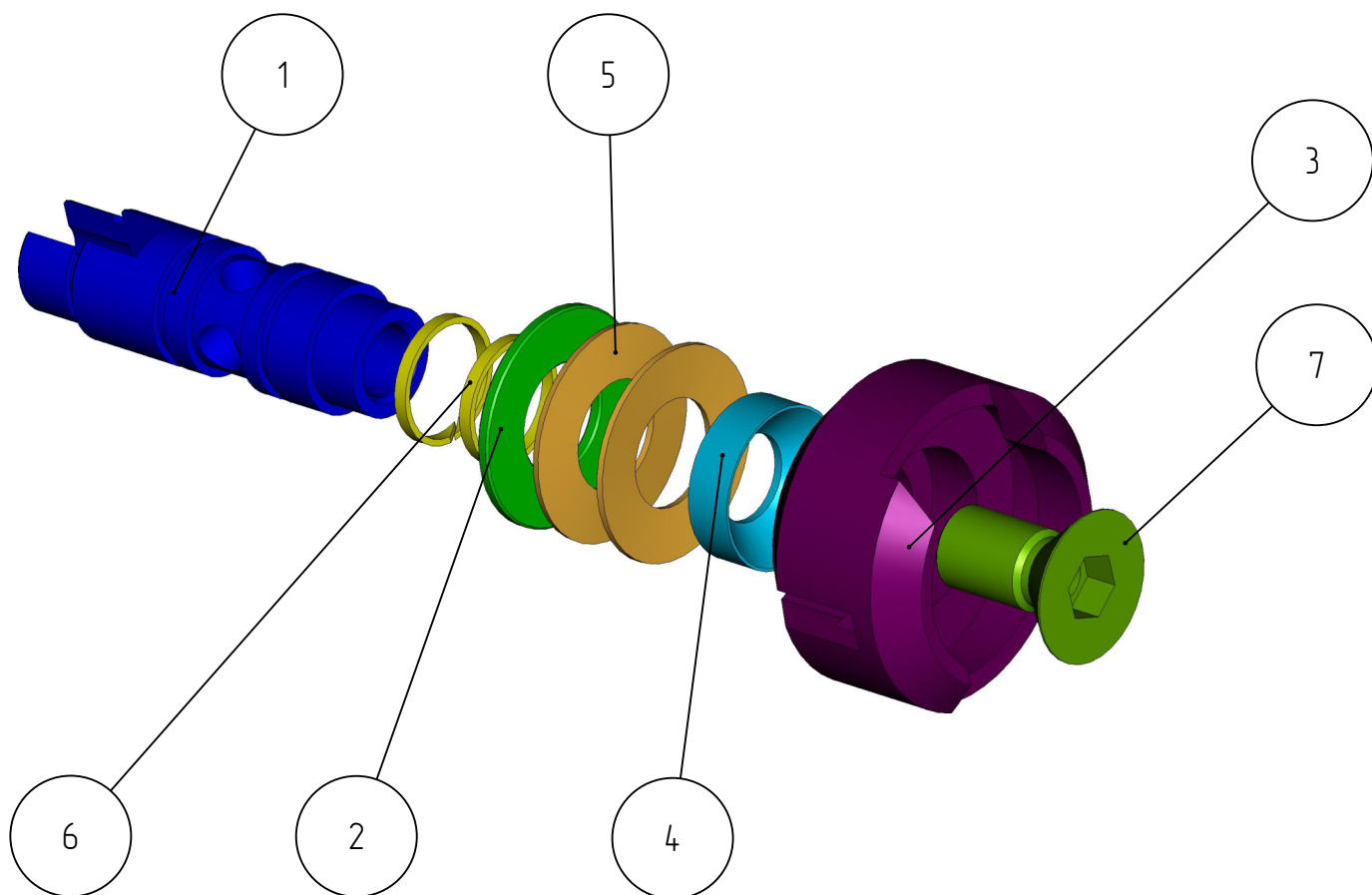


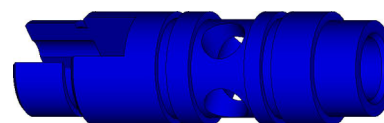
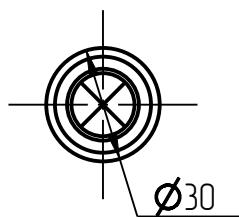
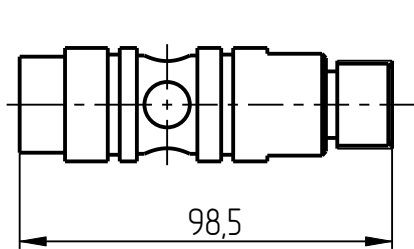
12. Bushing
KDG-V4-401

Assemblies

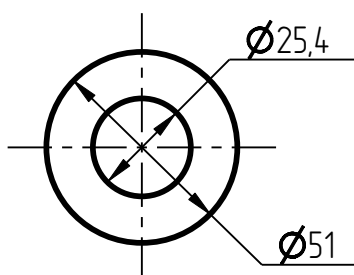
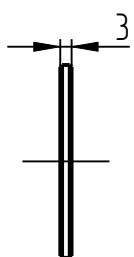
1. Baffle lock ring

DPG-401-001-004

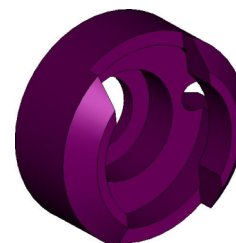
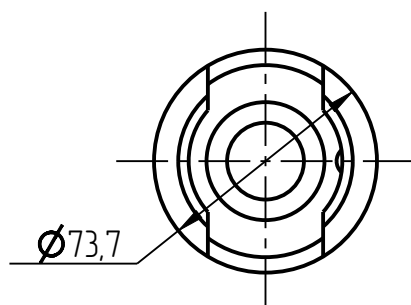
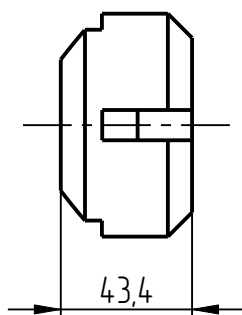




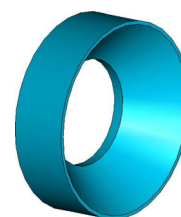
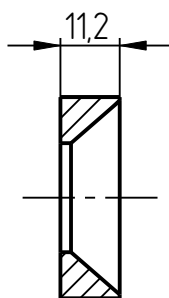
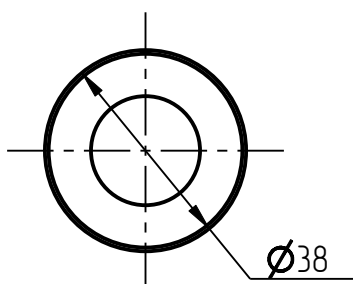
1. Retainer stud
DPG-401-001-003-001



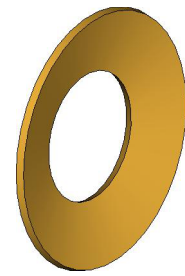
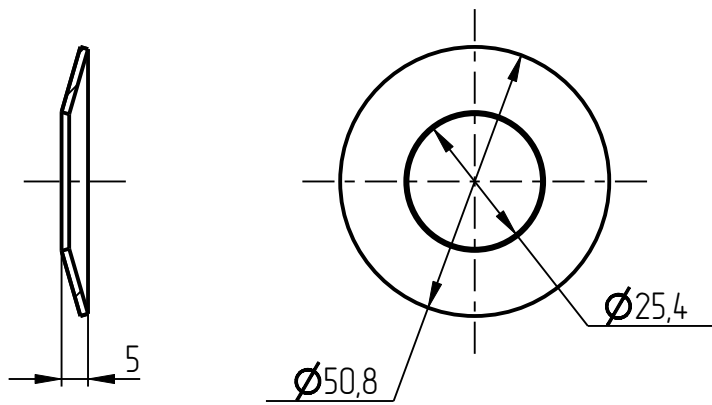
2. Washer
DPG-401-001-003-002



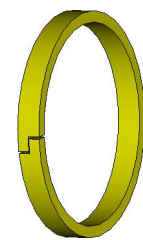
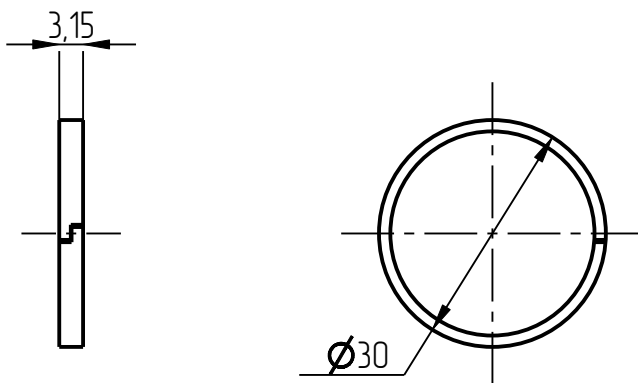
3. Lock ring
DPG-401-001-003-003



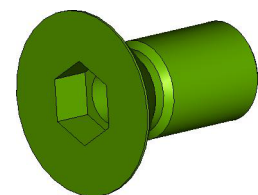
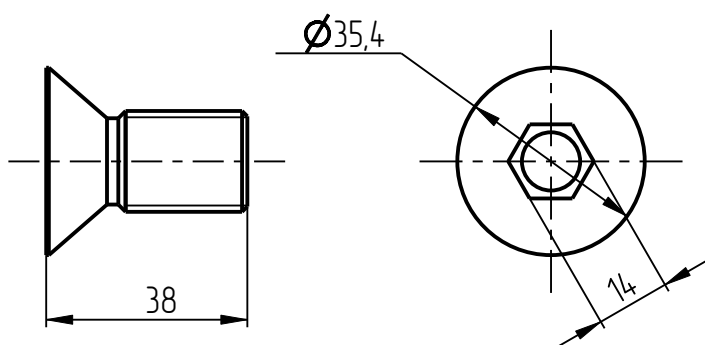
4. Washer
DPG-401-001-003-004



5. Con. spring washer
DPG-401-001-003-005

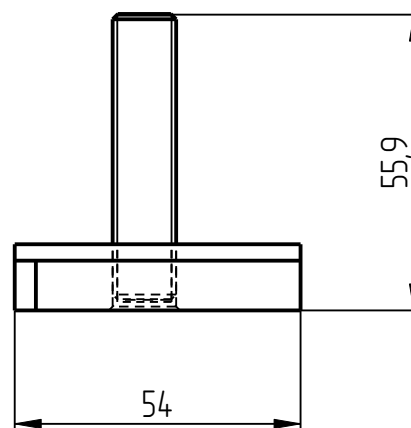
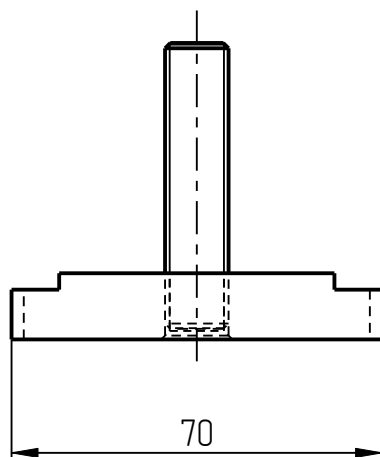
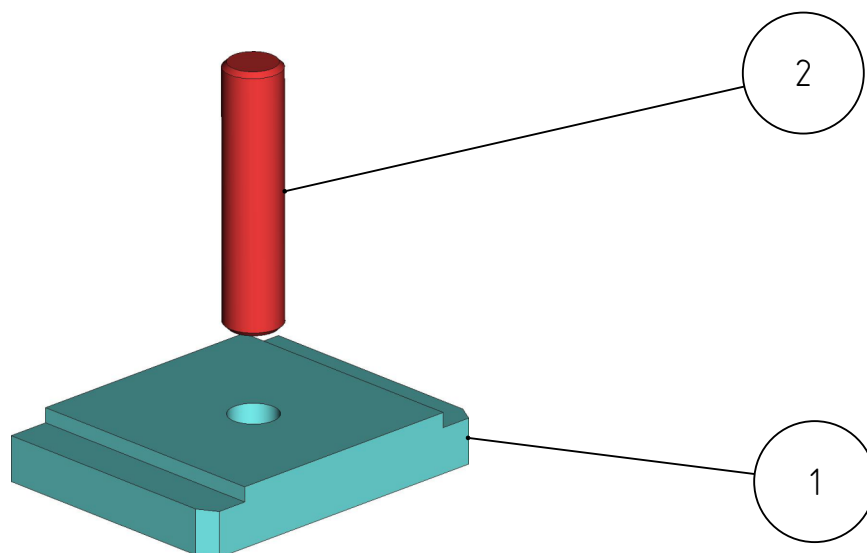


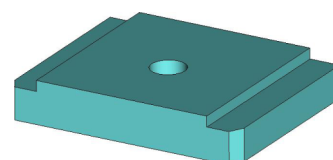
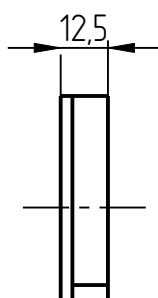
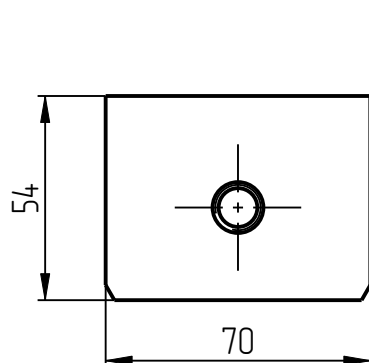
6. Piston ring
DPG-401-001-003-006



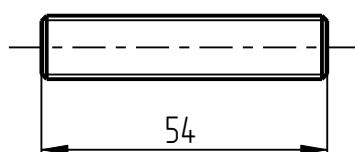
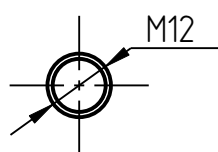
7. Screw 3/4-10UNC
DPG-401-001-003-007

2. Holding plate DPG-401-002-012





1. Holding plate
DPG-401-001-004-001



2. Threaded stud
DPG-401-001-004-002