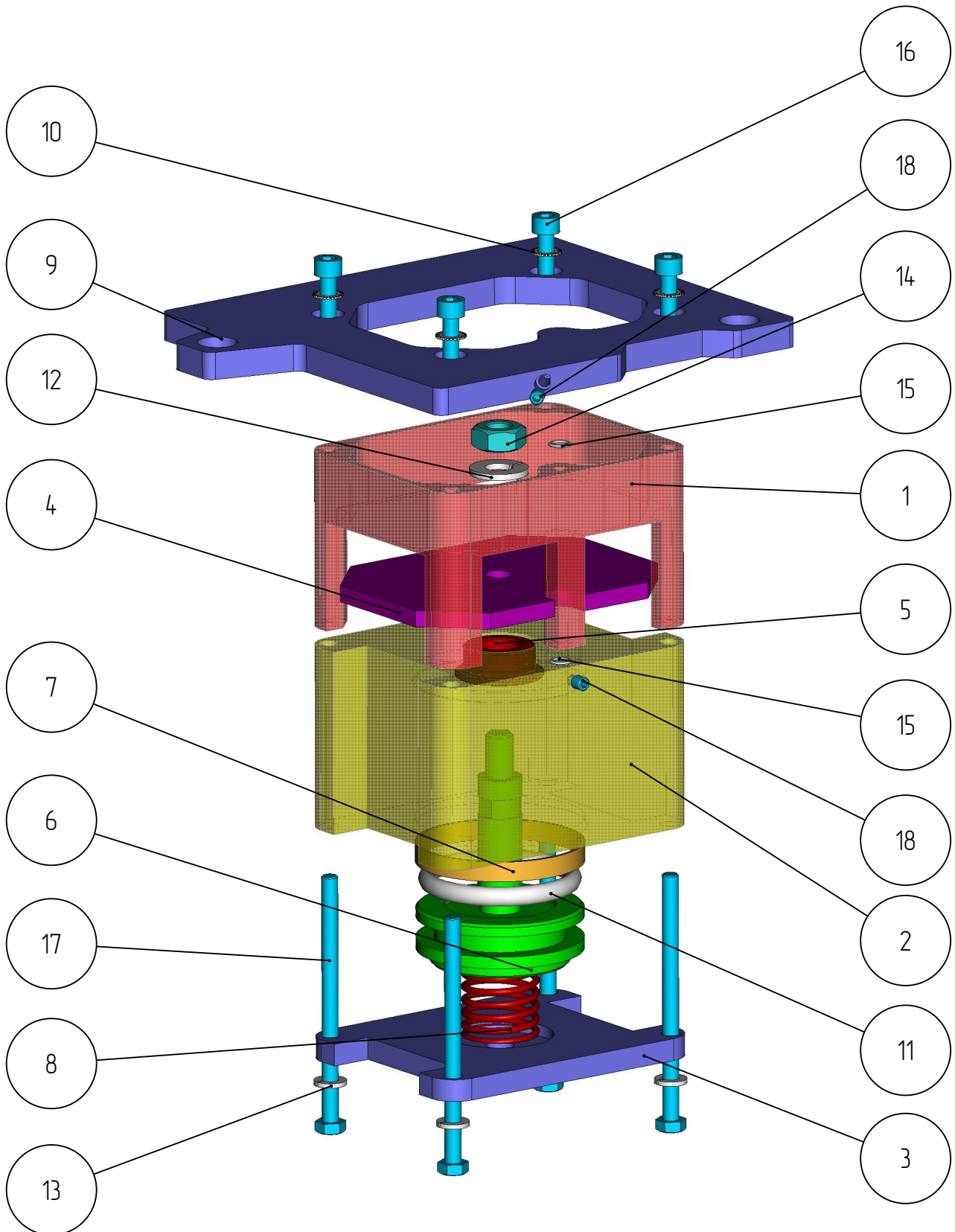


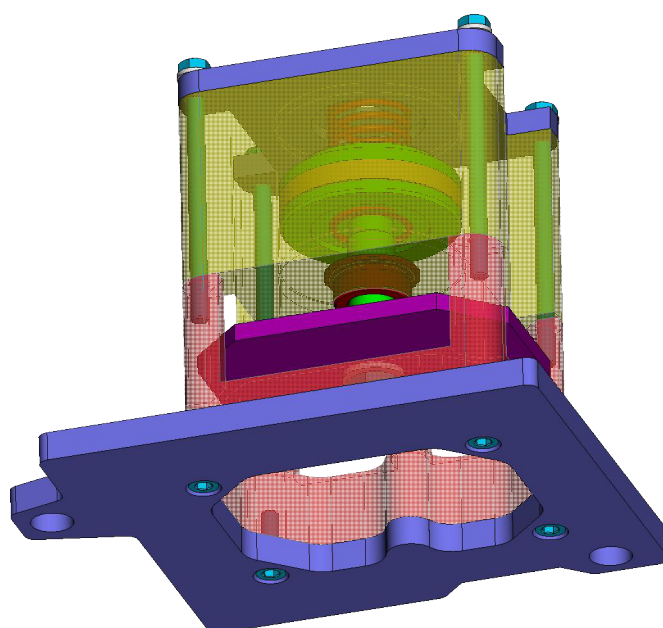
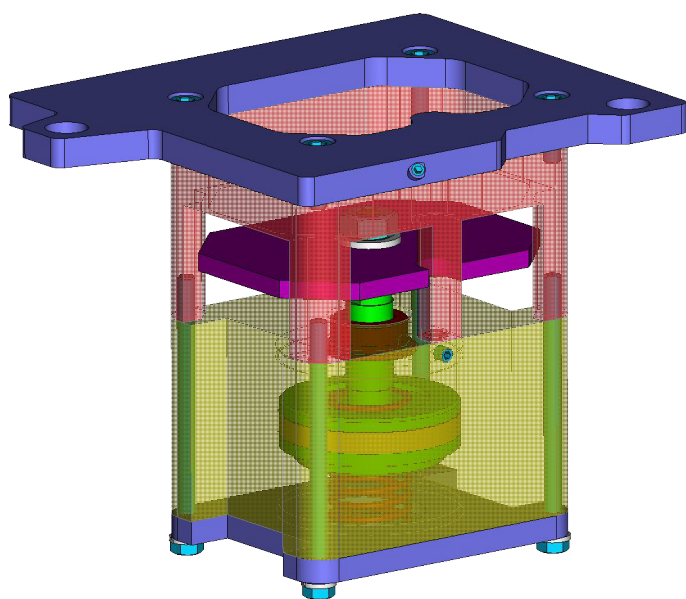
401

*KLO-401-002*  
*VALVE*  
*(КОУФ-К-401)*

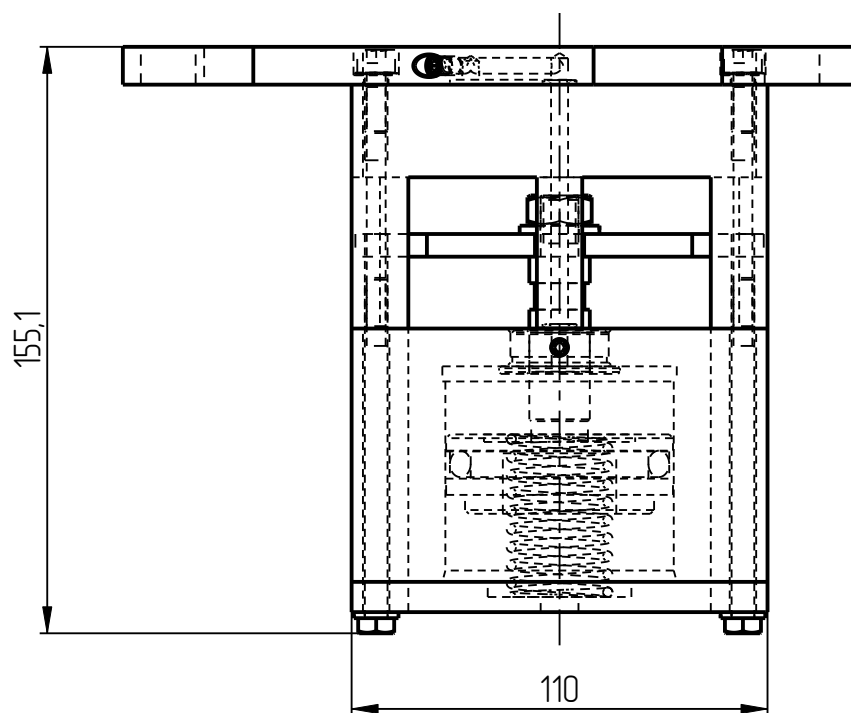
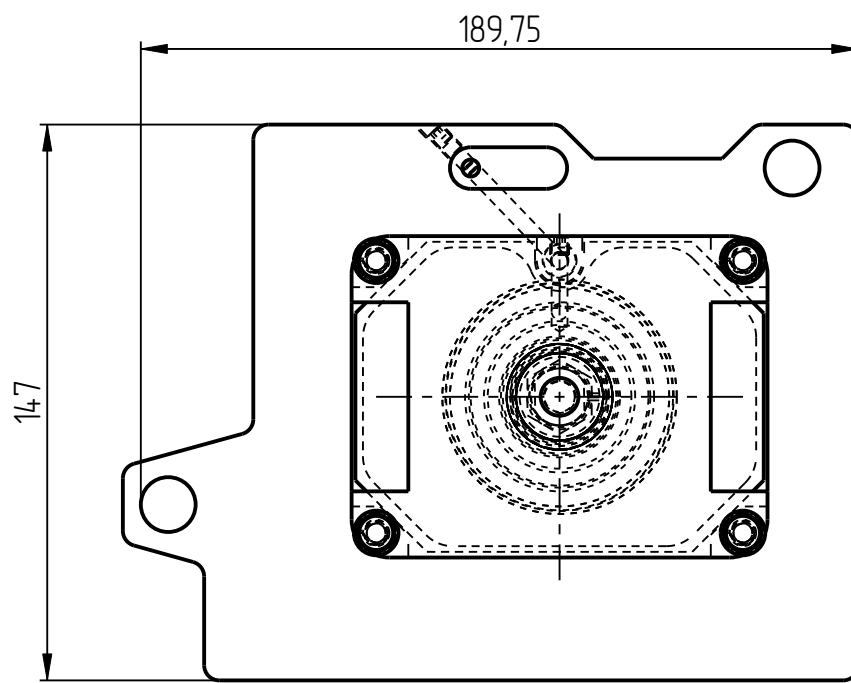
Valve  
KLO-401-002



Valve  
KLO-401-002

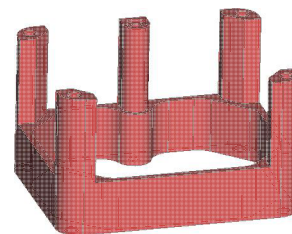
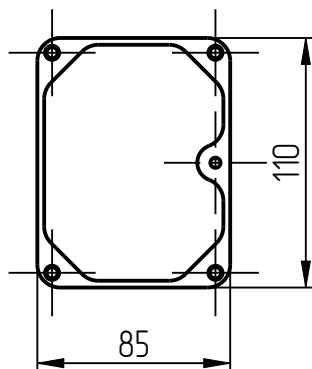
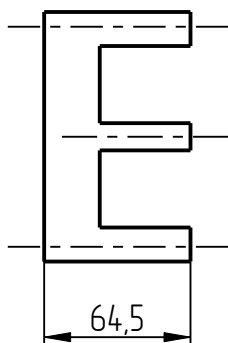


Valve  
KLO-401-002

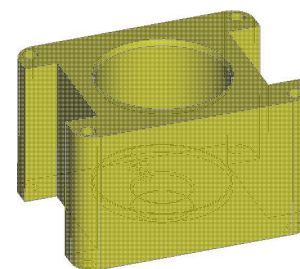
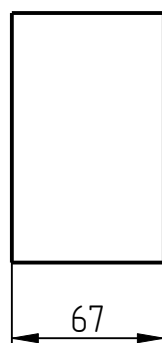
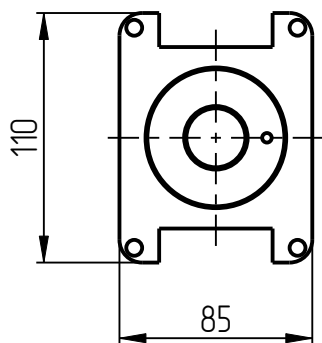


## Valve KLO-401-002 Specification

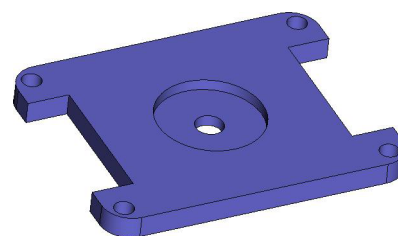
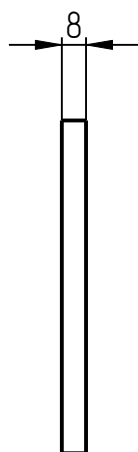
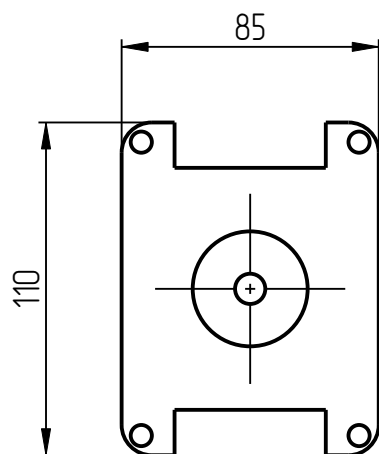
№ pos.	Code	Name	Qty
<b>Parts</b>			
1	KLO-401-001-002	Housing	1
2	KLO-401-001-003	Cylinder	1
3	KLO-401-001-004	Cover	1
4	KLO-401-001-005	Valve	1
5	KLO-401-001-006	Bushing	1
6	KLO-401-001-007	Piston	1
7	KLO-401-001-008	Piston ring	1
8	KLO-401-001-009	Spring	1
9	KLO-401-002-001	Underplate	1
<b>Standard parts</b>			
10	Shake-proof washer D6 DIN 6798A		4
11	O-ring 60x48x6		1
12	Spring washer B10-A4 DIN 127		1
13	Spring washer B6-A4 DIN 127		4
14	Nut M10 DIN 934		1
15	O-ring 005-008-19-1-7 GOST 18829-73		2
16	Screw M6x16 DIN 912		4
17	Hexagon Flange Bolt M6x90 DIN 6921		4
18	Hex socket set screw M5x5 DIN 913		2



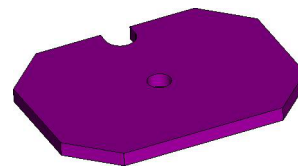
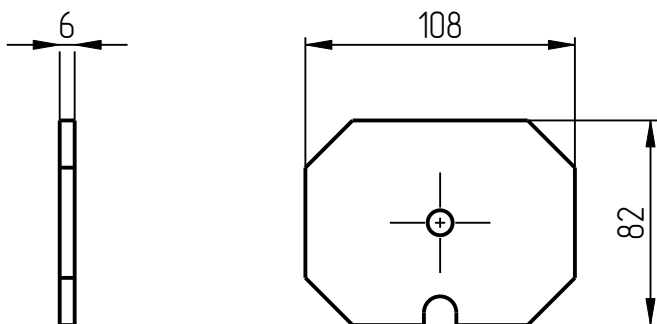
1. Housing  
KLO-401-001-002



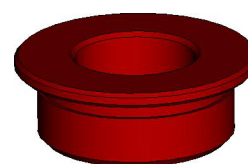
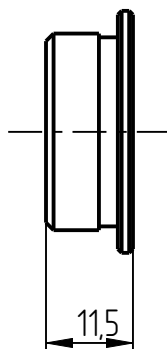
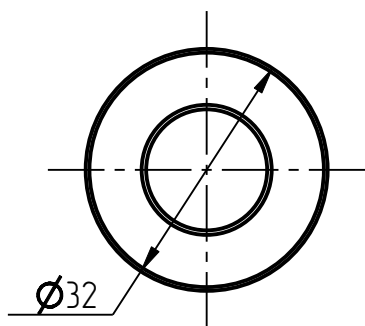
2. Cylinder  
KLO-401-001-003



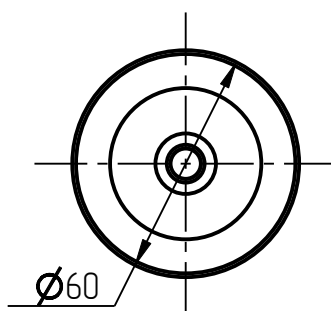
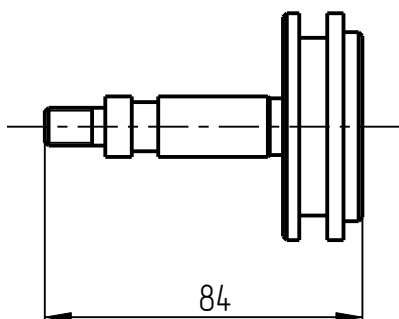
3. Cover  
KLO-401-001-004



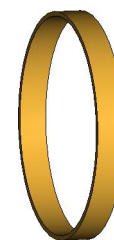
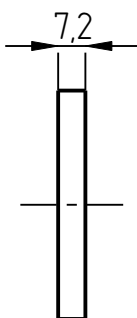
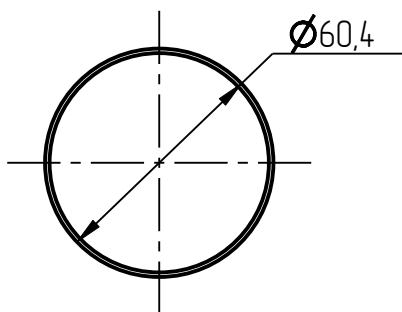
4. Valve  
KLO-401-001-005



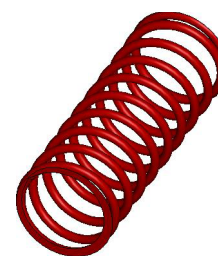
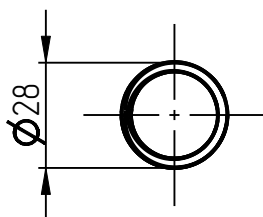
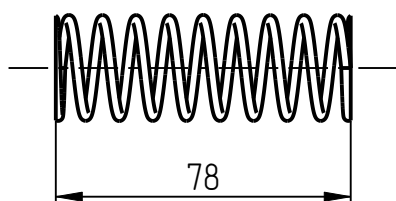
5. Bushing  
KLO-401-001-006



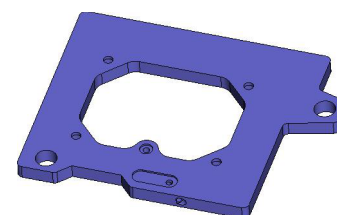
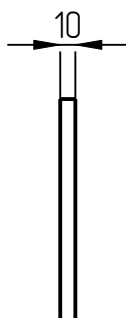
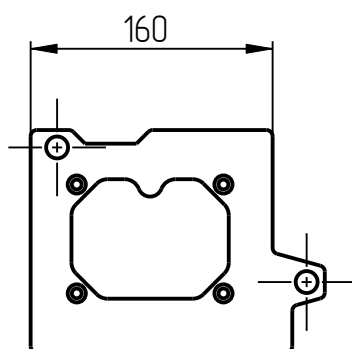
6. Piston  
KLO-401-001-007



7. Piston ring  
KLO-401-001-008



8. Spring  
KLO-401-001-009



9. Underplate  
KLO-401-002-001