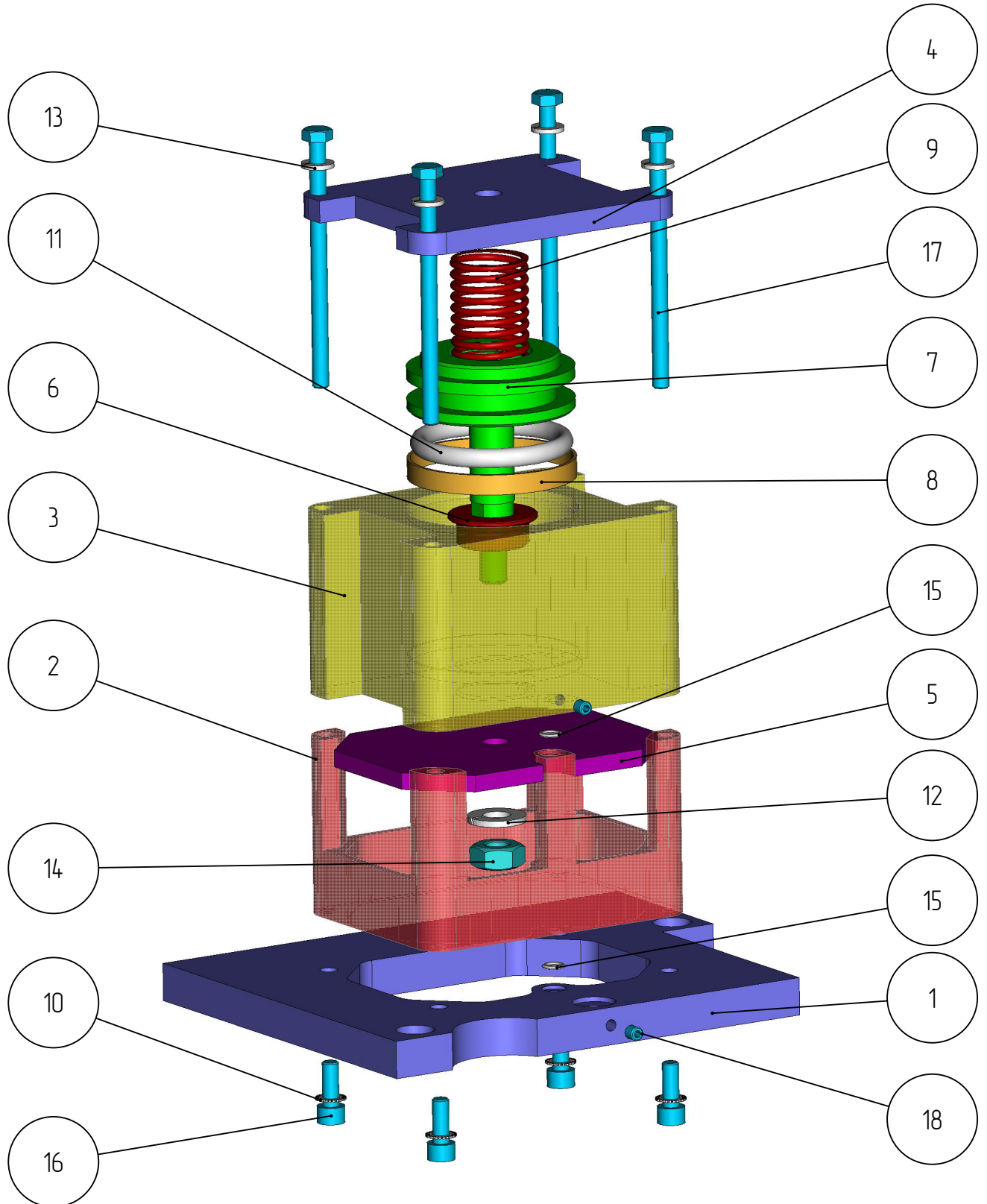


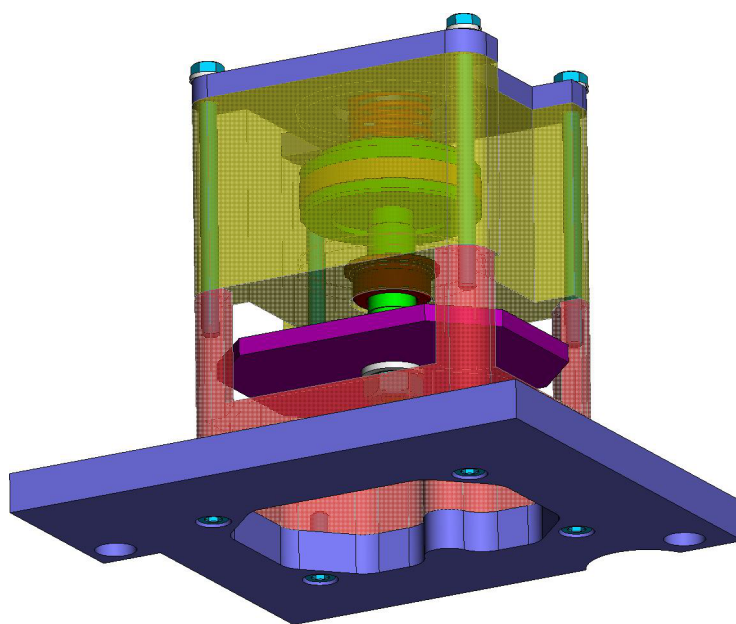
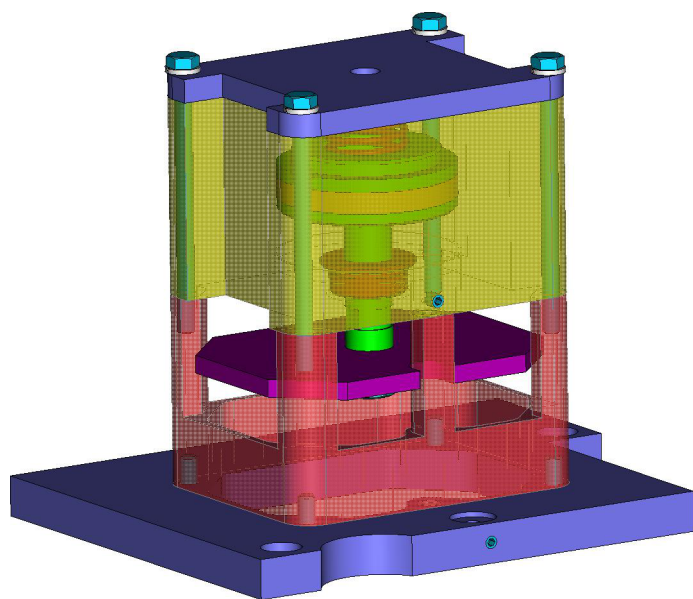
401

KLO-401-001
VALVE
(KMEL-00_00)

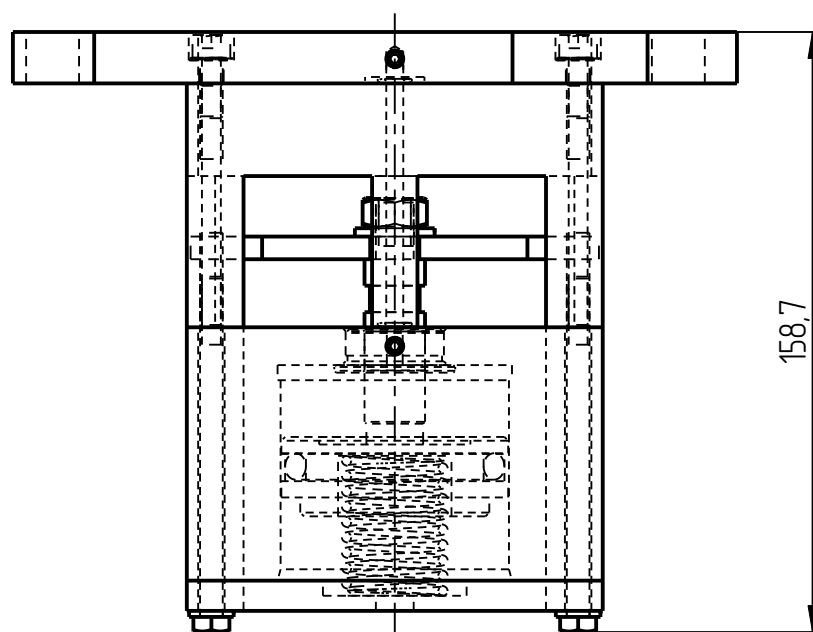
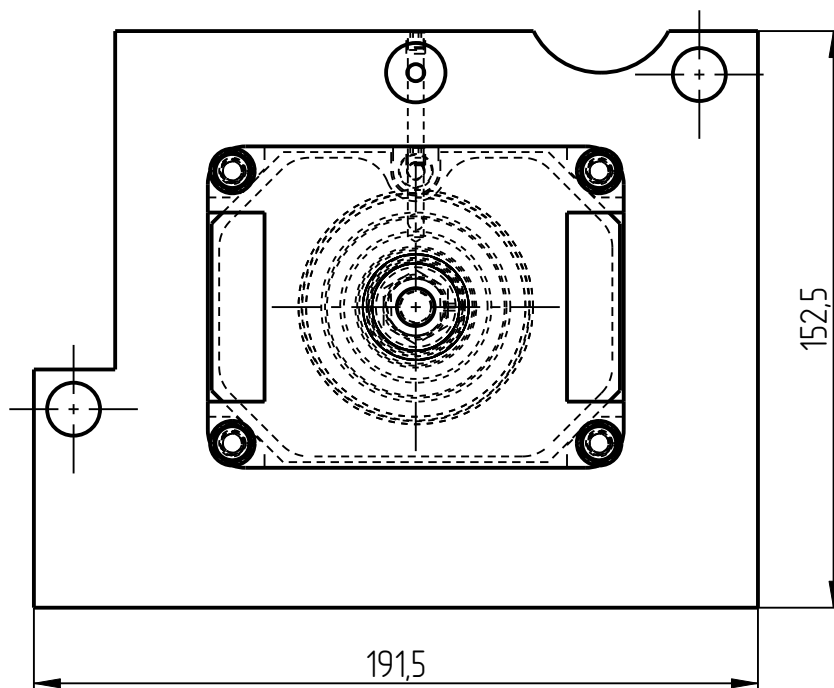
Valve
KLO-401-001



Valve
KLO-401-001

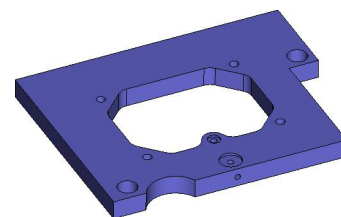
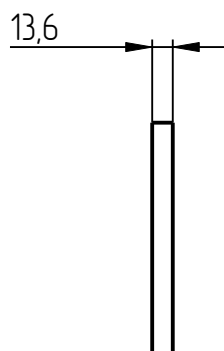
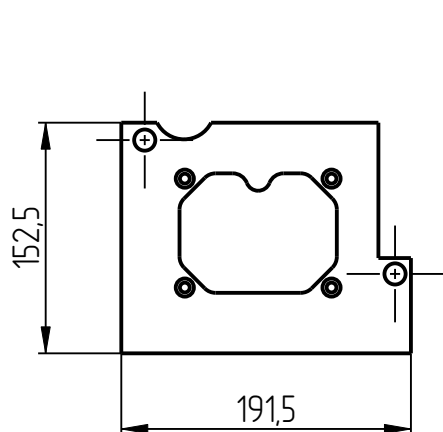


Valve
KLO-401-001

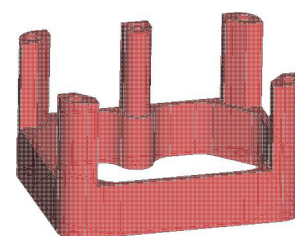
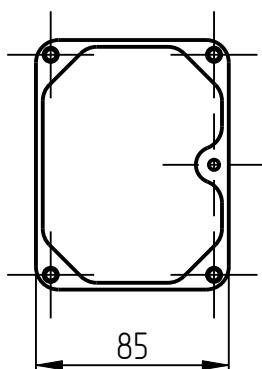
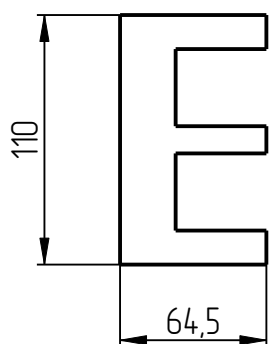


Valve KLO-401-001 Specification

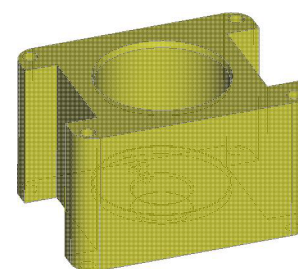
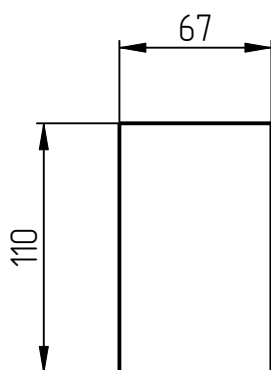
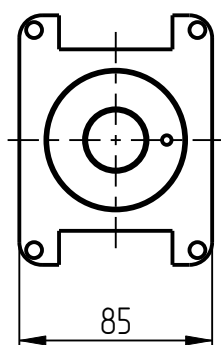
№ pos.	Code	Name	Qty
Parts			
1	KLO-401-001-001	Underplate	1
2	KLO-401-001-002	Housing	1
3	KLO-401-001-003	Cylinder	1
4	KLO-401-001-004	Cover	1
5	KLO-401-001-005	Valve	1
6	KLO-401-001-006	Bushing	1
7	KLO-401-001-007	Piston	1
8	KLO-401-001-008	Piston ring	1
9	KLO-401-001-009	Spring	1
Standard parts			
10	Retaining ring D6 DIN 6798A		4
11	O-ring 60x48x6		1
12	Spring washer B10-A4 DIN 127		1
13	Spring washer B6-A4 DIN 127		4
14	Nut M10 DIN 934		1
15	O-ring 005-008-19-1-7 GOST 18829-73		2
16	Screw M6x16 DIN 912		4
17	Hexagon Flange Bolt M6x90 DIN 6921		4
18	Hex socket set screw M5x5 DIN 913		2



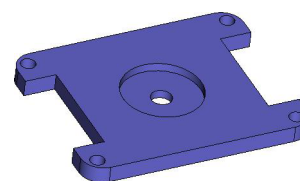
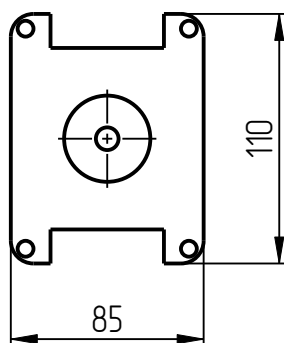
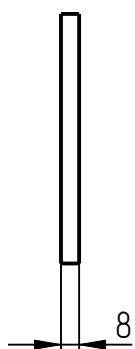
1. Underplate
KLO-401-001-001



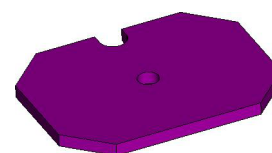
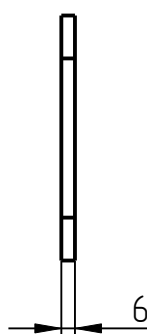
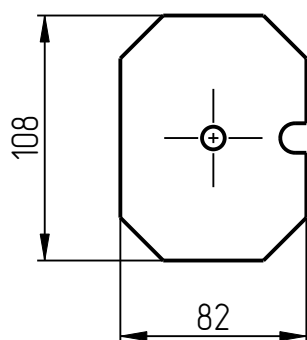
2. Housing
KLO-401-001-002



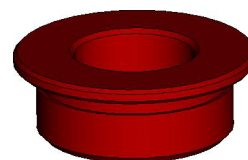
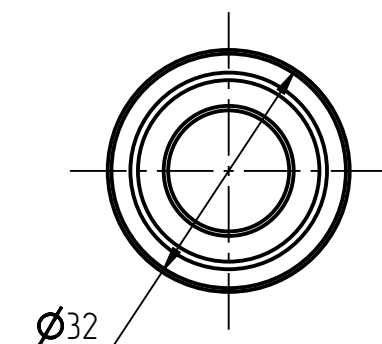
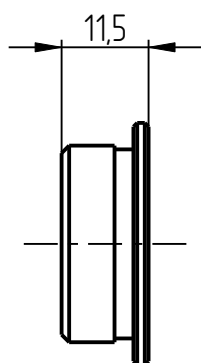
3. Cylinder
KLO-401-001-003



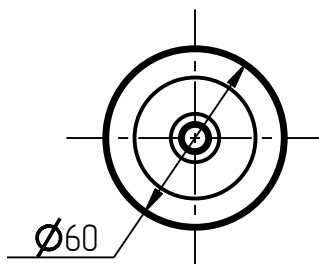
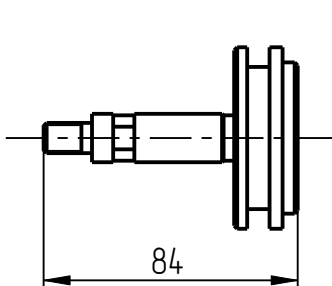
4. Cover
KLO-401-001-004



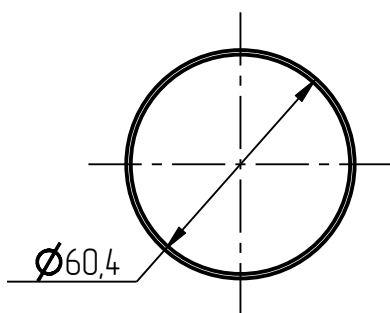
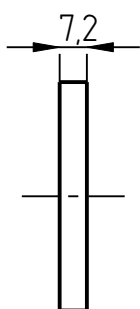
5. Valve
KLO-401-001-005



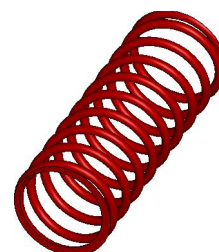
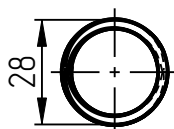
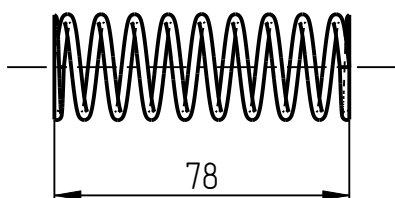
6. Bushing
KLO-401-001-006



7. Piston
KLO-401-001-007



8. Piston ring
KLO-401-001-008



9. Spring
KLO-401-001-009