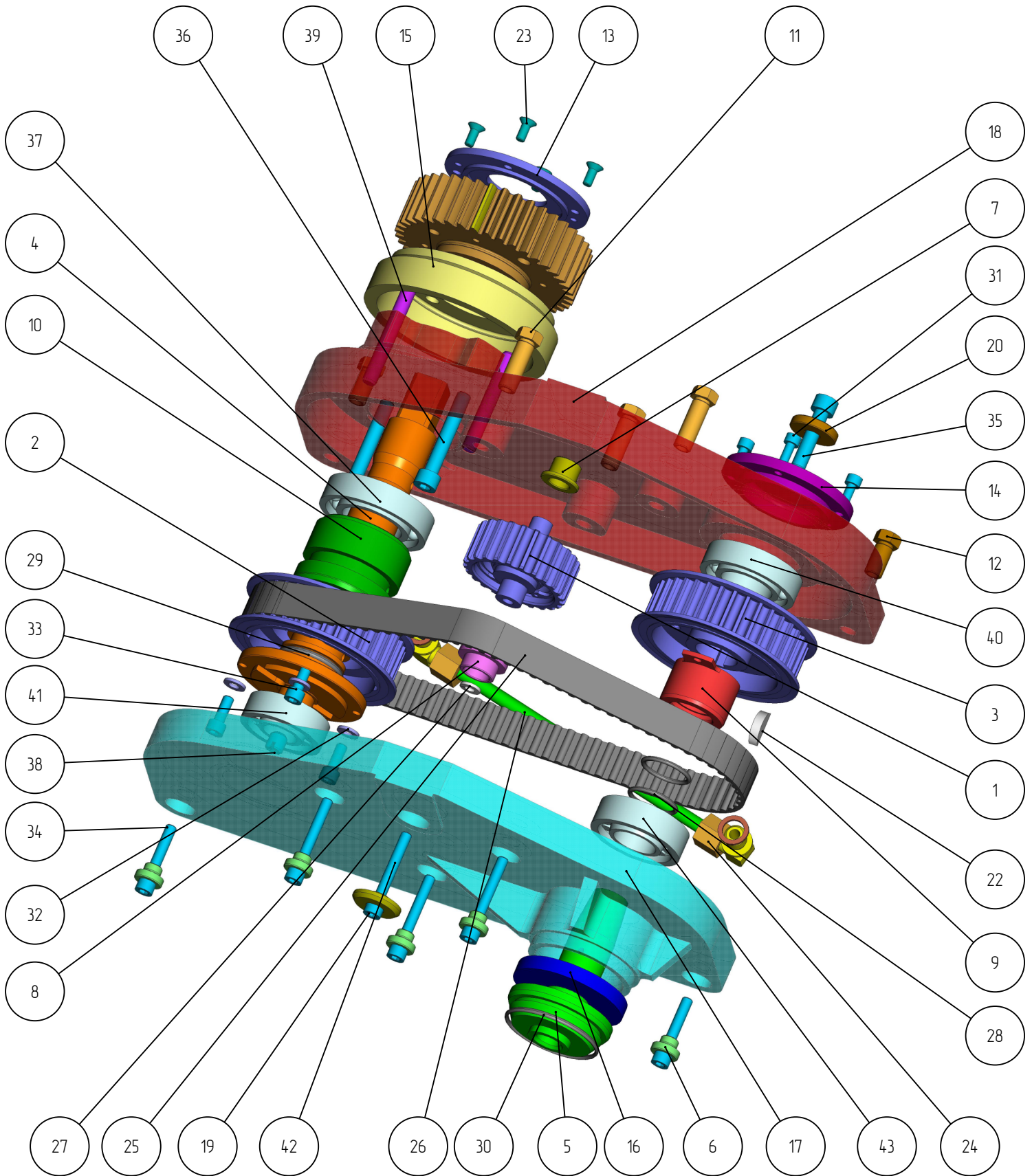


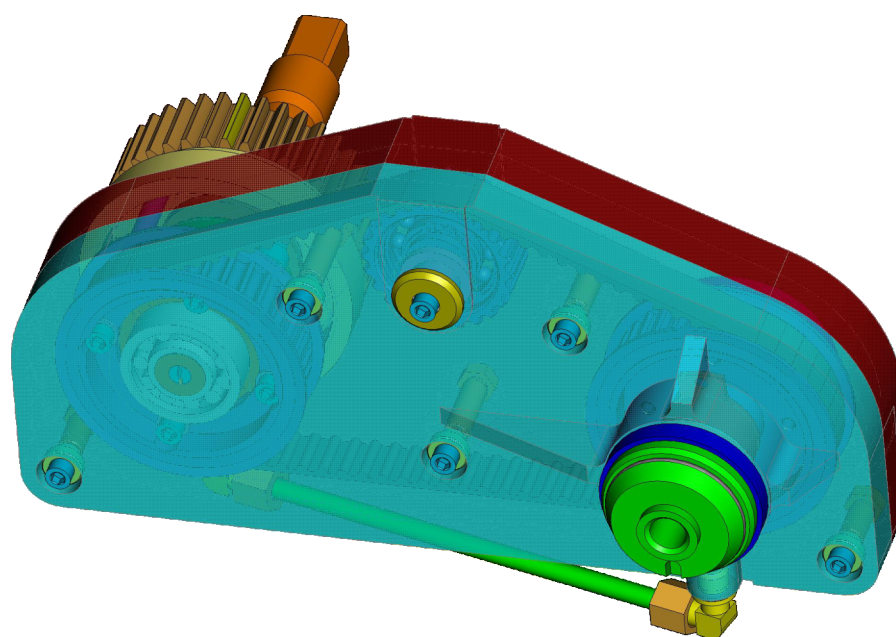
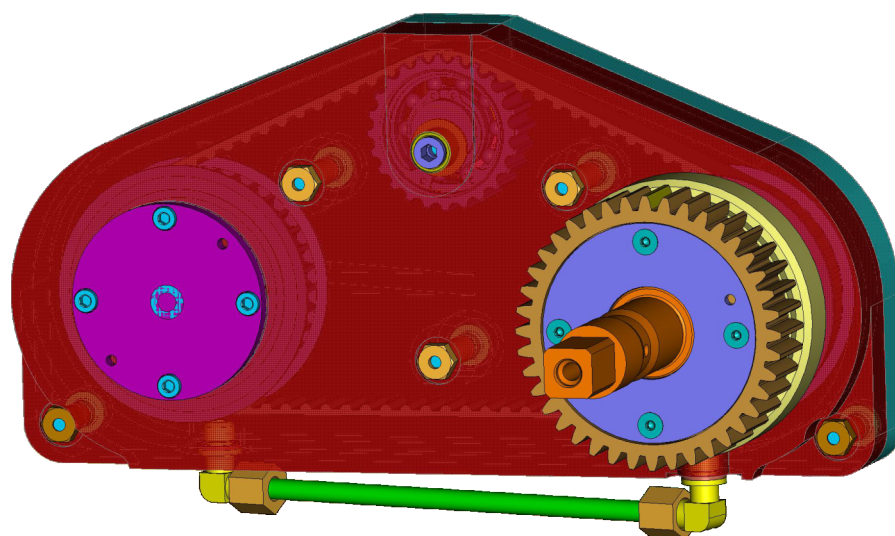
401

*RD-401-003*  
*TAKE OUT ARM 5 1/2"*  
*(125040)*

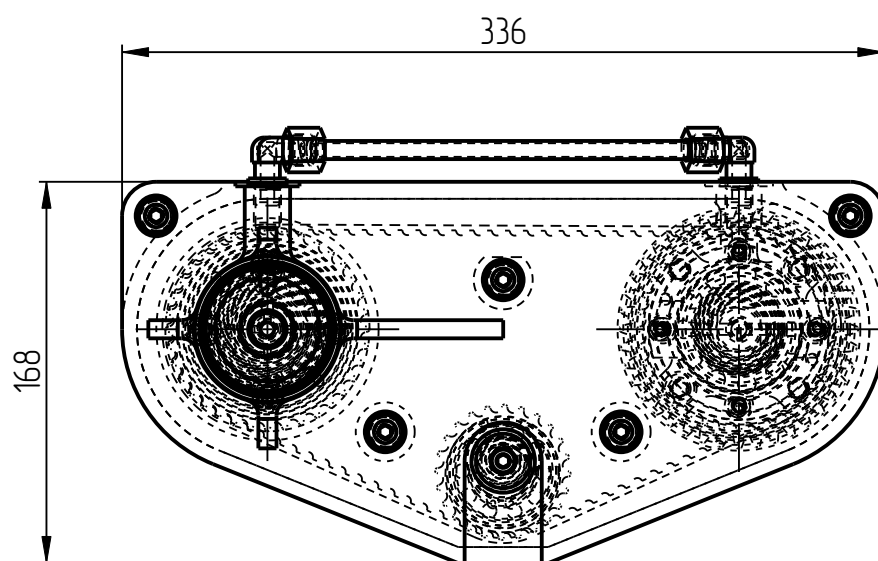
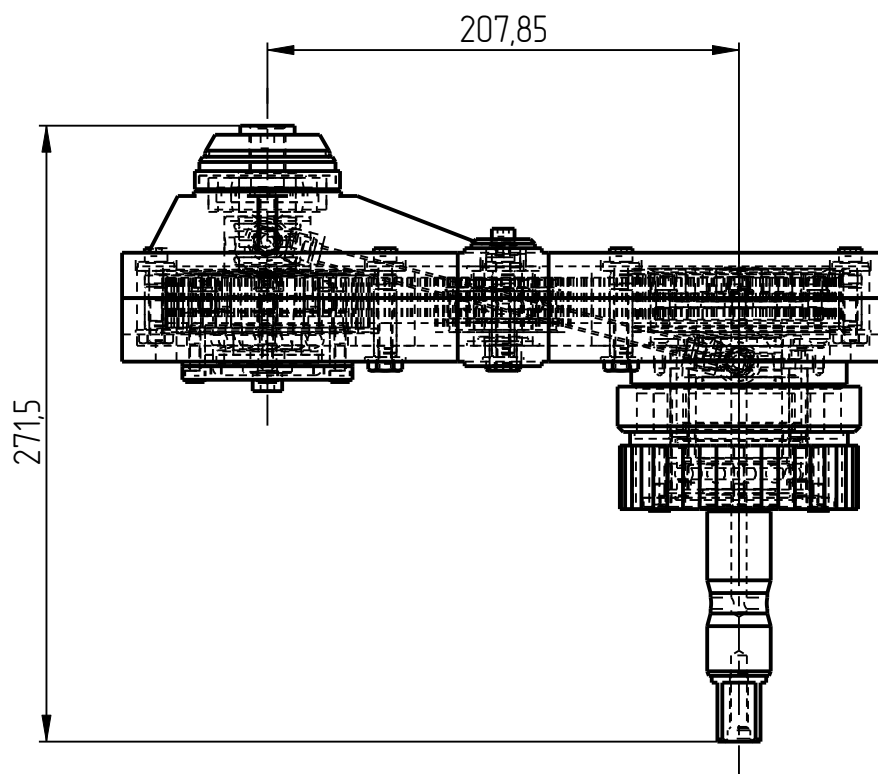
## Take out arm RD-401-003



Take out arm  
RD-401-003

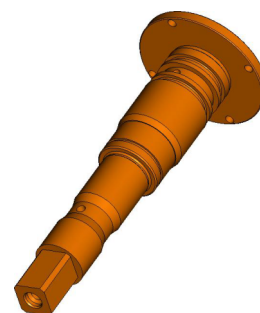
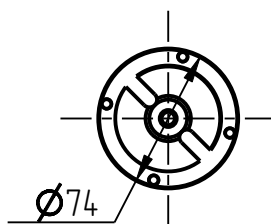
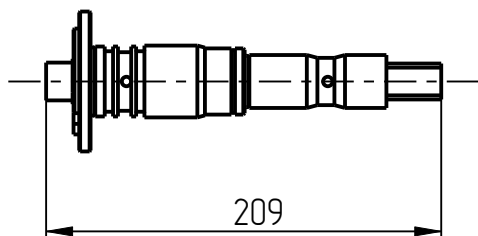


Take out arm  
RD-401-003

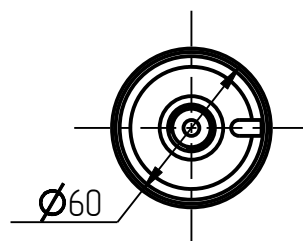
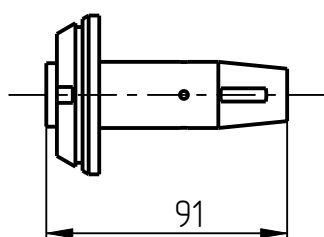


## Take out arm RD-401-003 Specification

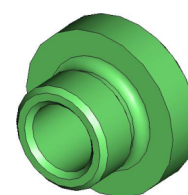
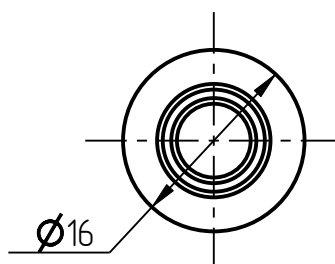
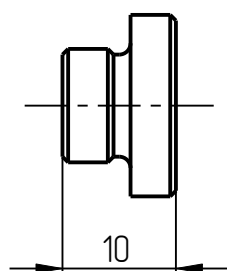
№ pos.	Code	Name	Qty
<b>Assemblies</b>			
1	rd-401-003-001	Relay roller	1
2	rd-401-003-002	Pulley	1
3	rd-401-003-003	Pulley	1
<b>Parts</b>			
4	rd-401-003-004	Pinion shaft	1
5	rd-401-003-005	Pinion shaft	1
6	rd-401-003-006	Bushing	5
7	rd-401-003-007	Bushing	1
8	rd-401-003-008	Bushing	1
9	rd-401-003-009	Bushing	1
10	rd-401-003-010	Bushing	1
11	rd-401-003-011	Nut	3
12	rd-401-003-012	Nut	2
13	rd-401-003-013	Retainer	1
14	rd-401-003-014	Retainer	1
15	rd-401-003-016	Cover	1
16	rd-401-003-017	Cover	1
17	rd-401-003-018	Cover	1
18	rd-401-003-019	Cover	1
19	rd-401-003-021	Washer	1
20	rd-401-003-022	Washer	1
21	rd-401-003-023	Gear	1
22	rd-401-003-024	Key	1
<b>Standard parts</b>			
23	ВИНТ М5х12 DIN 7991		4
24	Nut		2
25	Belt 720-8M22		1
26	Tube 196X6X8		1
27	Spring washer B6-A4 DIN 127		1
28	O-ring 025-029-25-1-7 ГОСТ 18829-73		2
29	O-ring 032-038-36-1-7 ГОСТ 18829-73		2
30	O-ring 051-055-25-1-7 ГОСТ 18829-73		1
31	Screw M5x12 DIN 912		4
32	Washer 6 DIN 125		4
33	Screw M6x16 DIN 912		4
34	Screw M6x35 DIN 912		2
35	Screw M8x35 DIN 912		1
36	Screw M8x50 DIN 912		2
37	Ball bearing 107 ГОСТ 8338-75		1
38	Screw M10x10 ГОСТ 1477-93		1
39	Pin 8Гх60		2
40	Ball bearing 106 ГОСТ 8338-75		1
41	Ball bearing 32204 ГОСТ 8328-75		1
42	Screw M6x45 DIN 912		4
43	Ball bearing 32205 ГОСТ 8328-75		1



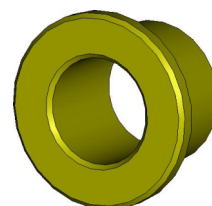
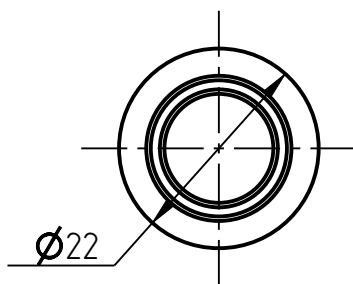
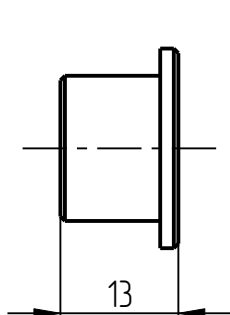
4. Pinion shaft  
rd-401-003-004



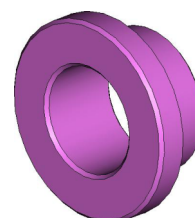
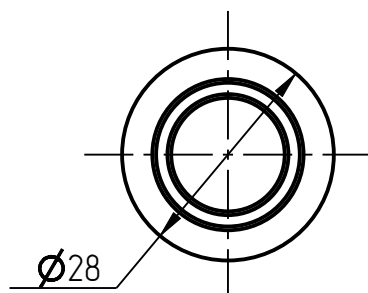
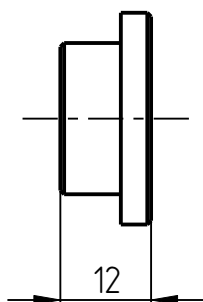
5. Pinion shaft  
rd-401-003-005



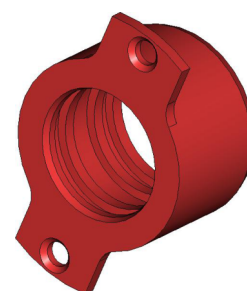
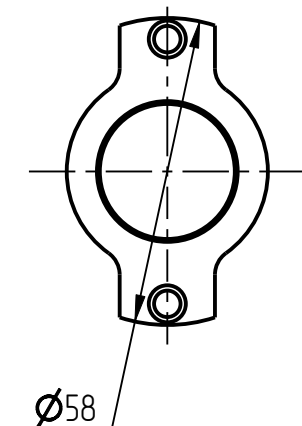
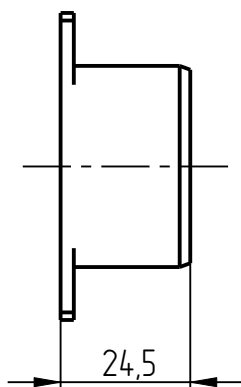
6. Bushing  
rd-401-003-006



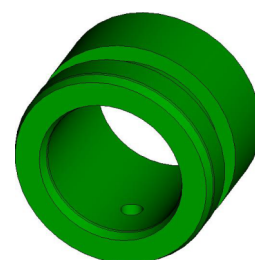
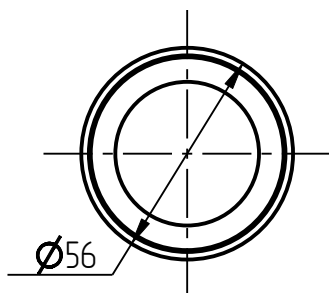
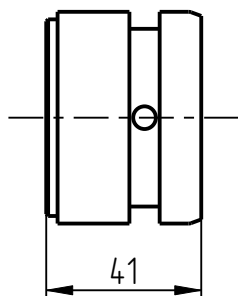
7. Bushing  
rd-401-003-007



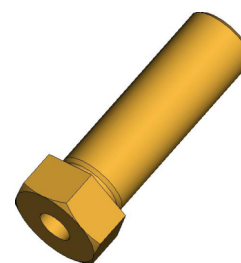
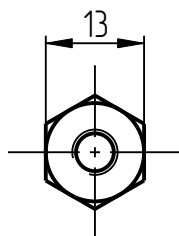
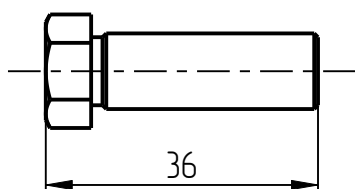
8. Bushing  
rd-401-003-008



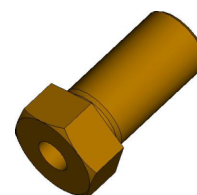
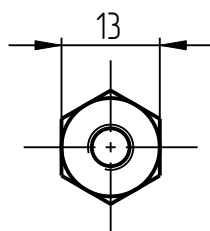
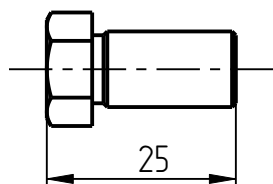
9. Bushing  
rd-401-003-009



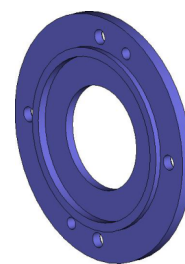
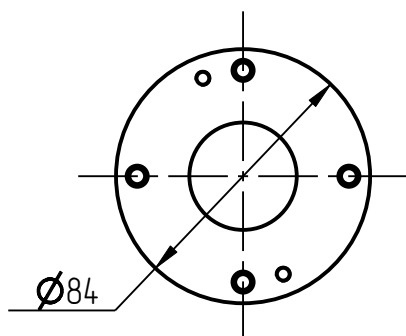
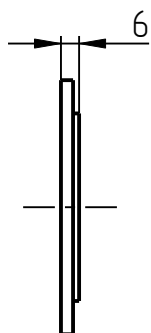
10. Bushing  
rd-401-003-010



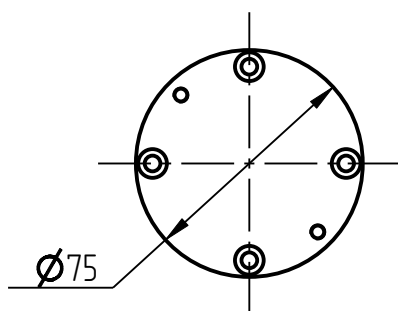
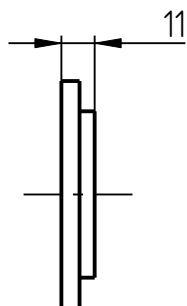
11. Nut  
rd-401-003-011



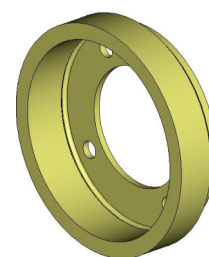
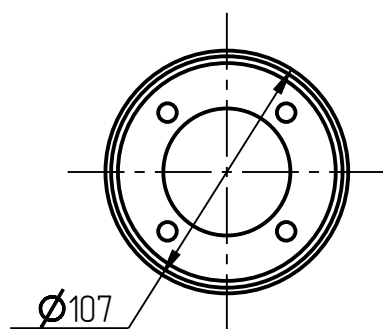
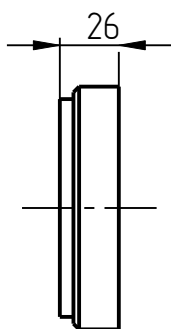
12. Nut  
rd-401-003-012



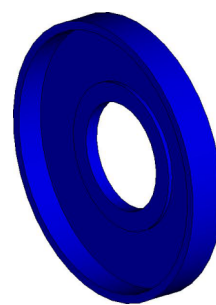
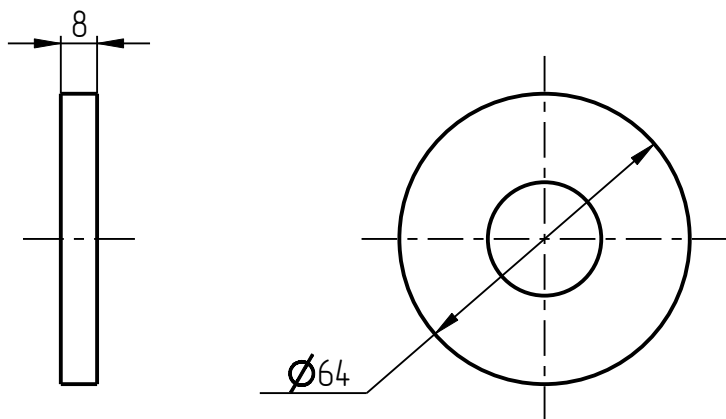
13. Retainer  
rd-401-003-013



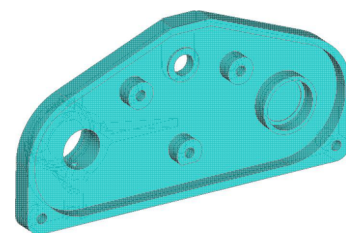
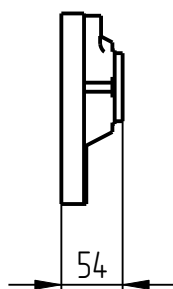
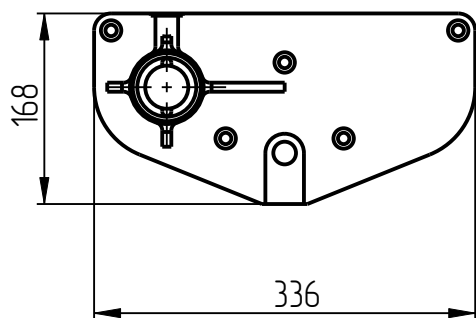
14. Retainer  
rd-401-003-014



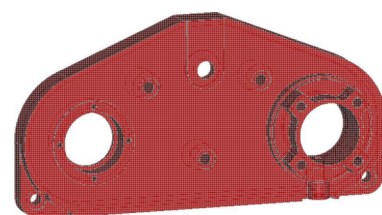
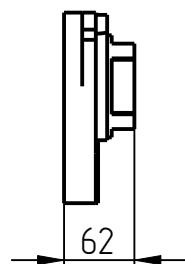
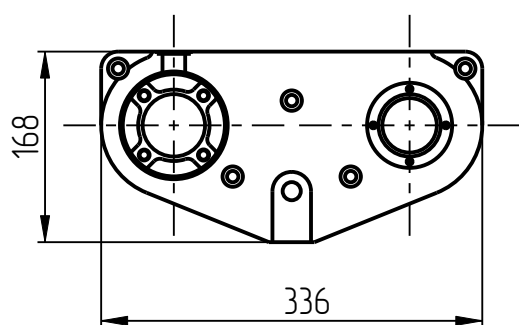
15. Cover  
rd-401-003-016



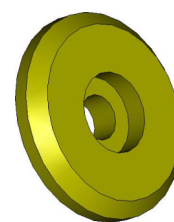
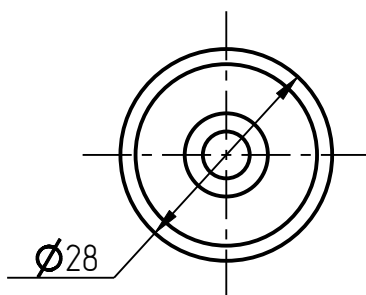
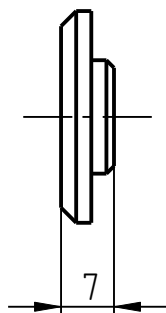
16. Cover  
rd-401-003-017



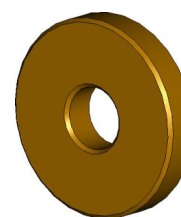
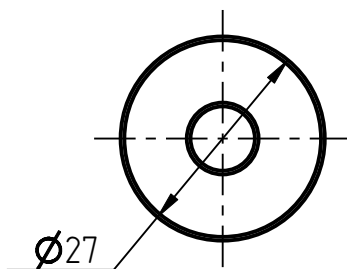
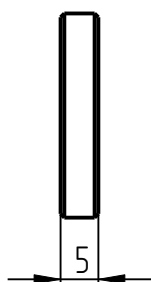
17. Cover  
rd-401-003-018



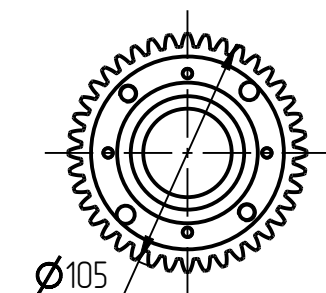
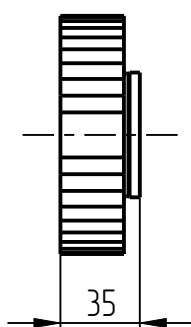
18. Cover  
rd-401-003-019



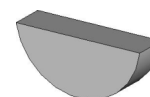
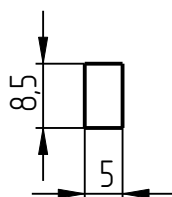
19. Washer  
rd-401-003-021



20. Washer  
rd-401-003-022



21. Gear  
rd-401-003-023



22. Key  
rd-401-003-024