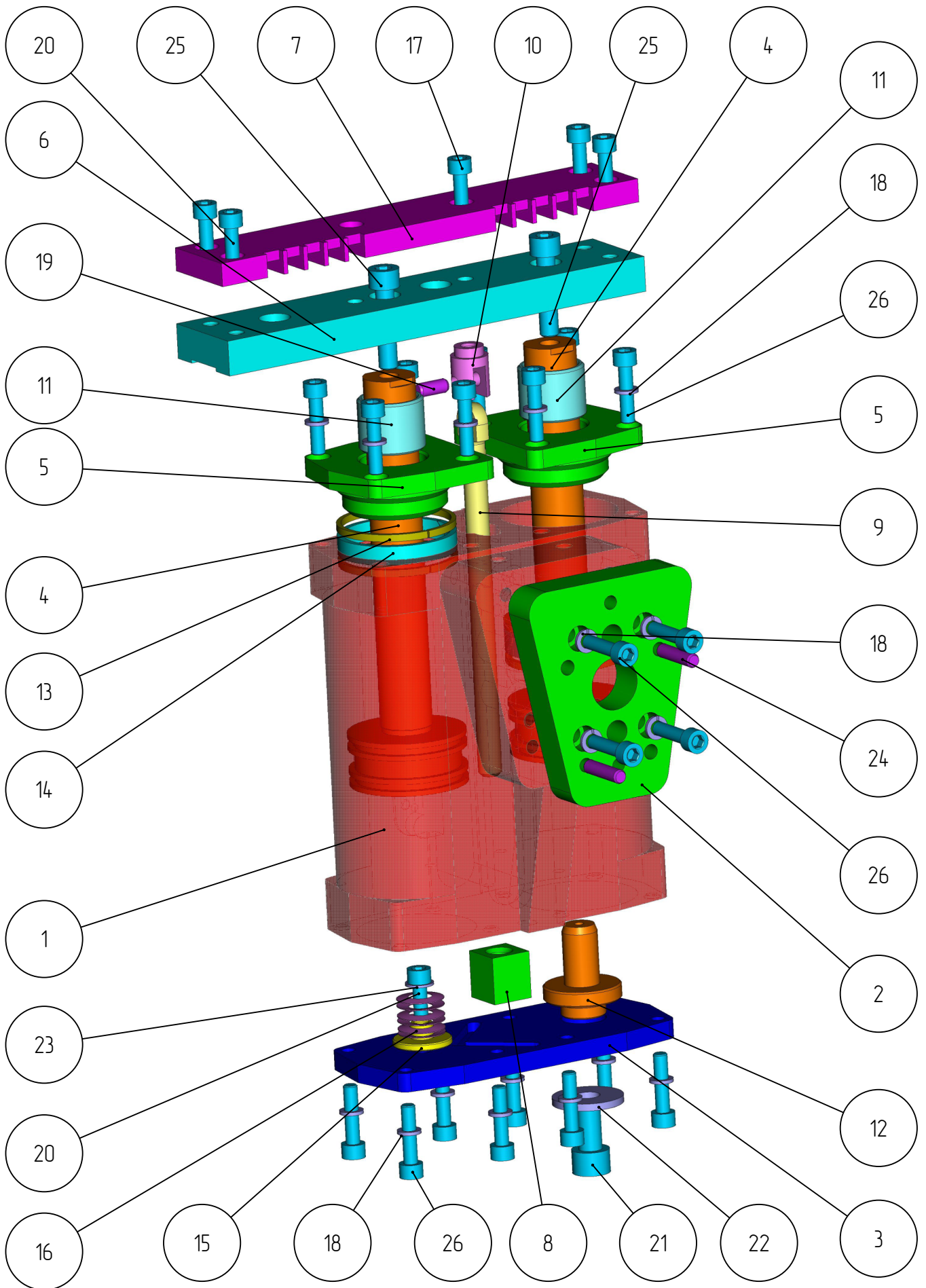
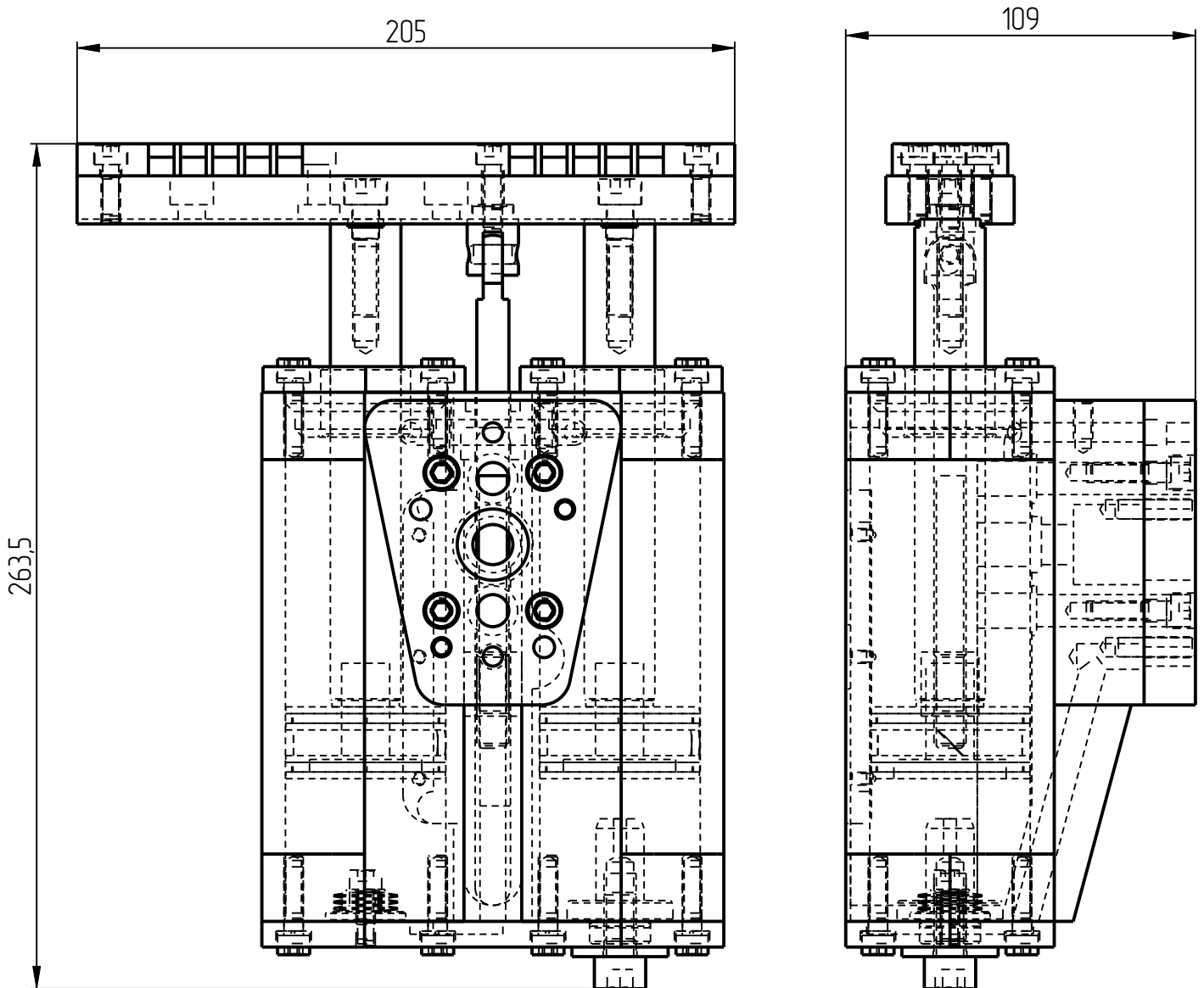


401

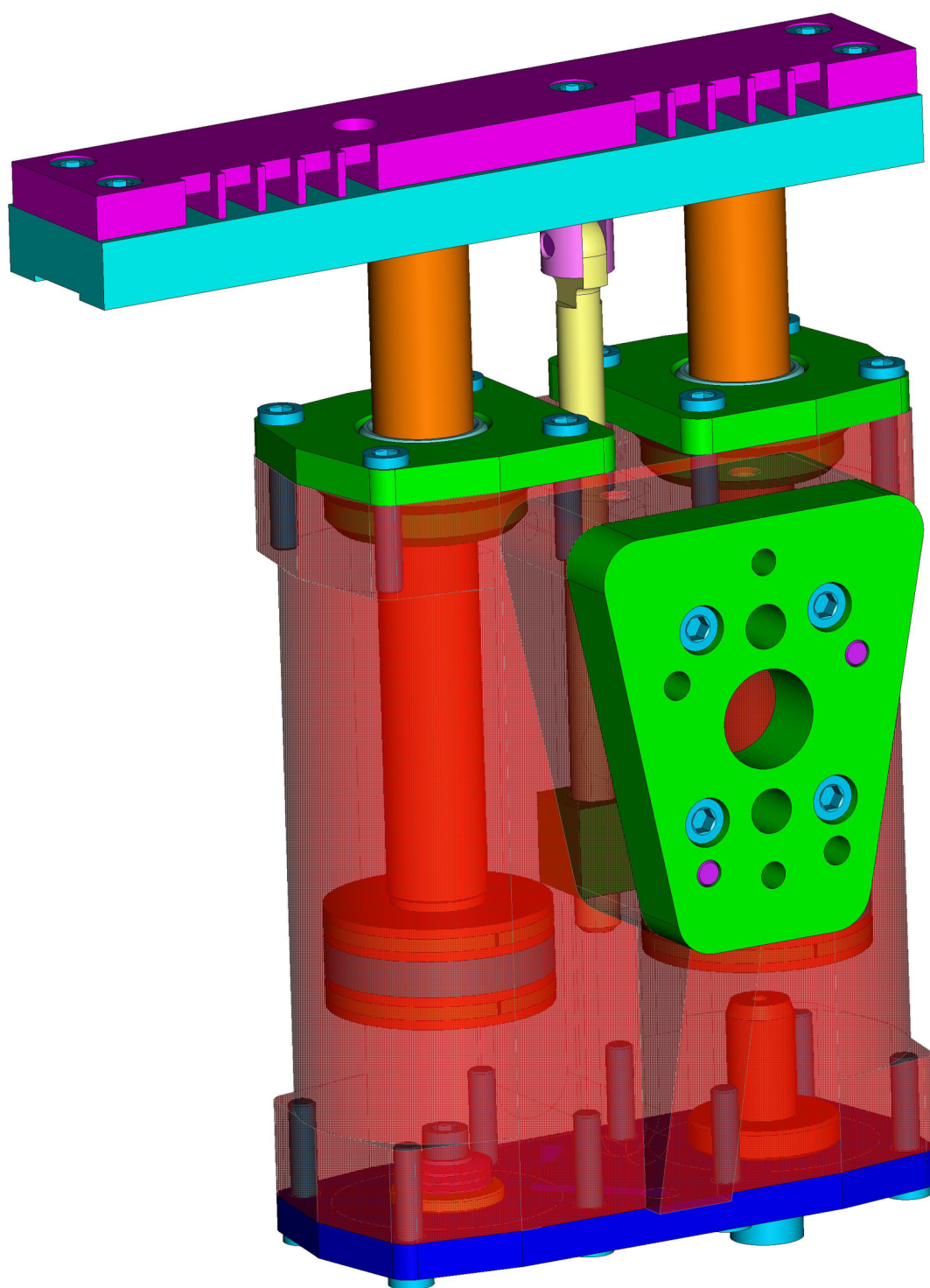
ЦП-401-002
PUSHER
(A91-4F4)



Pusher ЦП-401-002



Pusher ЦП-401-002



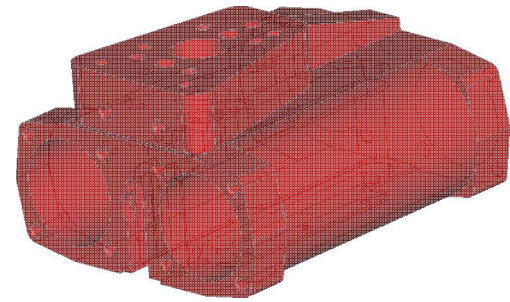
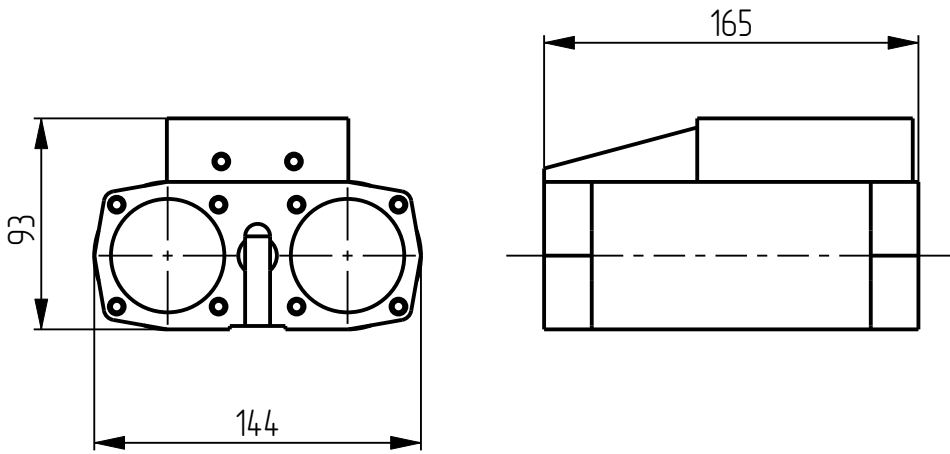
Pusher ЦП-401-002 Specification

		Parts		
№ pos	Code	Name	Name	Qty
1	ЦП-401-002-01	Cylinder block		1
2	ЦП-401-002-02	Flange		1
3	ЦП-401-002-03	Cover		1
4	ЦП-401-002-04	Piston		2
5	ЦП-401-002-05	Front cover		2
6	ЦП-401-002-06	Plate		1
7	ЦП-401-002-07	Plate		1
8	ЦП-401-002-08	Nut		1
9	ЦП-401-002-09	Stock		1
10	ЦП-401-002-10	Clevis		1
11	ЦП-401-002-12	Bushing		2
12	ЦП-401-002-13	Direction		1
13	ЦП-401-002-14	Piston ring		4
14	ЦП-401-002-15	Compression ring		2
15	ЦП-401-002-16	Dempher bolt		1
16	ЦП-401-002-17	Con. spring washer		6

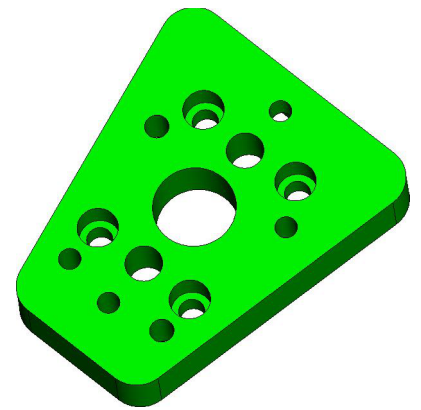
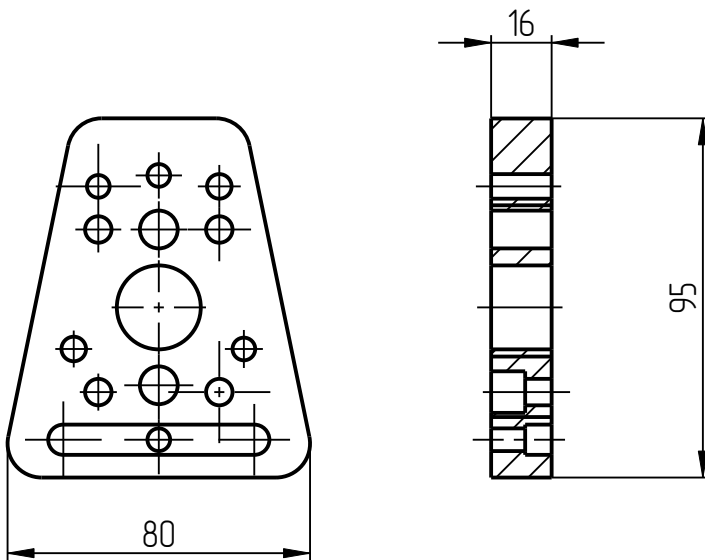
Standard parts

17	Screw M6x20 DIN 912		1
18	Spring washer 6JI DIN 127		20
19	Pin 6Гx14 DIN 6325		1
20	Screw M6x16 DIN 912		5
21	Screw M10x20 DIN 912		1
22	Washer 10 GOST 6958-68		1
23	Washer 6 GOST 10450-68		1
24	Pin 6Гx25 DIN 6325		2
25	Screw M8x35 DIN 912		2
26	Screw M6x25 DIN 912		20

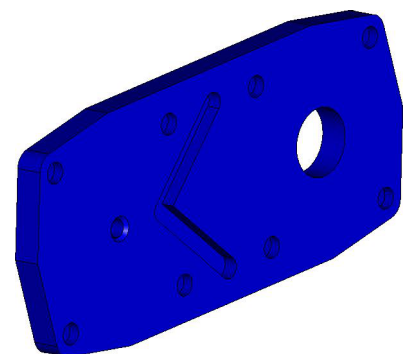
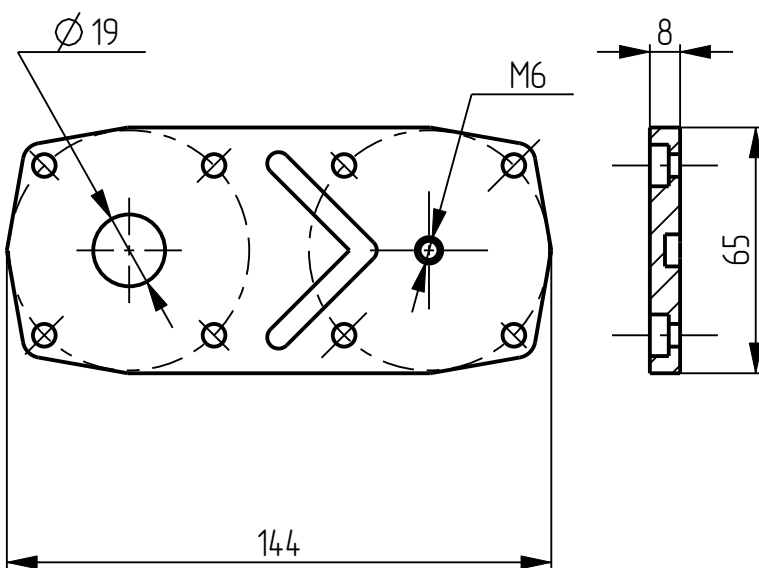
401



1. Cylinder block
ЦП-401-002-01

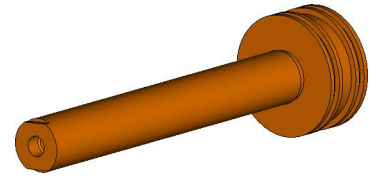
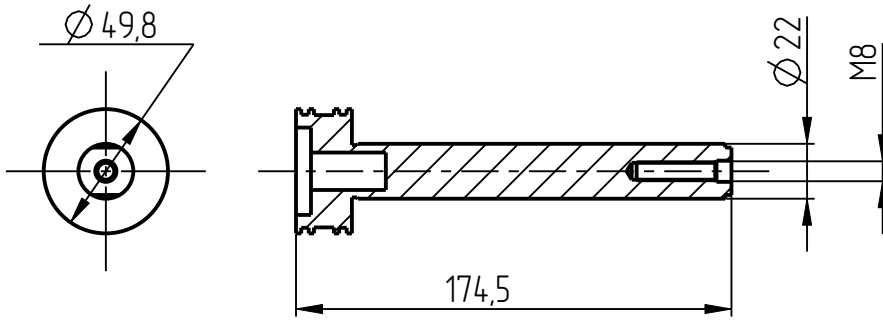


2. Flange
ЦП-401-002-02

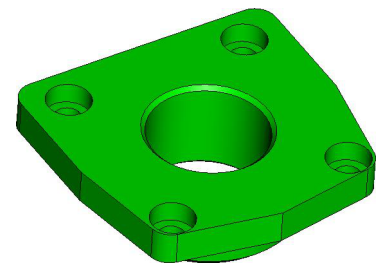
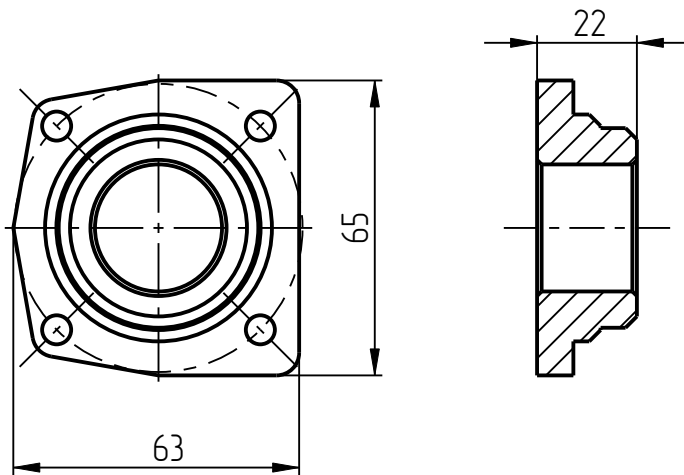


3. Cover
ЦП-401-002-03

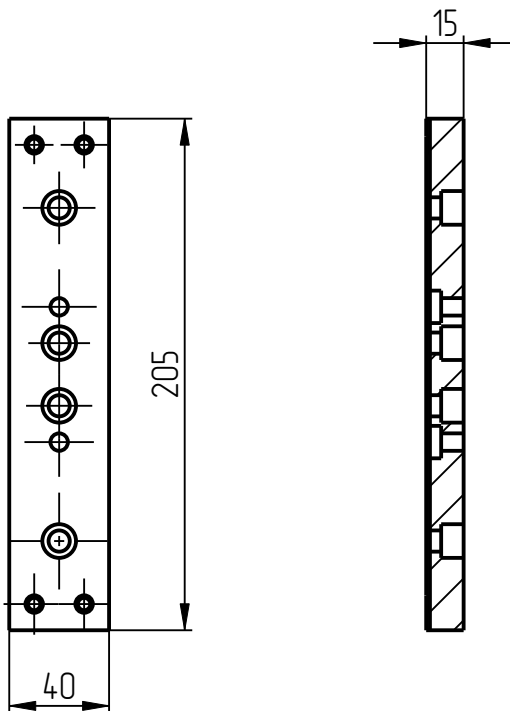
401



4. Piston
ЦП-401-002-04

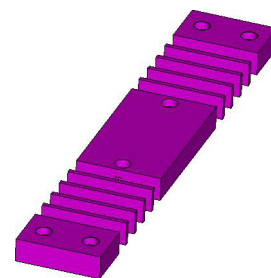
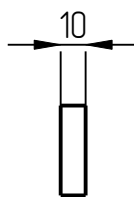
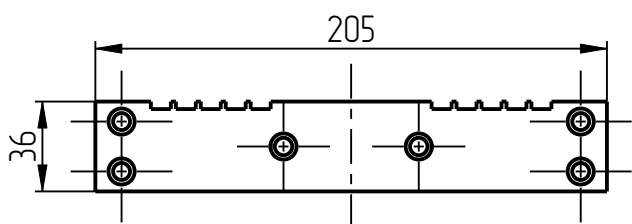


5. Front cover
ЦП-401-002-05

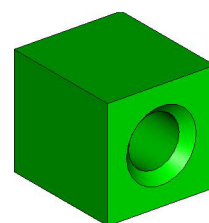
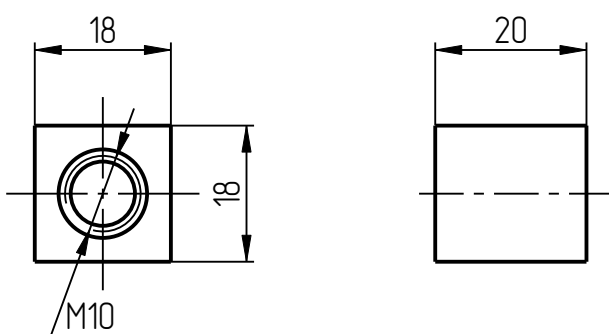


6. Plate
ЦП-401-002-06

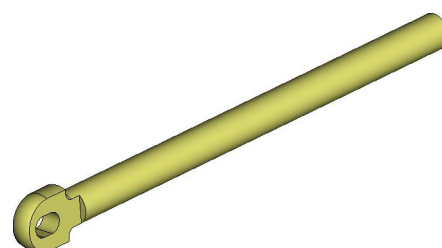
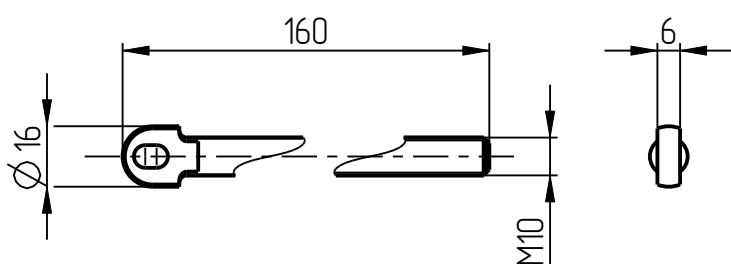
401



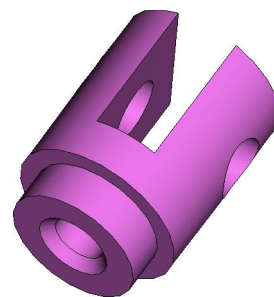
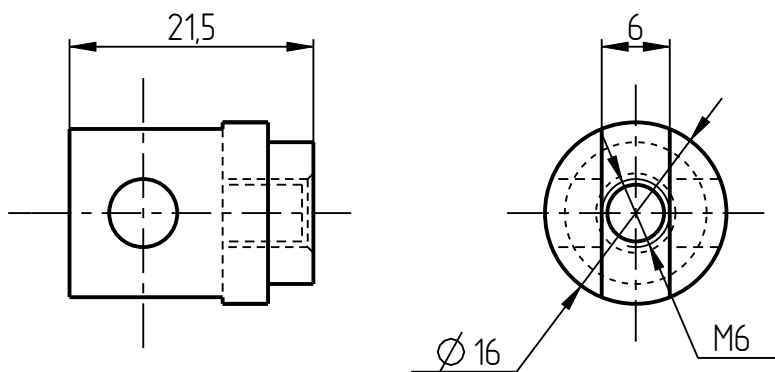
7. Plate
ЦП-401-002-07



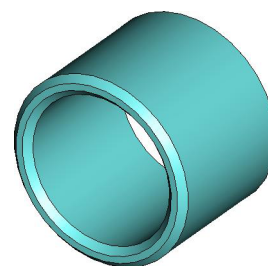
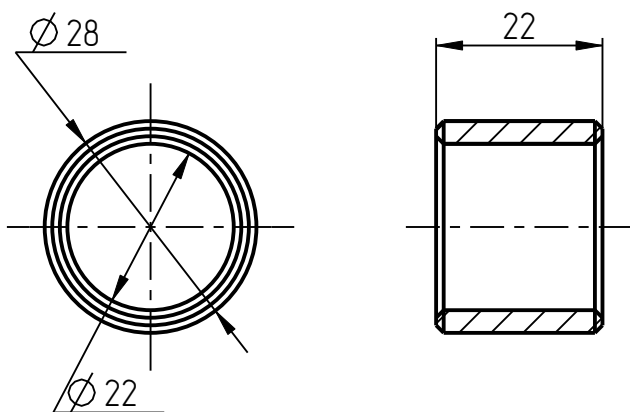
8. Nut
ЦП-401-002-08



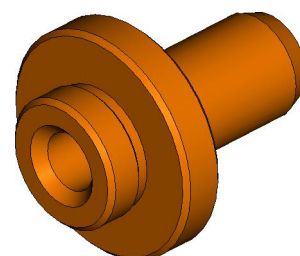
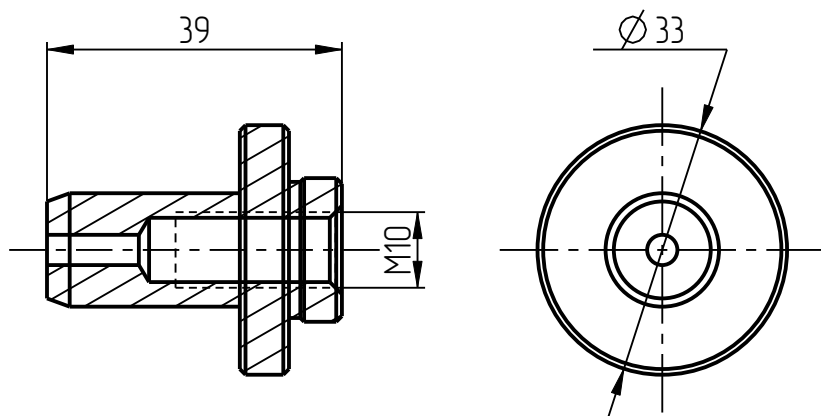
9. Stock
ЦП-401-002-09



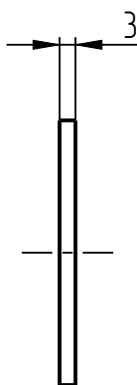
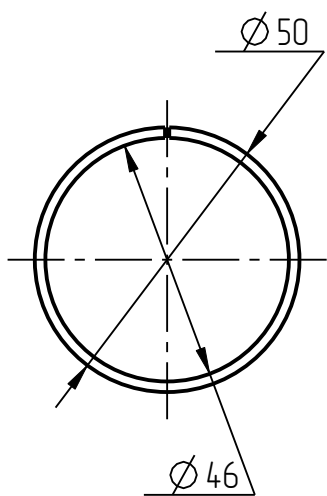
10. Clevis
ЦП-401-002-10



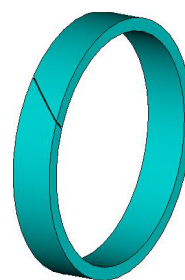
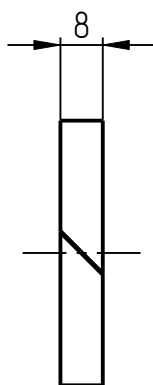
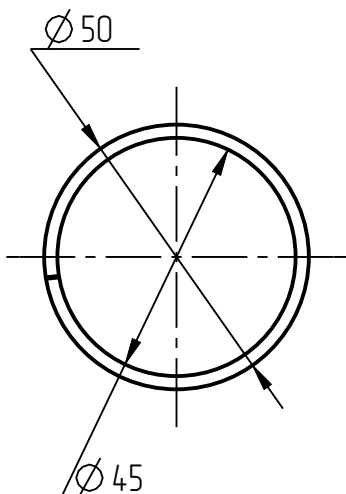
11. Bushing
ЦП-401-002-12



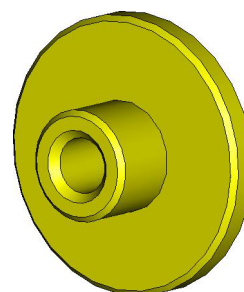
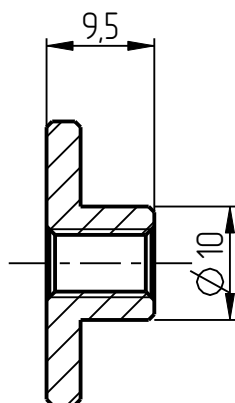
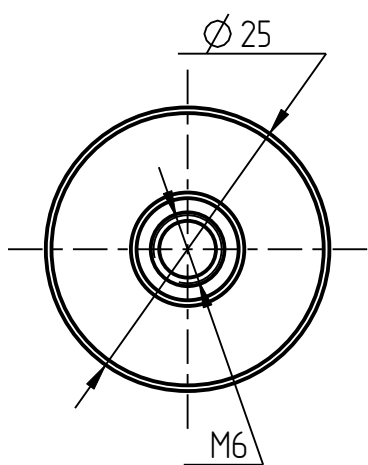
12. Direction
ЦП-401-002-13



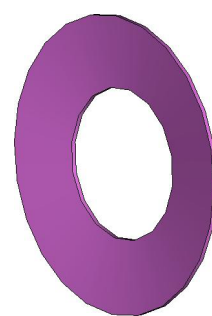
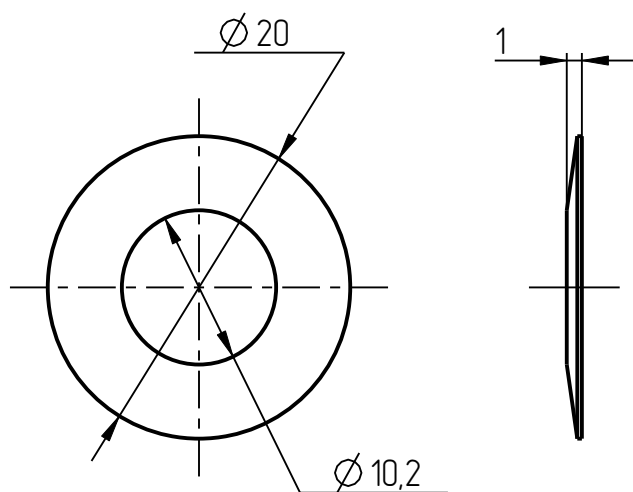
13. Piston ring
ЦП-401-002-14



14. Compression ring
ЦП-401-002-15



15. Dempher bolt
ЦП-401-002-16



16. Con. spring washer
ЦП-401-002-17