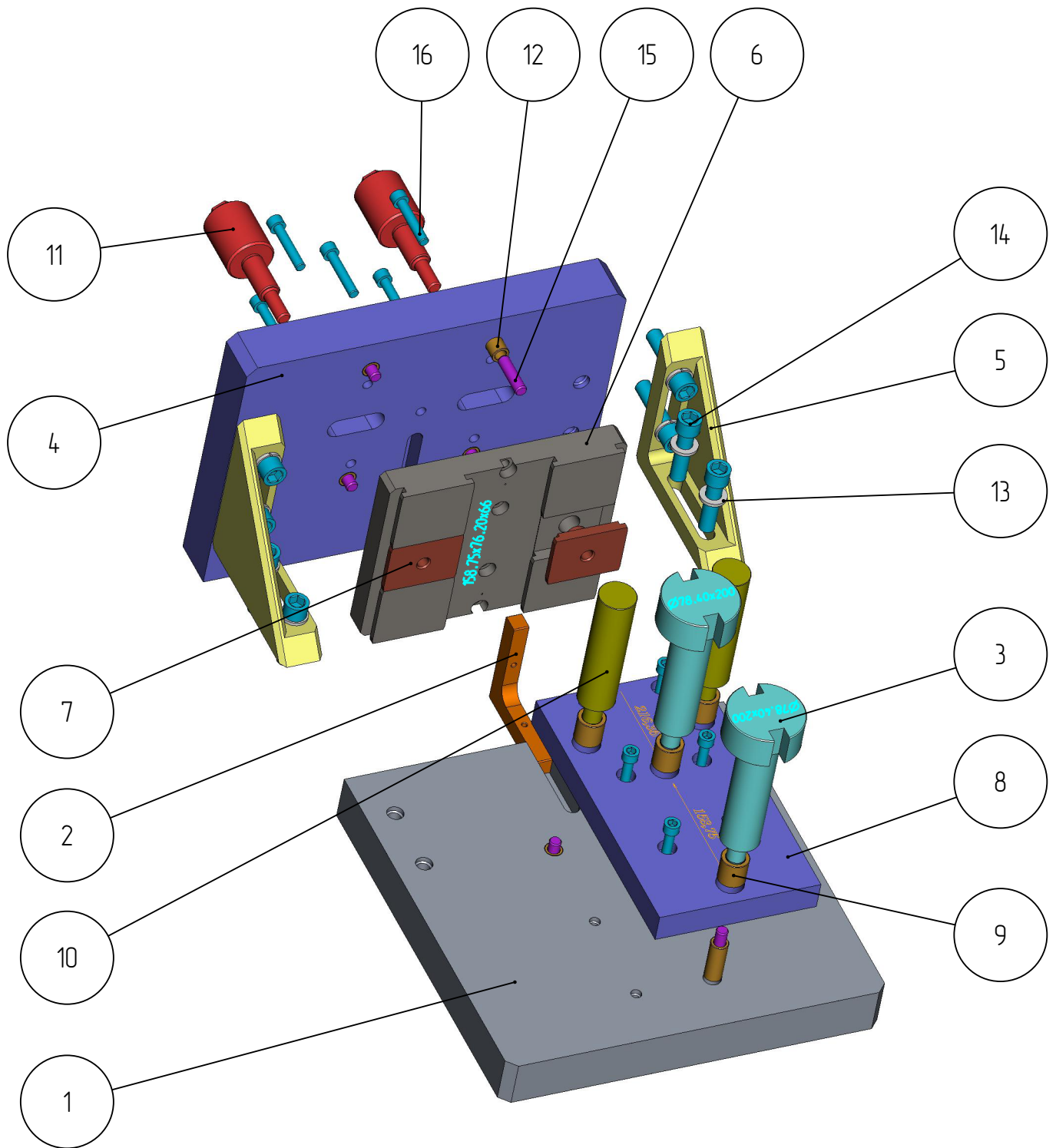


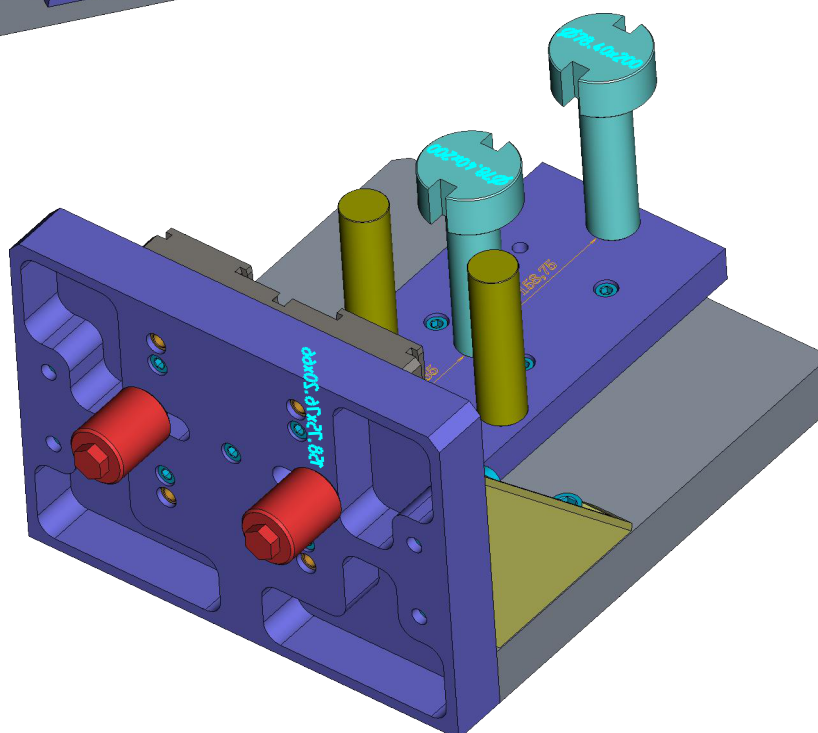
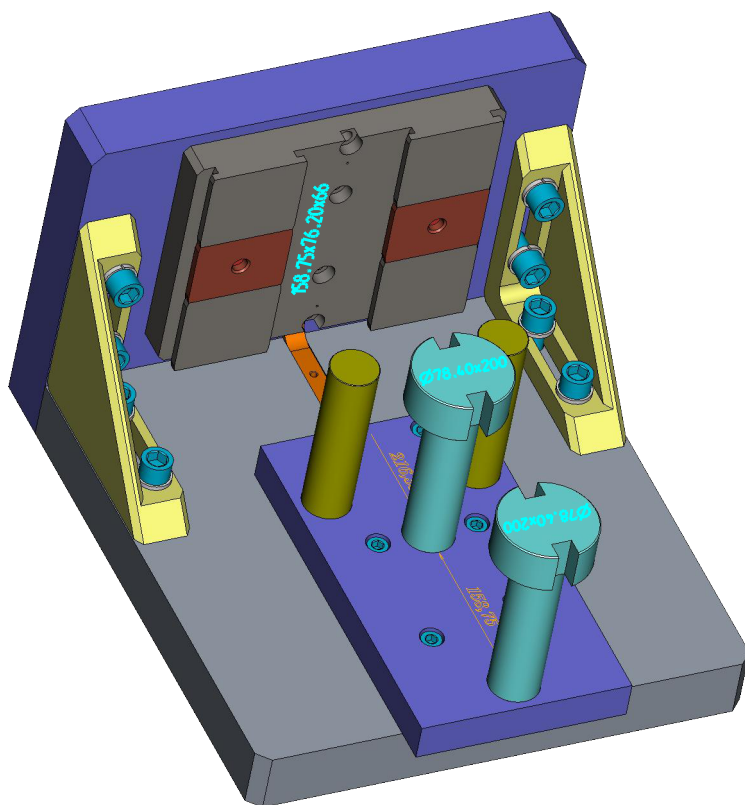
401

*DGK-KP-401-003*  
*Neckring Arm checking fixture 6-1/4"*

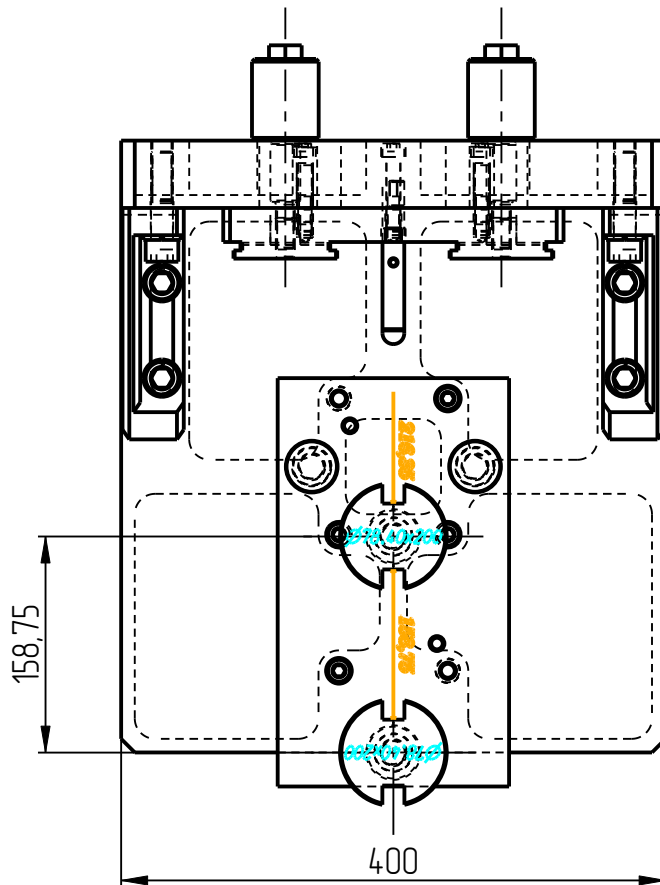
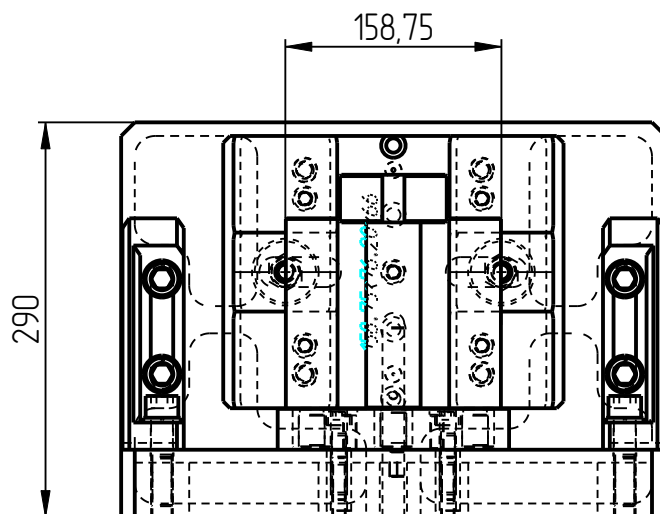
Neckring Arm checking fixture DGK-KP-401-003



## Neckring Arm checking fixture DGK-KP-401-003



## Neckring Arm checking fixture DGK-KP-401-003



## Neckring Arm checking fixture DGK-KP-401-003 Specification

| № pos.                | Code                         | Name            | Qty |
|-----------------------|------------------------------|-----------------|-----|
| <b>Parts</b>          |                              |                 |     |
| 1                     | DGK-KP-1-1                   | Main plate      | 1   |
| 2                     | DGK-KP-1-10                  | Angle           | 1   |
| 3                     | DGK-KP-1-12                  | Caliber         | 2   |
| 4                     | DGK-KP-1-2                   | Wall            | 1   |
| 5                     | DGK-KP-1-3                   | Angle           | 2   |
| 6                     | DGK-KP-1-4-1                 | Plate           | 1   |
| 7                     | DGK-KP-1-4-1-1               | Holder          | 2   |
| 8                     | DGK-KP-1-5-6                 | Measuring plate | 1   |
| 9                     | DGK-KP-1-6                   | Bushing         | 4   |
| 10                    | DGK-KP-1-7                   | Support         | 2   |
| 11                    | DGK-KP-1-8                   | Screw           | 2   |
| 12                    | DGK-KP-1-9                   | Bushing         | 6   |
| <b>Standard parts</b> |                              |                 |     |
| 13                    | Spring washer B16-A4 DIN 127 |                 | 8   |
| 14                    | Screw M16x65 DIN 912         |                 | 8   |
| 15                    | Pin 12x45 DIN 6325           |                 | 6   |
| 16                    | Screw M10x55 DIN 912         |                 | 9   |