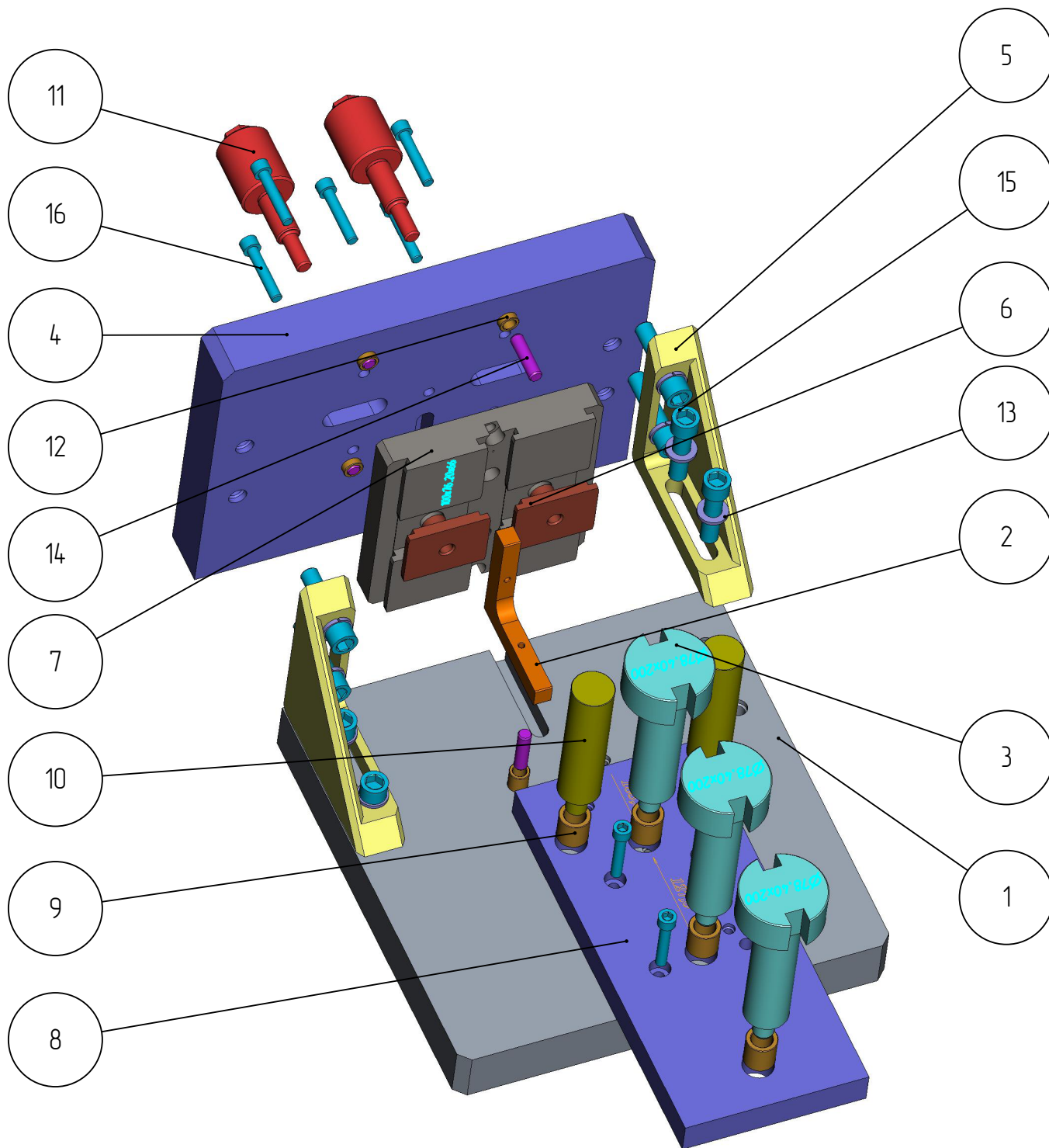


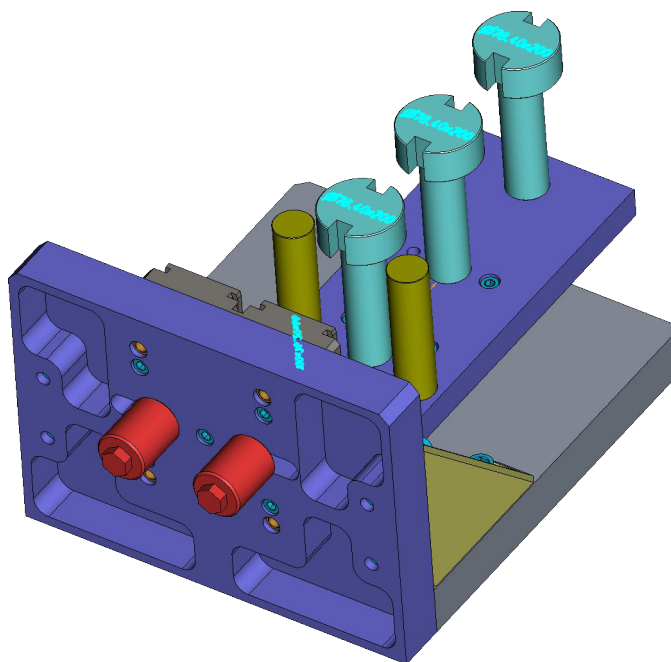
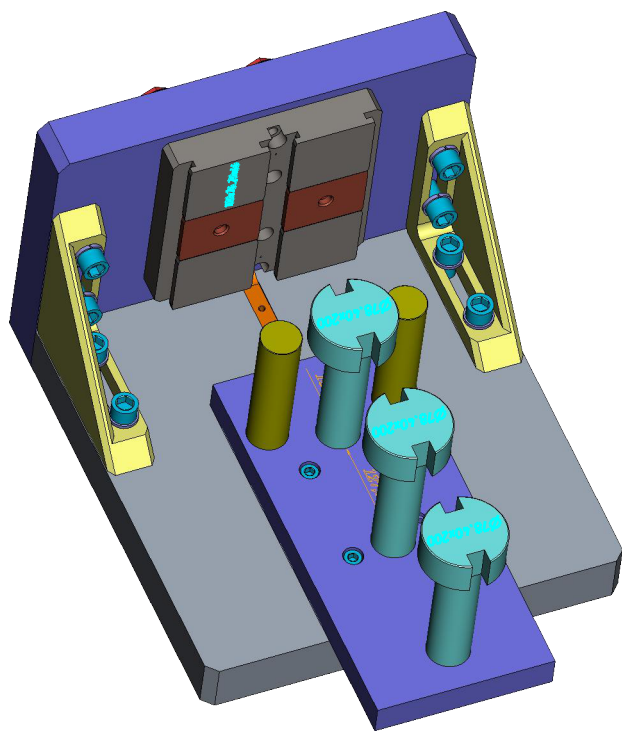
401

DGK-KP-401-005
Neckring Arm checking fixture 5"

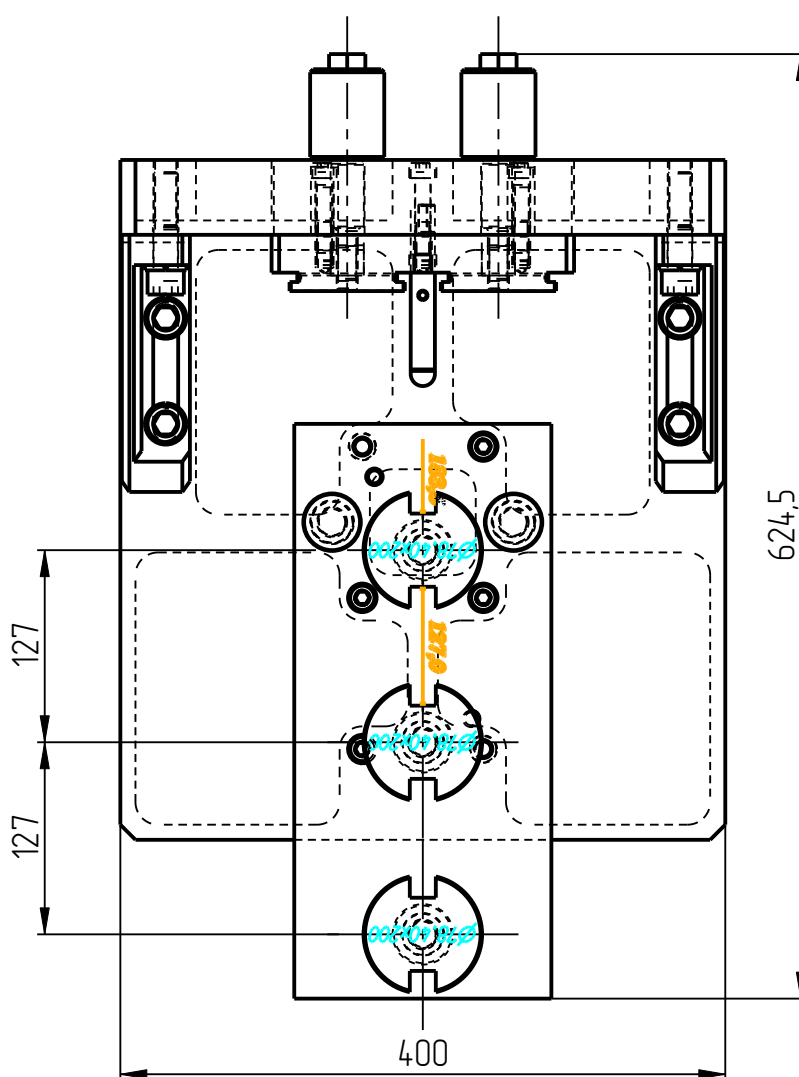
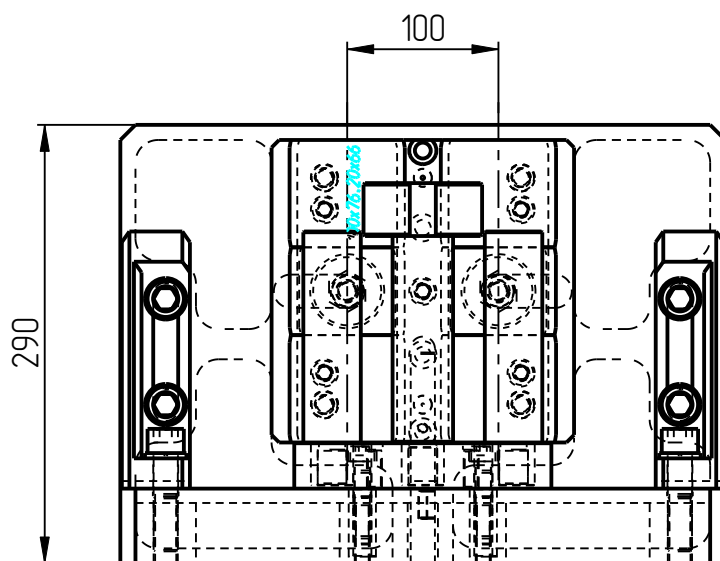
Neckring Arm checking fixture dgk-kp-401-004



Neckring Arm checking fixture dgk-kp-401-004



Neckring Arm checking fixture dgk-kp-401-004



Neckring Arm checking fixture DGK-KP-401-005 Specification

№ pos.	Code	Name	Qty
Parts			
1	DGK-KP-1-1	Main plate	1
2	DGK-KP-1-10	Angle	1
3	DGK-KP-1-12_78_4X200X17_2	Caliber	3
4	DGK-KP-1-2	Wall	1
5	DGK-KP-1-3	Angle	2
6	DGK-KP-1-4-3-1	Plate	2
7	DGK-KP-1-4-6	Holder	1
8	DGK-KP-1-5-7	Measuring plate	1
9	DGK-KP-1-6	Bushing	5
10	DGK-KP-1-7_L140	Support	2
11	DGK-KP-1-8	Screw	2
12	DGK-KP-1-9	Bushing	6
Standard parts			
13	Spring washer B16-A4 DIN 127		8
14	Pin 12Гx45 DIN 6325		6
15	Screw M16x65 DIN 912		8
16	Screw M10x55 DIN 912		9