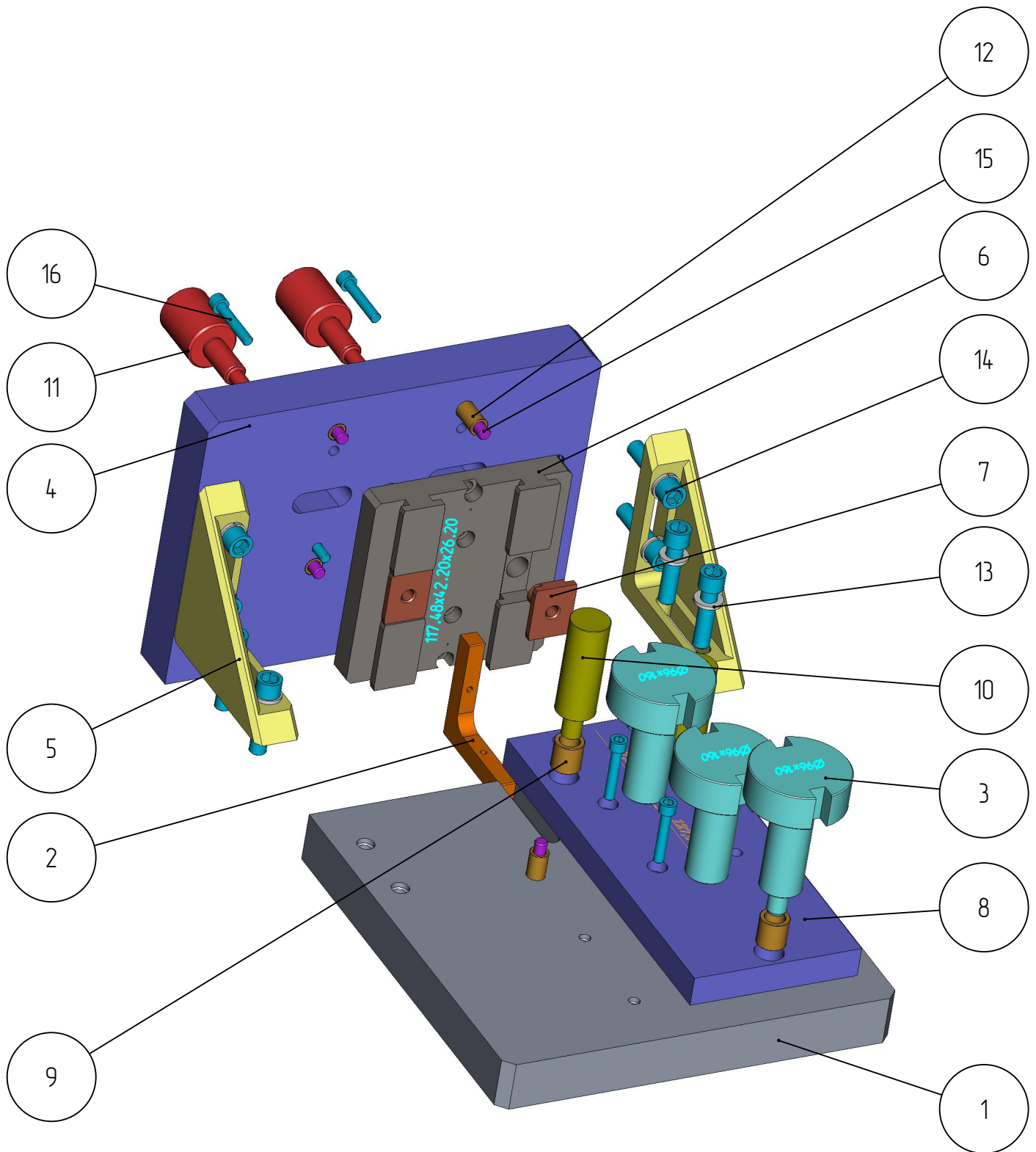


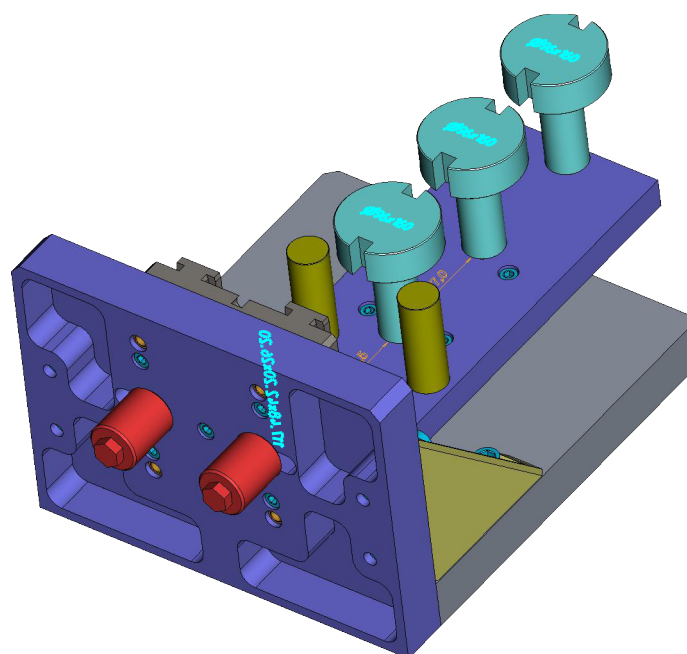
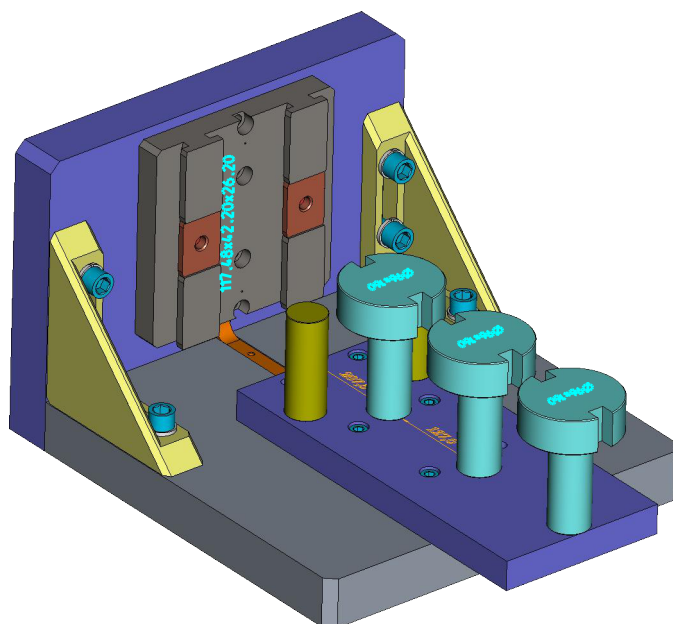
401

*DGK-KP-401-004*  
*Neckring Arm checking fixture 5"*

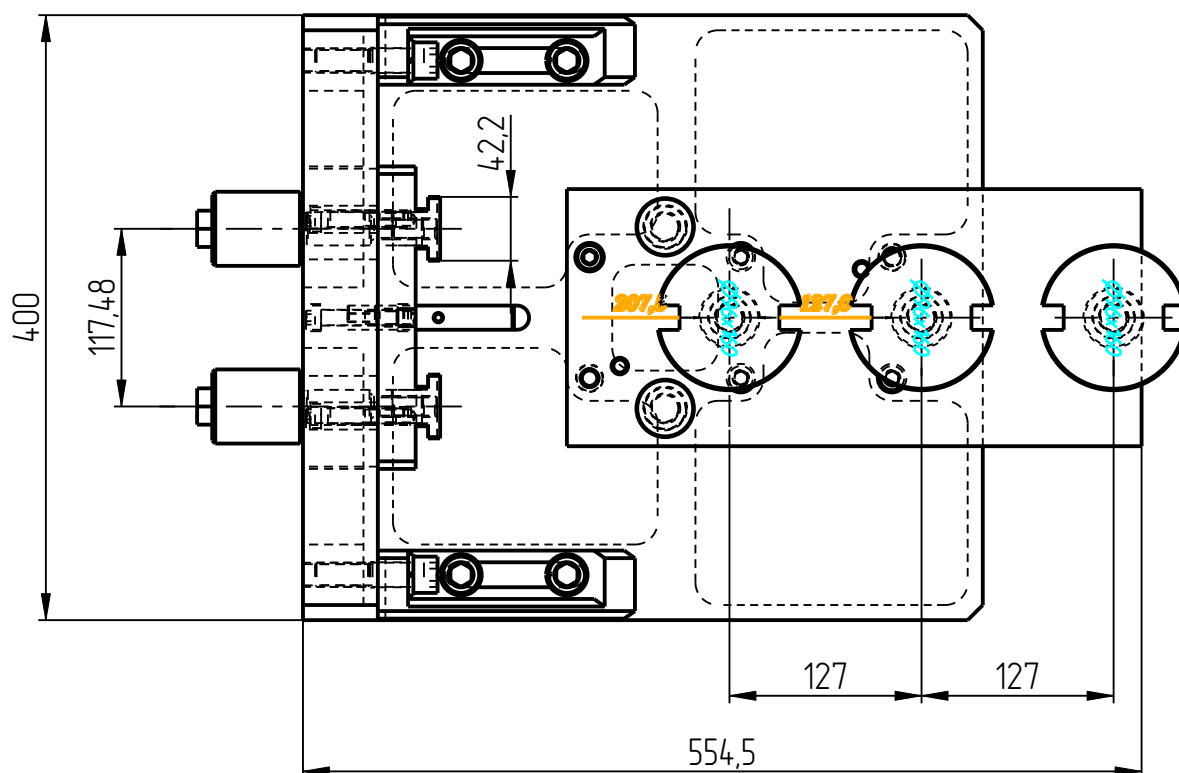
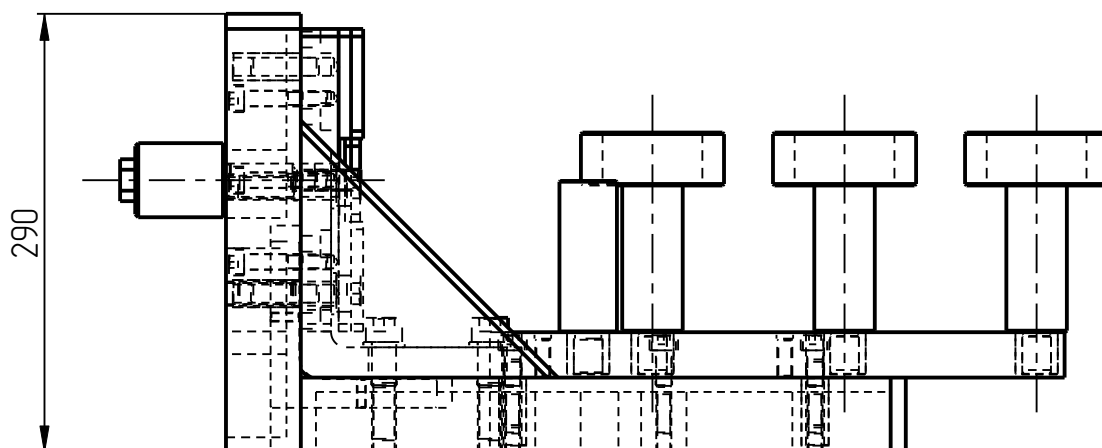
## Neckring Arm checking fixture DGK-KP-401-004



## Neckring Arm checking fixture DGK-KP-401-004



## Neckring Arm checking fixture DGK-KP-401-004



## Neckring Arm checking fixture DGK-KP-401-004 Specification

№ pos.	Code	Name	Qty
<b>Parts</b>			
1	DGK-KP-1-1	Main plate	1
2	DGK-KP-1-10	Angle	1
3	DGK-KP-1-12_96X160	Caliber	3
4	DGK-KP-1-2	Wall	1
5	DGK-KP-1-3	Angle	2
6	DGK-KP-1-4-2	Plate	1
7	DGK-KP-1-4-2-1	Holder	2
8	DGK-KP-1-5-2	Measuring plate	1
9	DGK-KP-1-6	Bushing	5
10	DGK-KP-1-7_L100	Support	2
11	DGK-KP-1-8	Screw	2
12	DGK-KP-1-9	Bushing	6
<b>Standard parts</b>			
13	Spring washer B16-A4 DIN 127		8
14	Screw M16x65 DIN 912		8
15	Pin 12Гx45 DIN 6325		6
16	Screw M10x55 DIN 912		9