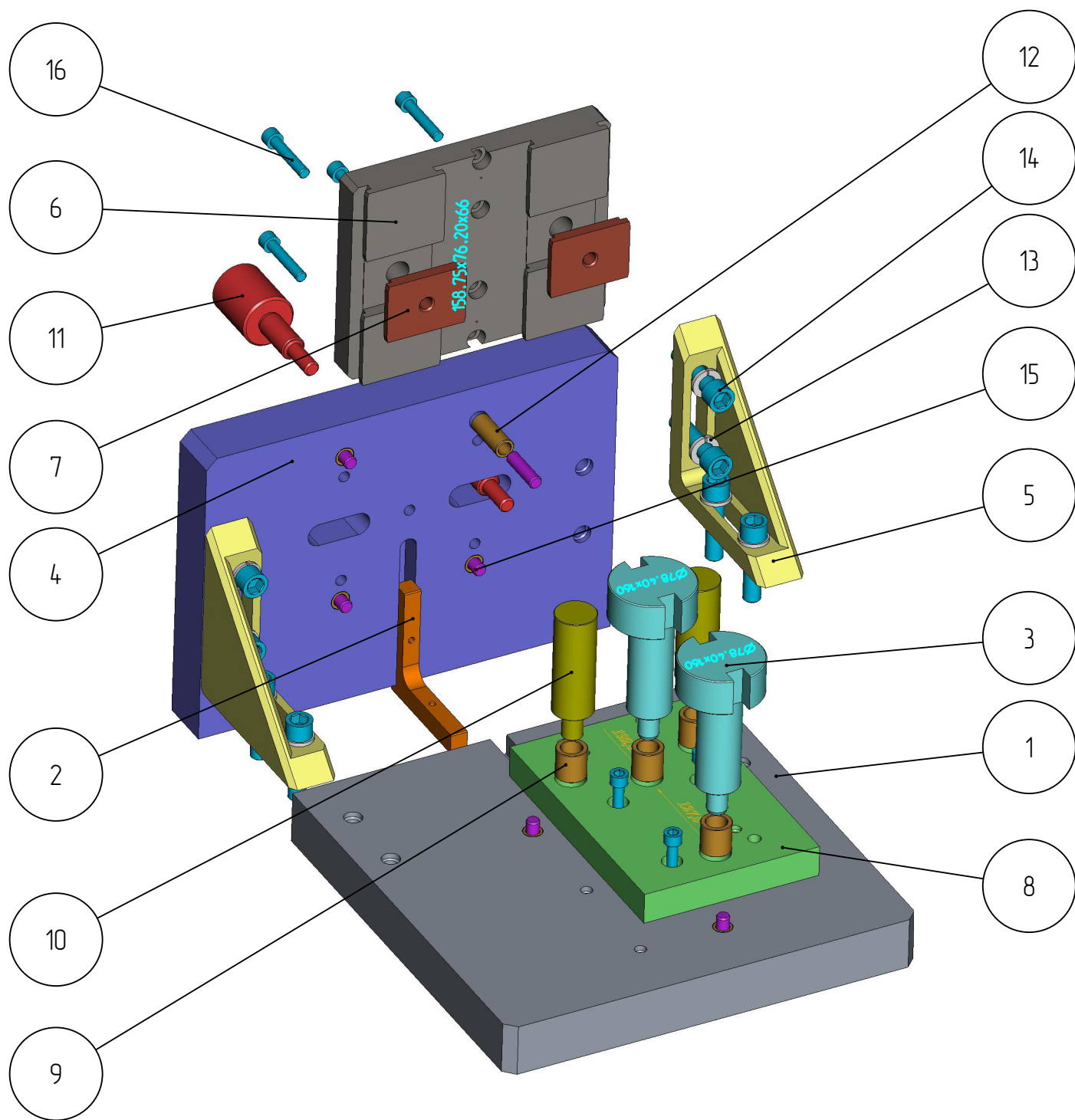


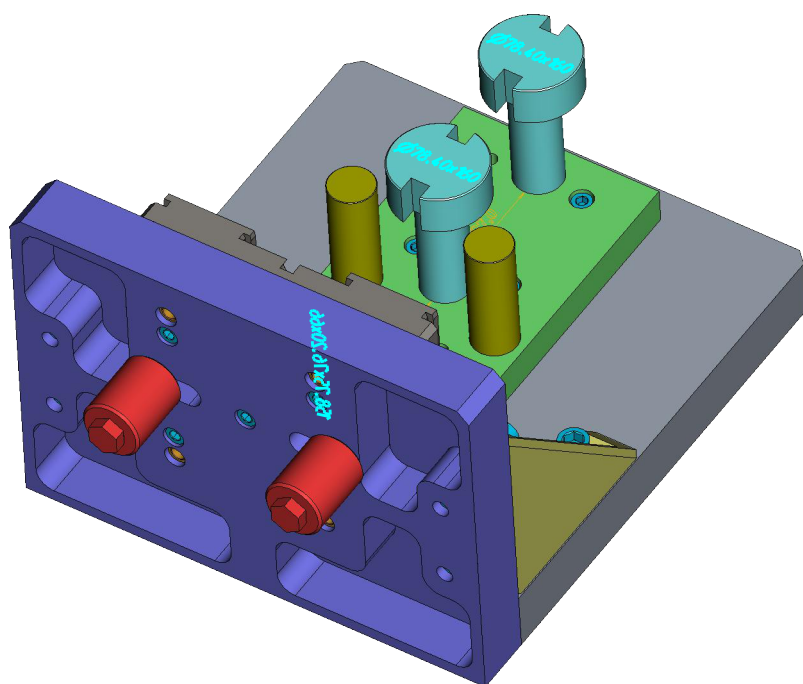
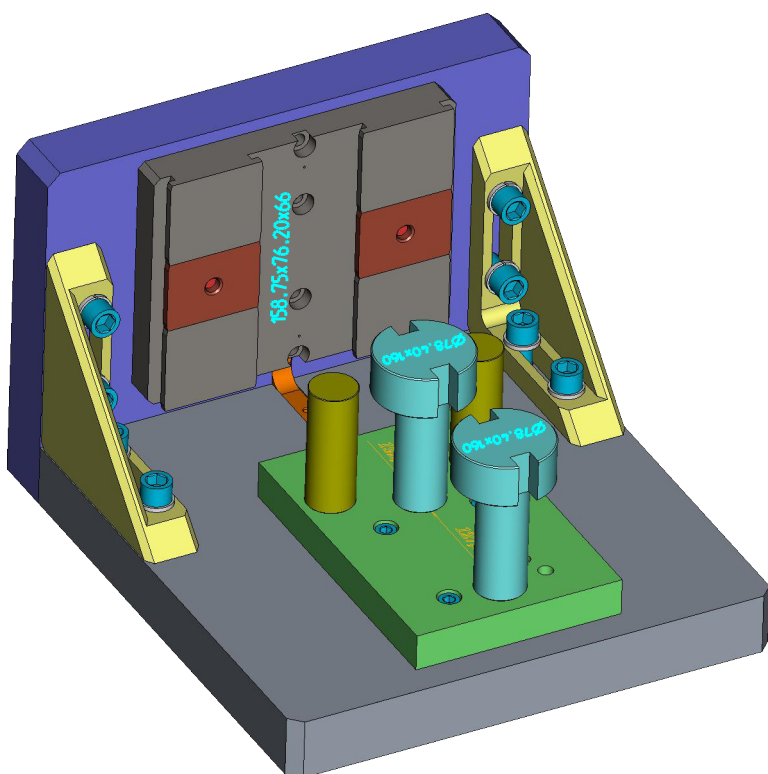
401

DGK-KP-401-001
Neckring Arm checking fixture 5"

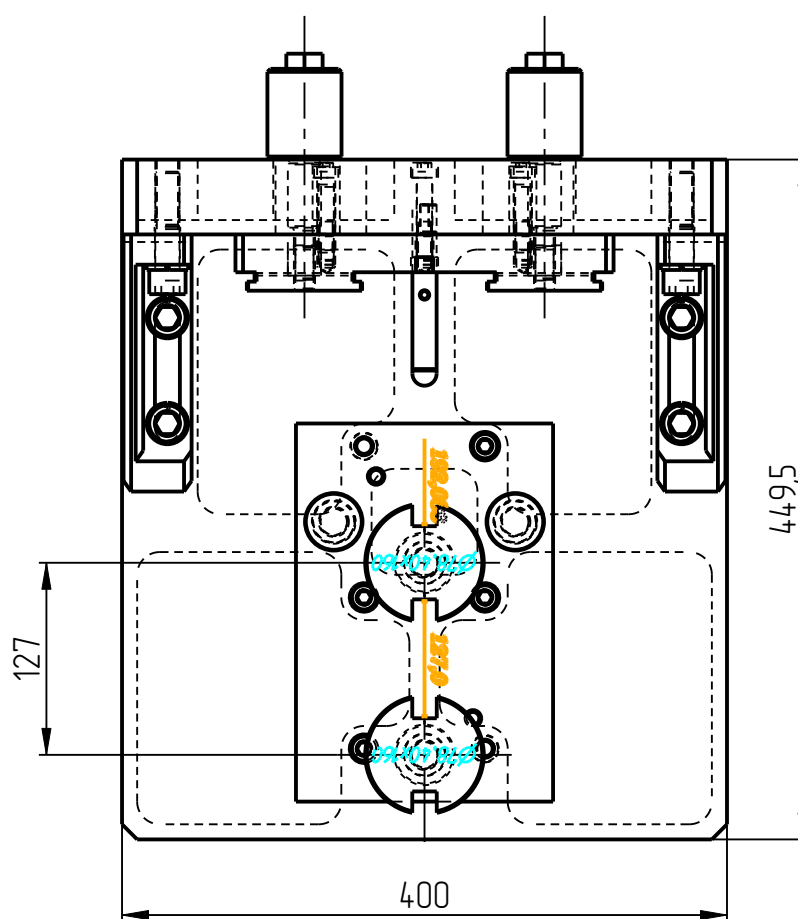
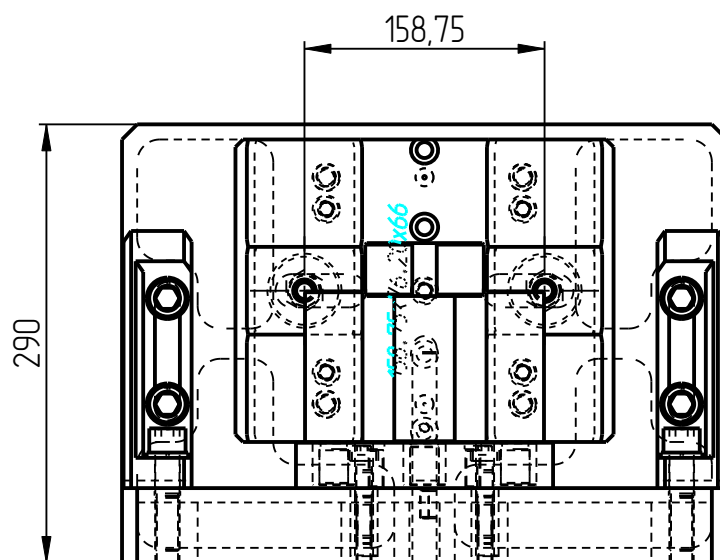
Neckring Arm checking fixture
 DGK-KP-401-001



Neckring Arm checking fixture DGK-KP-401-001



Neckring Arm checking fixture DGK-KP-401-001



Neckring Arm checking fixture DGK-KP-401-001 Specification

| № pos. | Code | Name | Qty |
|-----------------------|------------------------------|-----------------|-----|
| Parts | | | |
| 1 | DGK-KP-1-1 | Main plate | 1 |
| 2 | DGK-KP-1-10 | Angle | 1 |
| 3 | DGK-KP-1-12 | Caliber | 2 |
| 4 | DGK-KP-1-2 | Wall | 1 |
| 5 | DGK-KP-1-3 | Angle | 2 |
| 6 | DGK-KP-1-4-1 | Plate | 1 |
| 7 | DGK-KP-1-4-1-1 | Holder | 2 |
| 8 | DGK-KP-1-5-1 | Measuring plate | 1 |
| 9 | DGK-KP-1-6 | Bushing | 4 |
| 10 | DGK-KP-1-7 | Support | 2 |
| 11 | DGK-KP-1-8 | Screw | 2 |
| 12 | DGK-KP-1-9 | Bushing | 6 |
| Standard parts | | | |
| 13 | Spring washer B16-A4 DIN 127 | | 8 |
| 14 | Screw M10x55 DIN 912 | | 9 |
| 15 | Pin 12Гx45 DIN 6325 | | 6 |
| 16 | Screw M16x65 DIN 912 | | 8 |