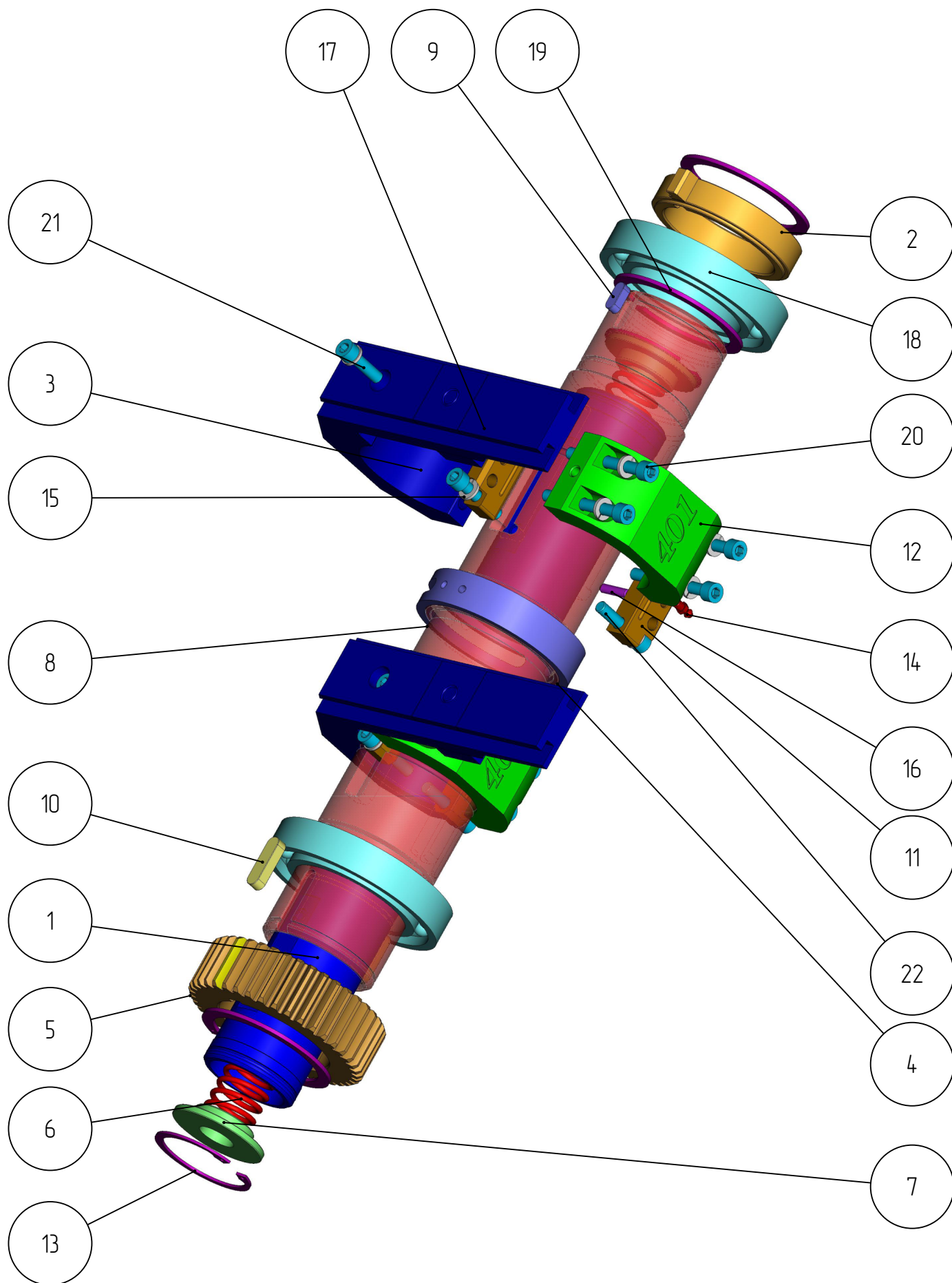


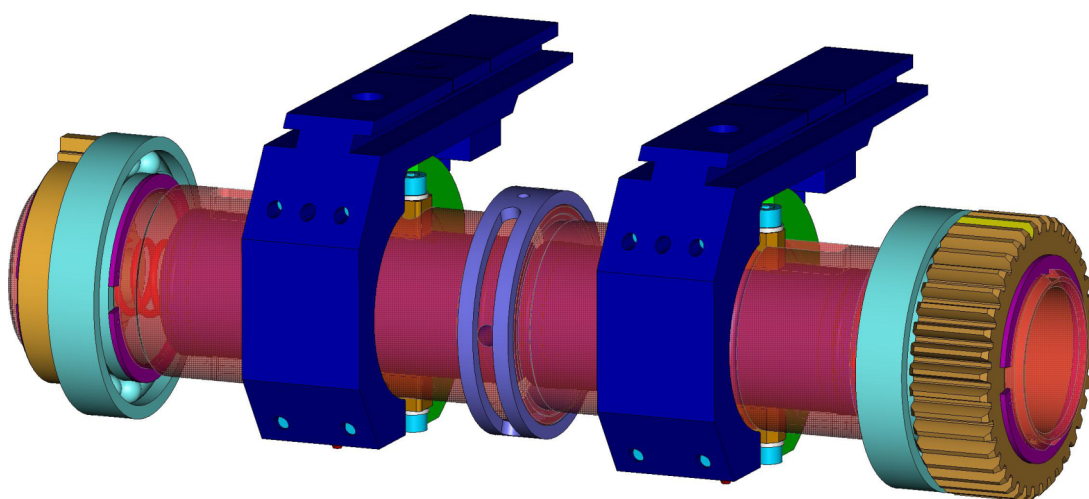
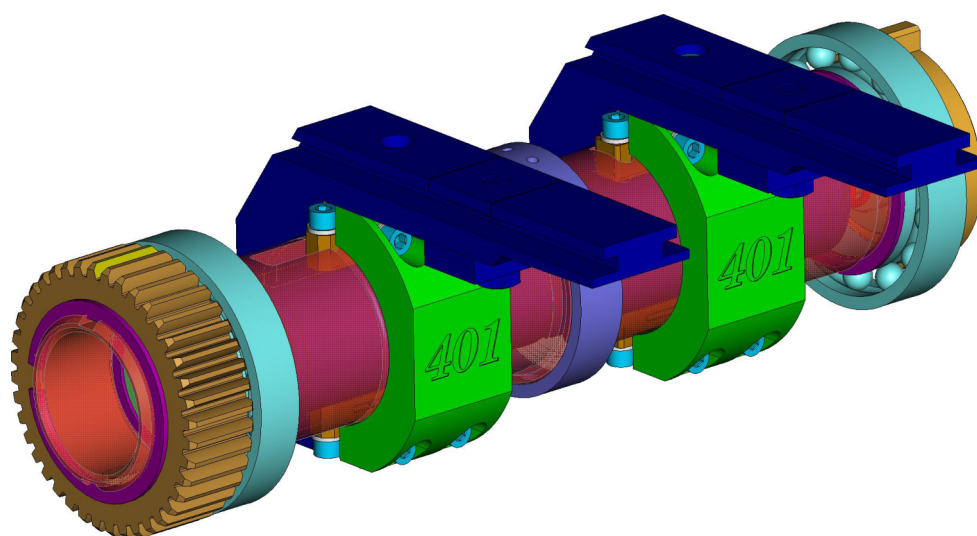
401

*NECK RING MECHANISM*  
*MT-401-002*  
*(601205-38910)*

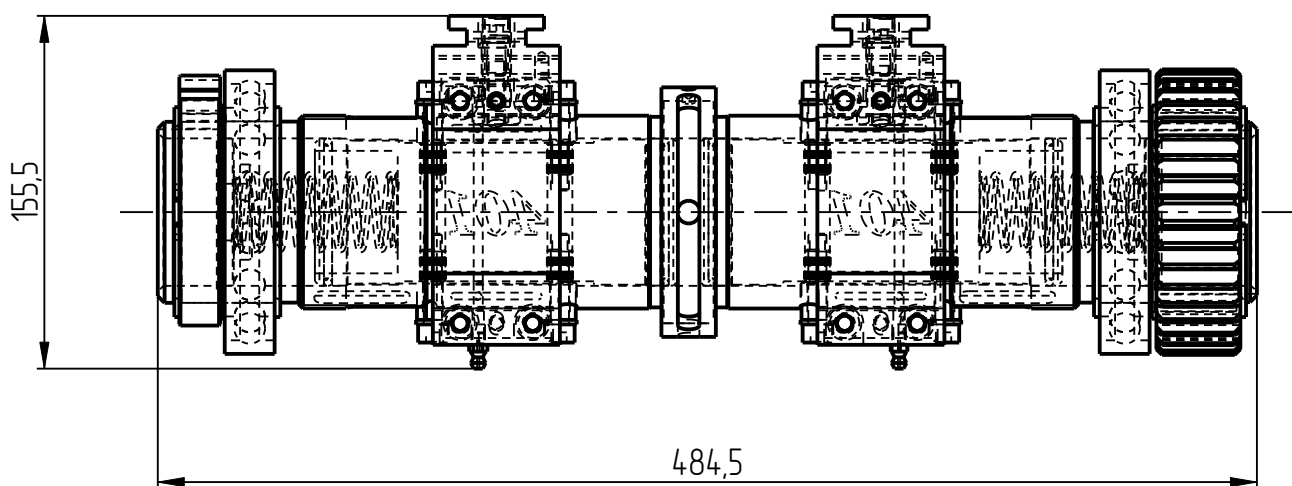
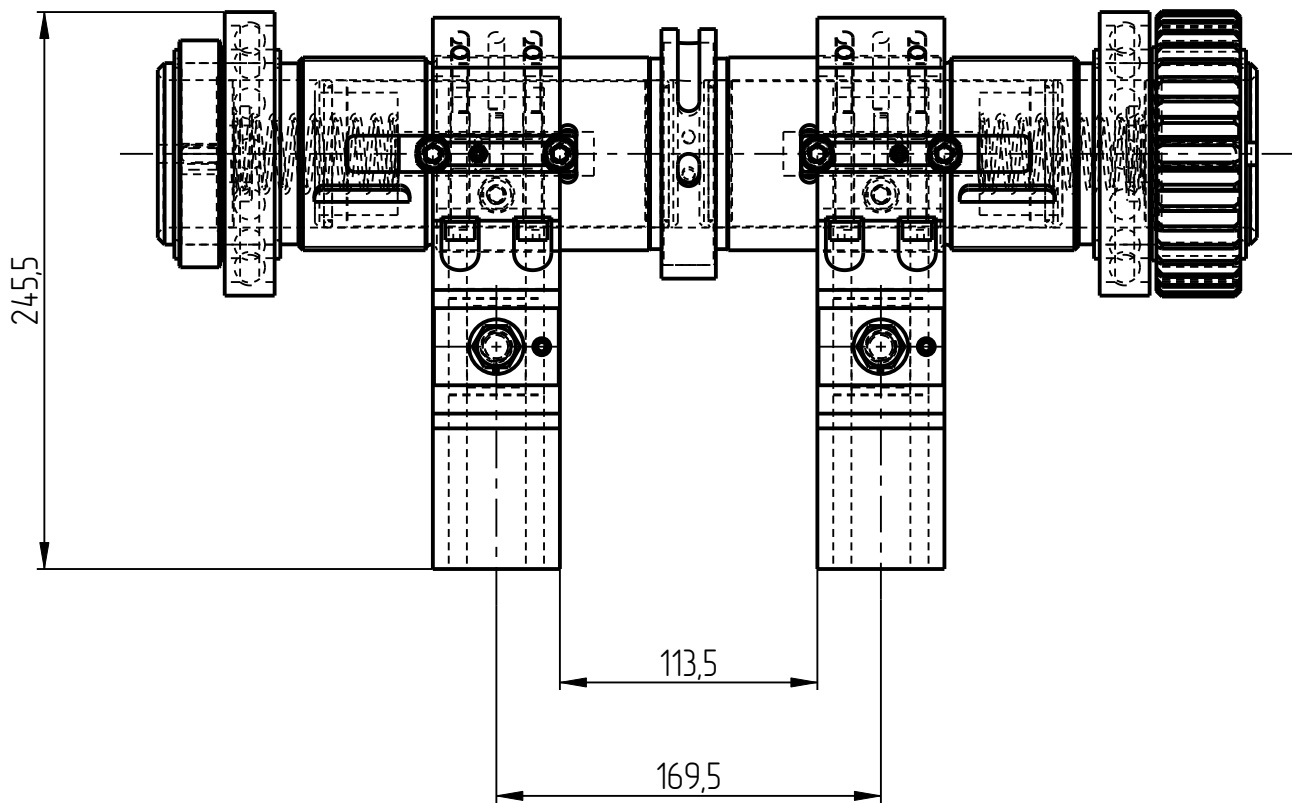
## Neck ring mechanism MT-401-002



Neck ring mechanism MT-401-002

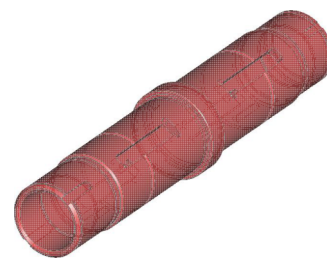
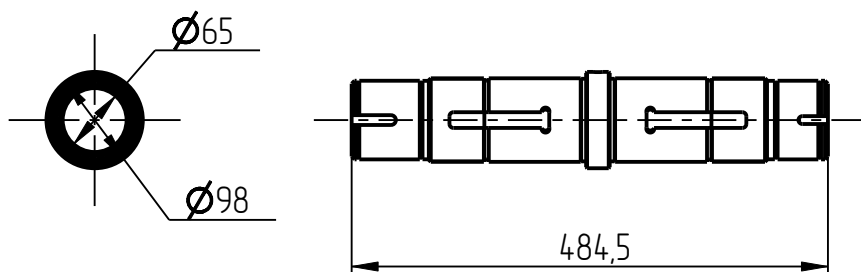


## Neck ring mechanism MT-401-002

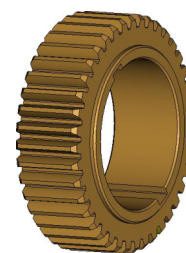
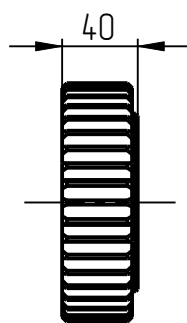
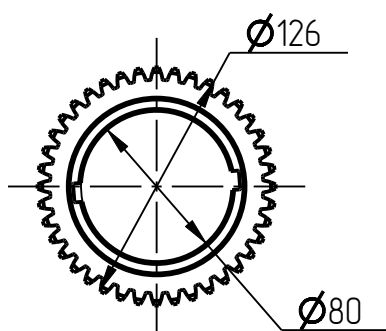


## Neck ring mechanism MT-401-002 Specification

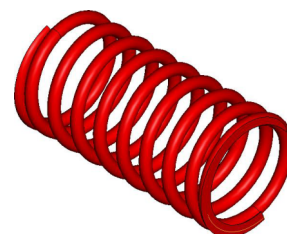
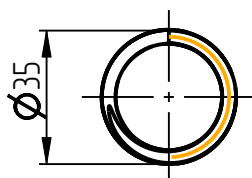
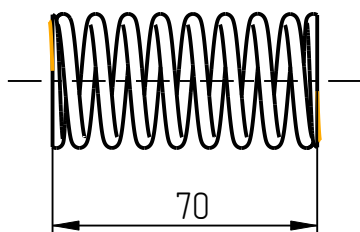
№ pos.	Code	Name	Qty
<b>Assemblies</b>			
1	MT-401-002-004	Piston	2
2	MT-401-002-007	Ring	1
3	MT-401-002-011	Holder	2
<b>Part</b>			
4	MT-401-002-001	Shaft	1
5	MT-401-002-002	Gear	1
6	MT-401-002-003	Spring	2
7	MT-401-002-005	Washer	2
8	MT-401-002-008	Ring	1
9	MT-401-002-009	Key	1
10	MT-401-002-010	Key	2
11	MT-401-002-006	Holding plate	4
12	MT-401-002-014	Reinforcement	2
<b>Standard parts</b>			
13	Retaining ring	Ø65 DIN 472	2
14	Lube nipple A-M6	DIN 71412	2
15	Spring washer B8-A4	DIN 127	18
16	Pin 6Гx25	DIN 6325	4
17	Hex socket set screw M6x8	DIN 913	2
18	Ball bearing 116	ГОСТ 8338-75	2
19	Retaining ring A80	DIN 471	4
20	Screw M8x70	DIN 912	8
21	Screw M8x30	DIN 912	2
22	Screw M8x40	DIN 912	8



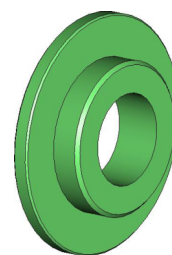
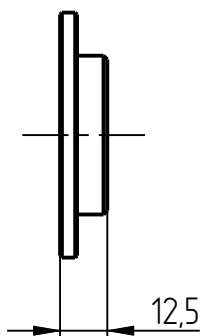
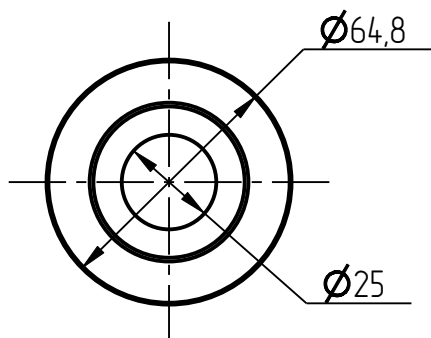
4. Shaft  
MT-401-002-001



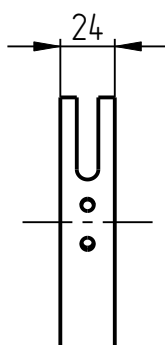
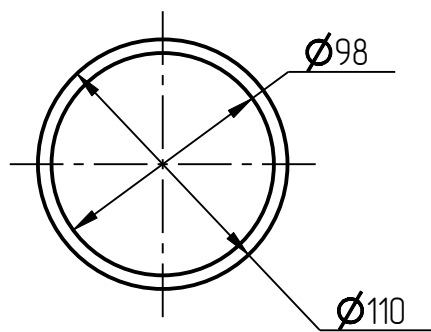
5. Gear  
MT-401-002-002



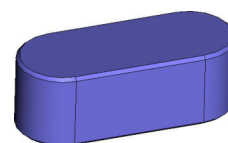
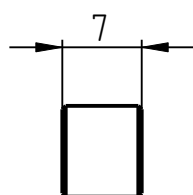
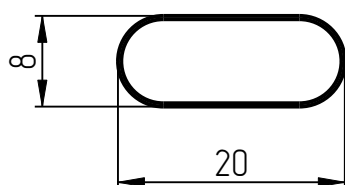
6. Spring  
MT-401-002-003



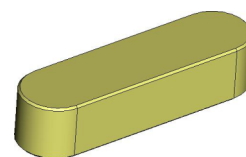
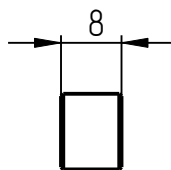
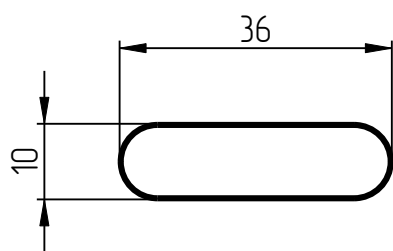
7. Washer  
MT-401-002-005



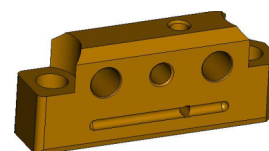
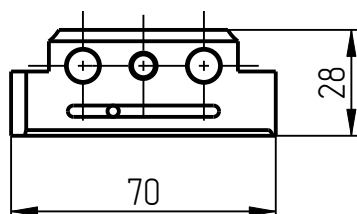
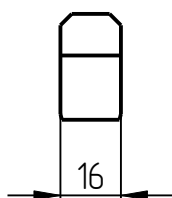
8. Ring  
MT-401-002-008



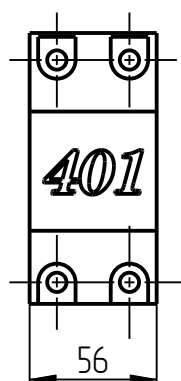
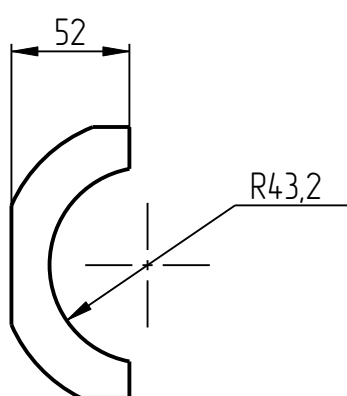
9. Key  
MT-401-002-009



10. Key  
MT-401-002-010



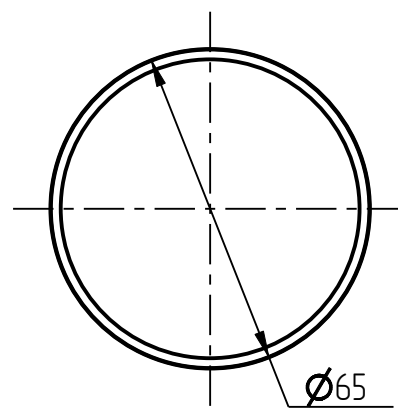
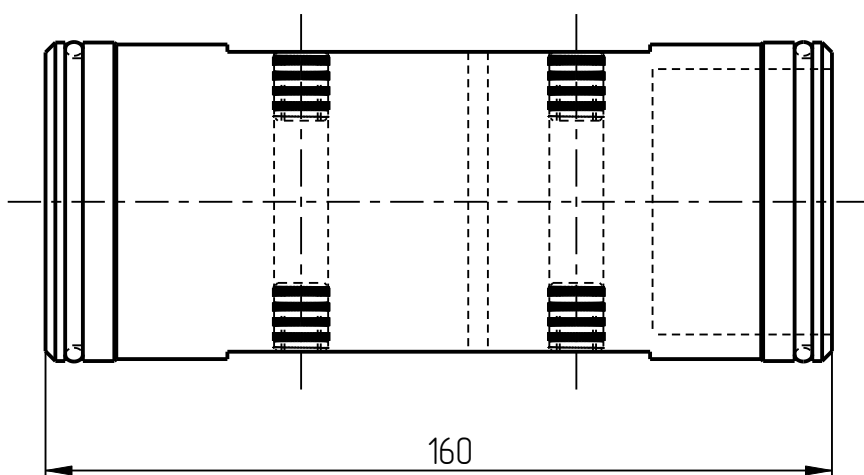
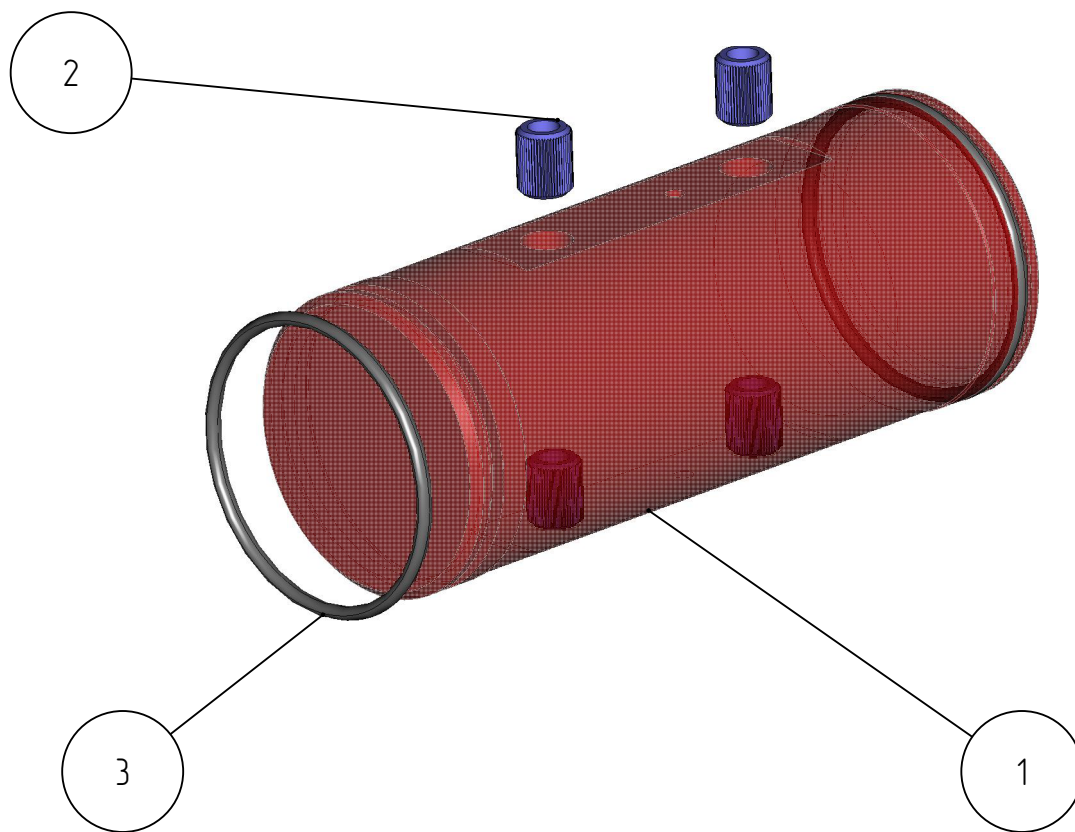
11. Holding plate  
MT-401-002-006

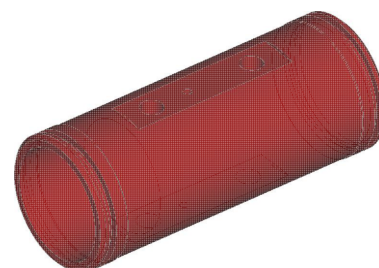
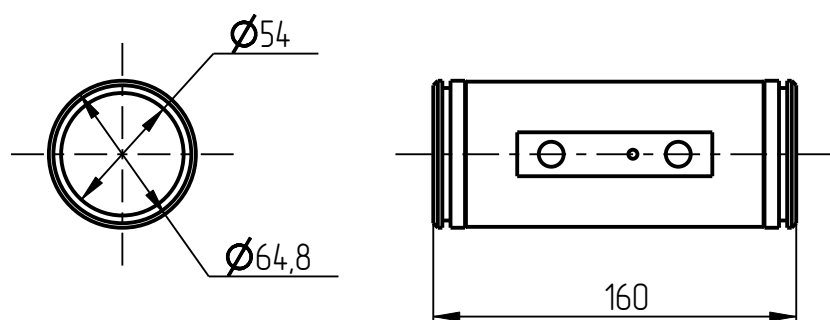


12. Reinforcement  
MT-401-002-014

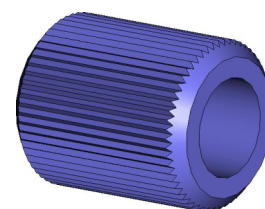
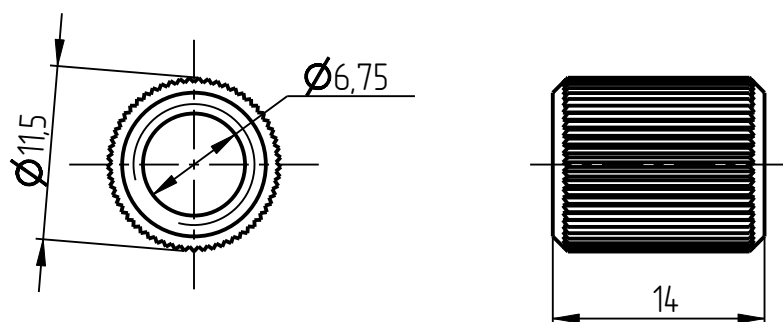
Assemblies

1. Piston



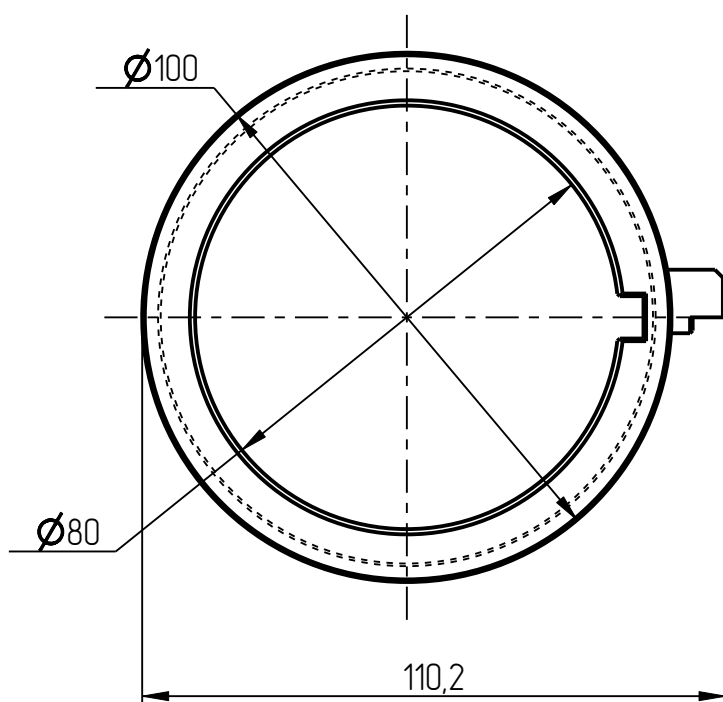
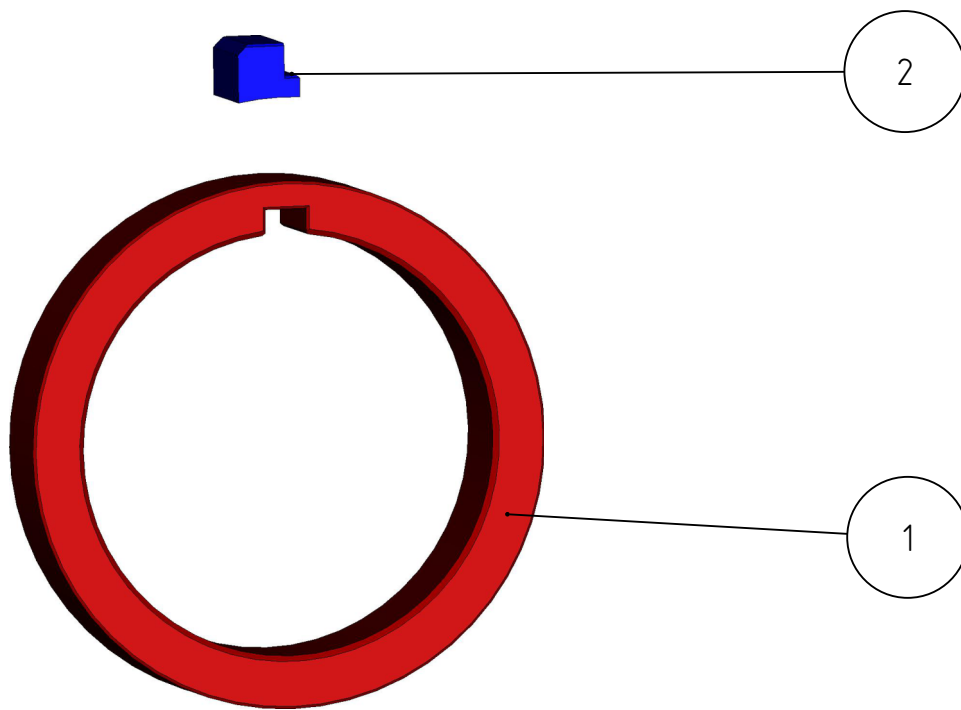


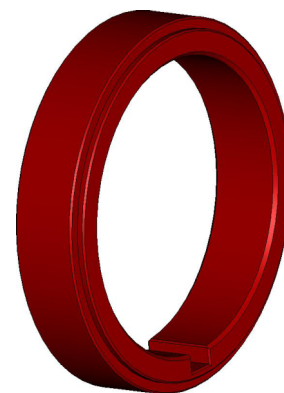
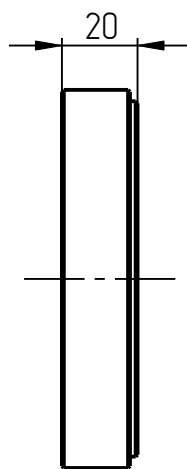
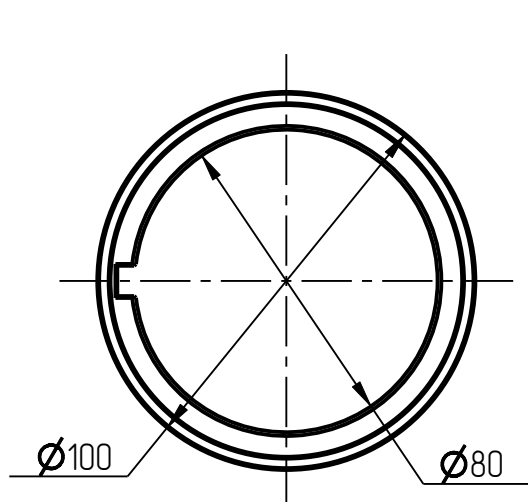
1. Piston  
MT-401-002-004-01



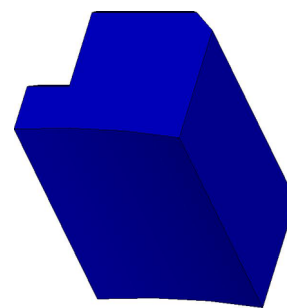
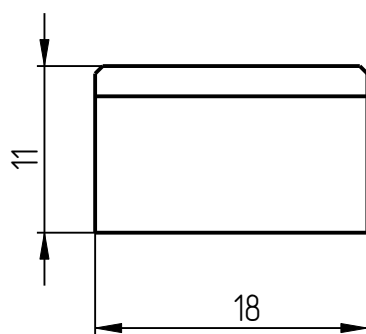
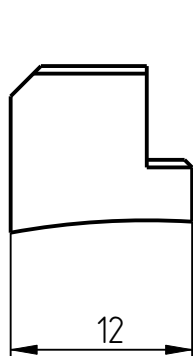
2. Threaded bushing  
MT-401-002-004-02

2. Ring



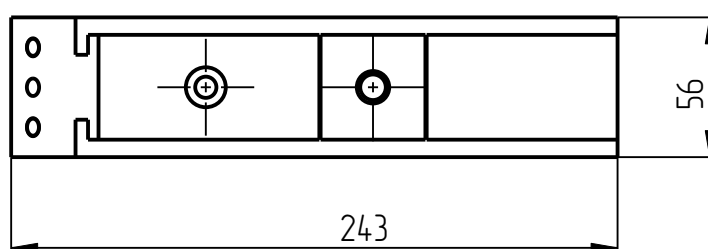
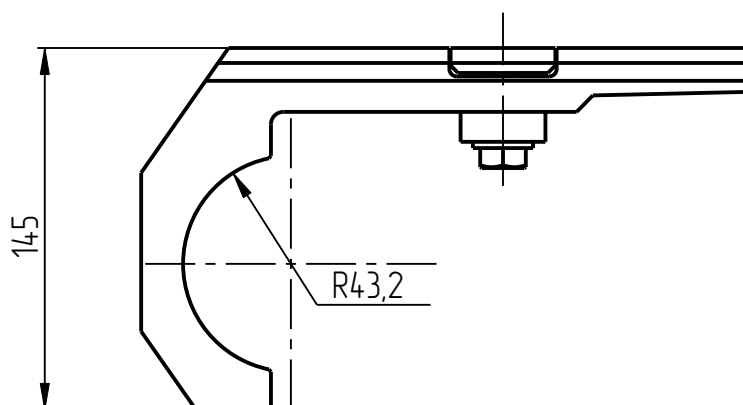
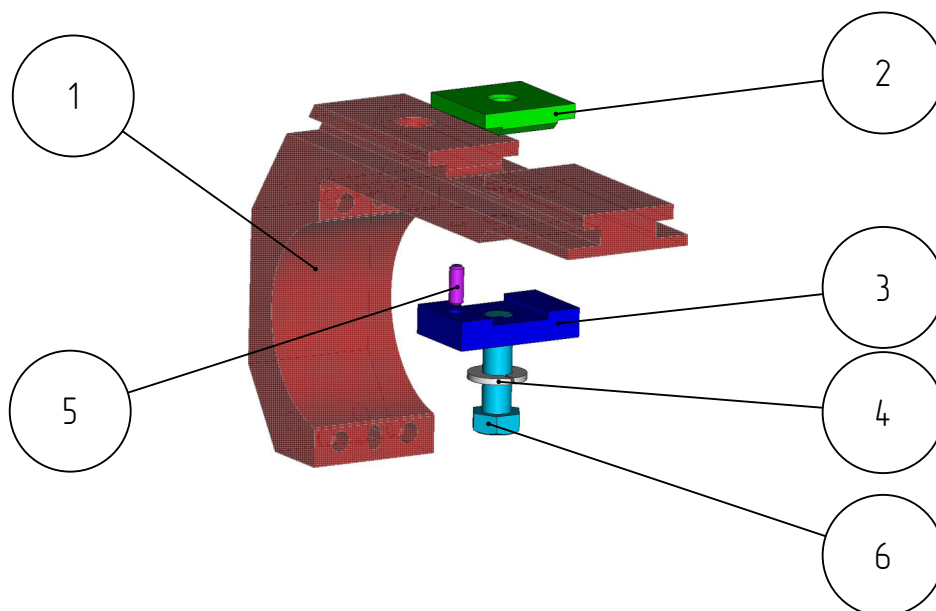


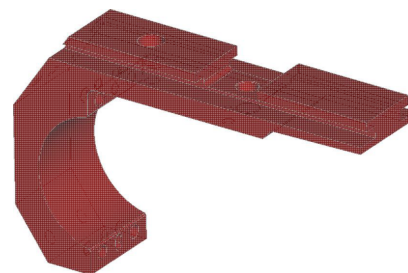
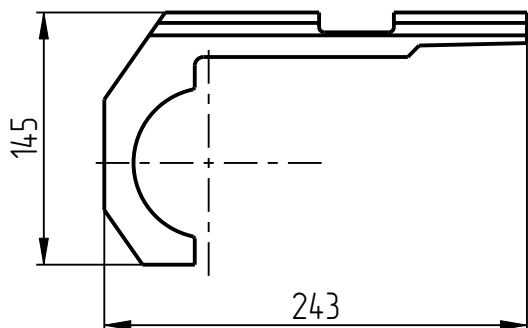
1. Ring  
MT-401-002-007-01



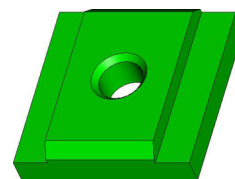
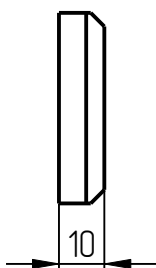
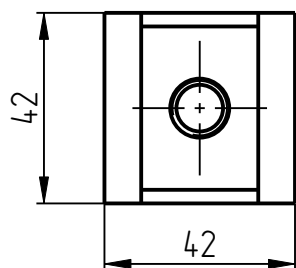
2. Holding plate  
MT-401-002-007-02

## 3. Holder

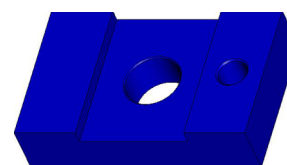
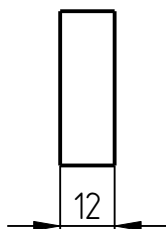
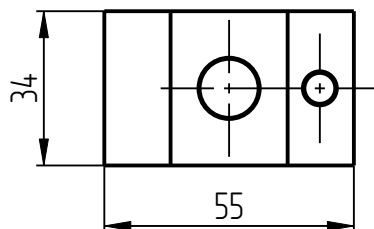




1. Golder  
MT-401-002-011-01



2. Holding plate  
MT-401-002-011-02



3. Plate  
MT-401-002-011-03