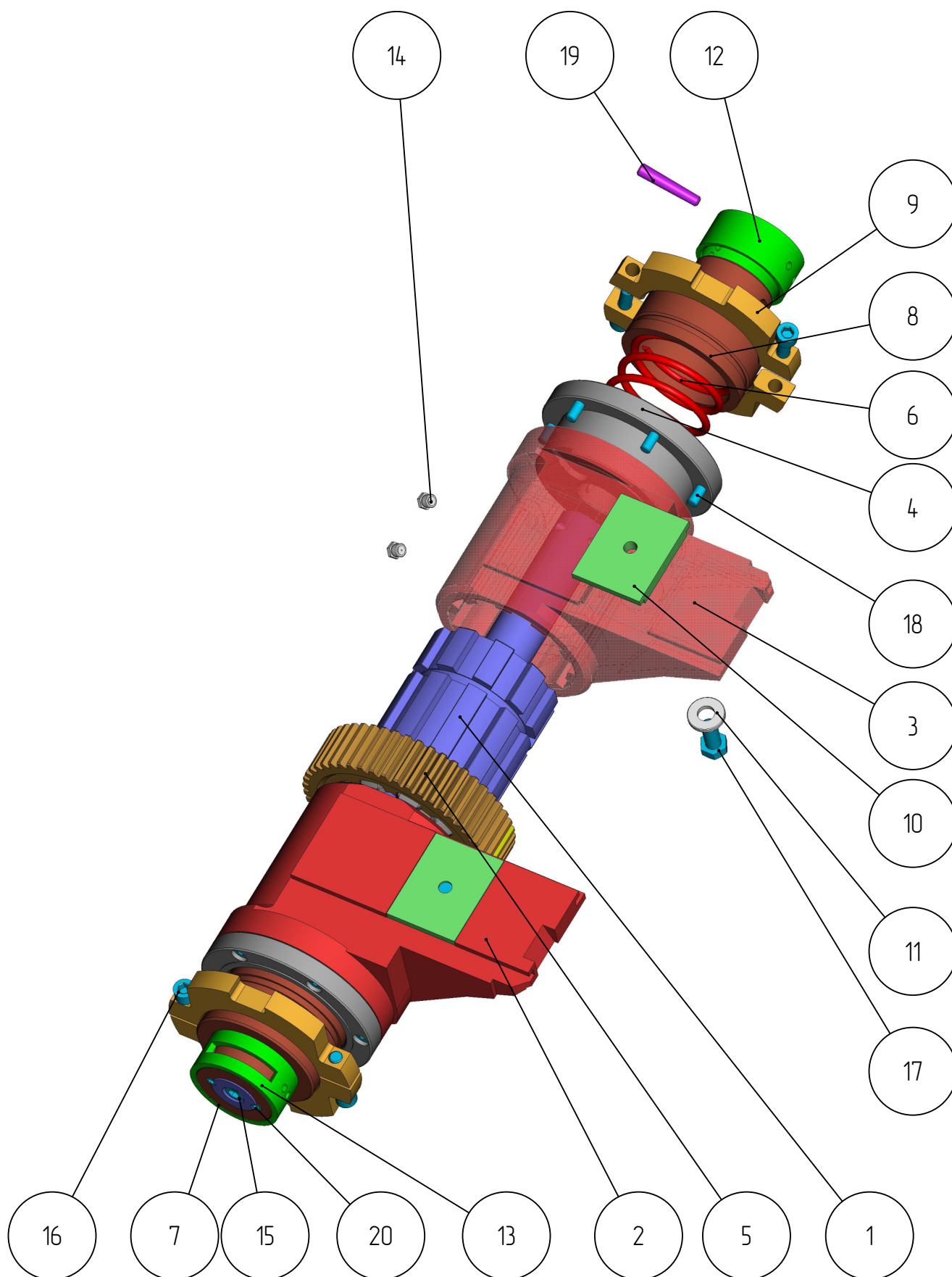


401

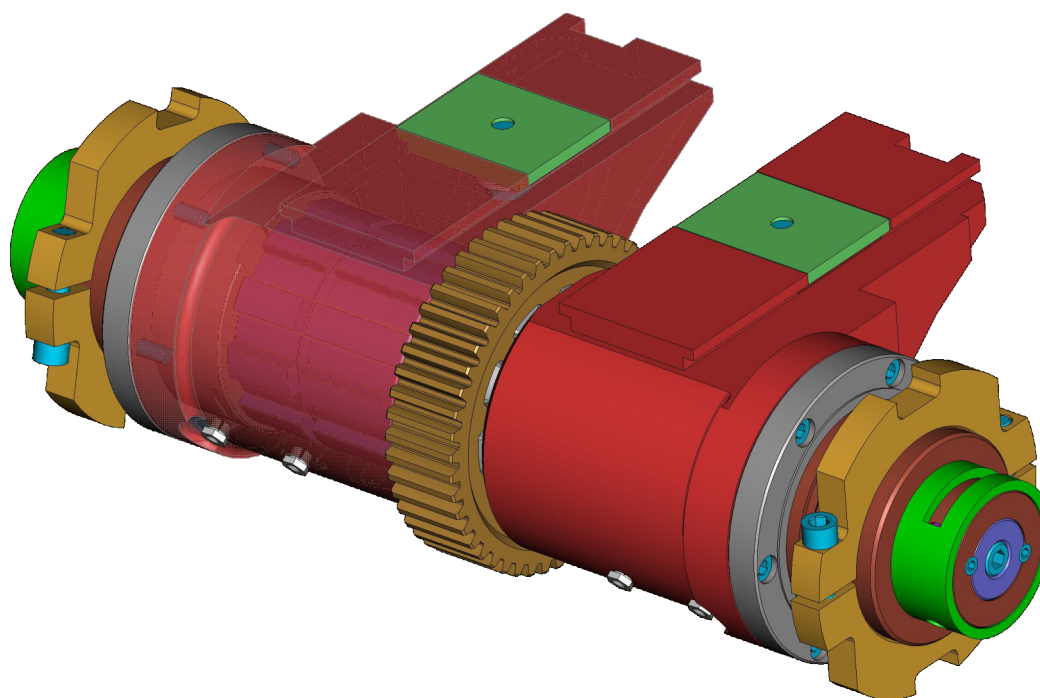
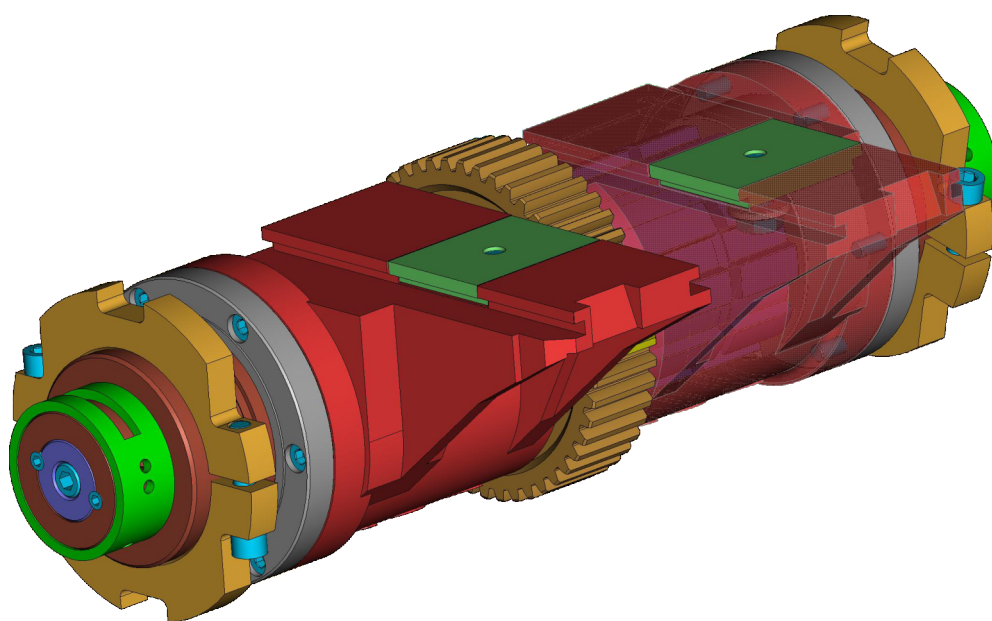
NECK RING MECHANISM
MT-401-001 (191-D-5149)

Neck ring mechanism
MT-401-001



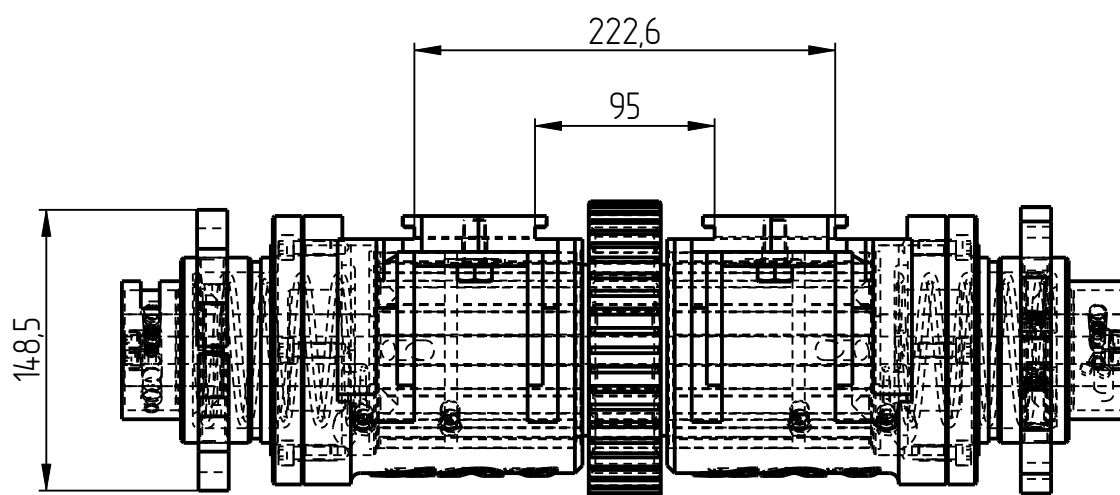
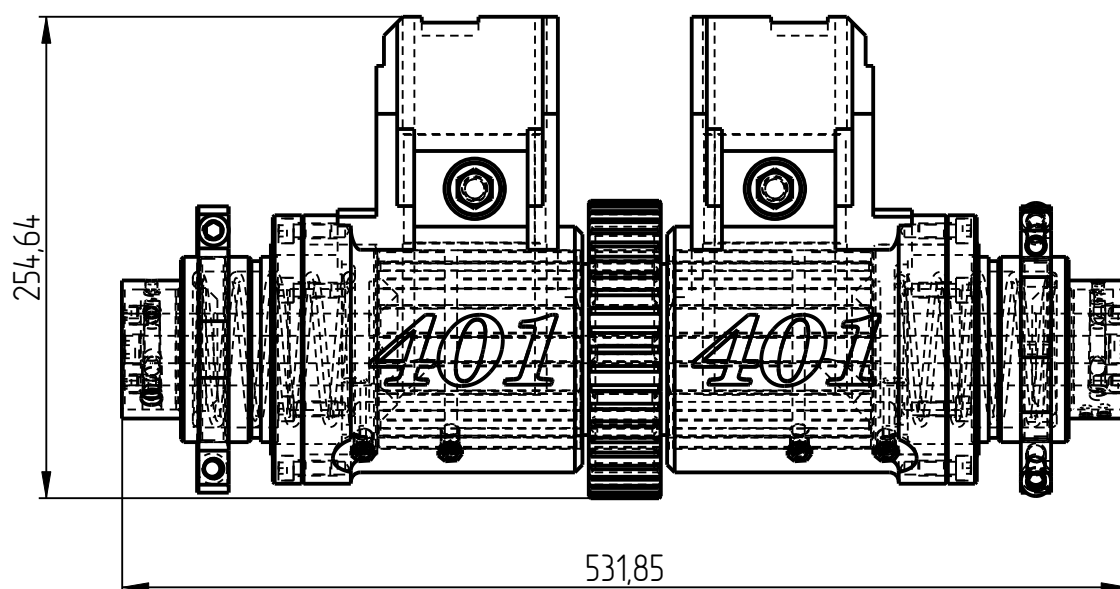
Neck ring mechanism

MT-401-001



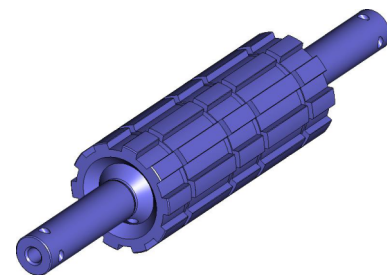
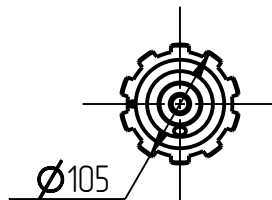
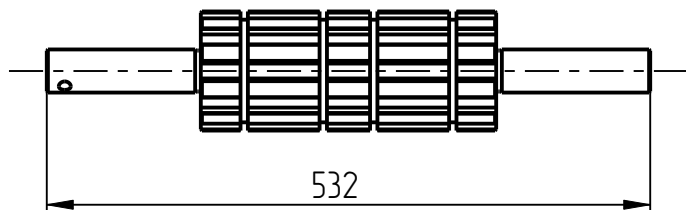
Neck ring mechanism

MT-401-001

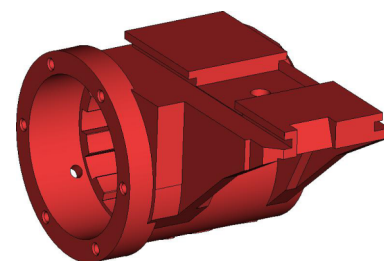
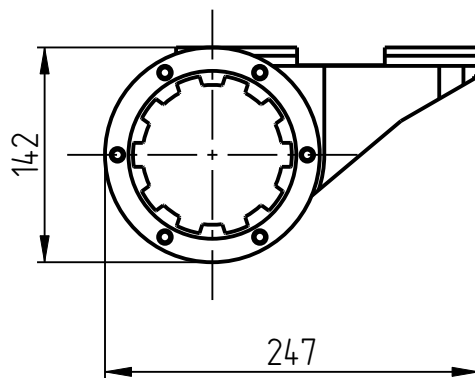
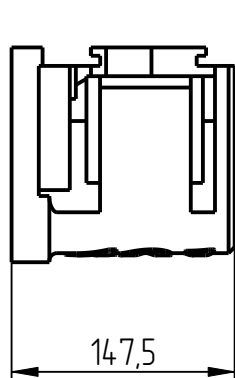


Neck ring mechanism MT-401-001 Specification

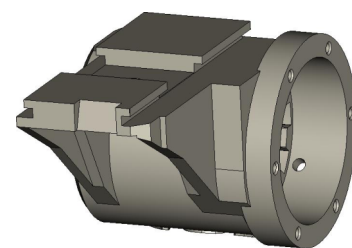
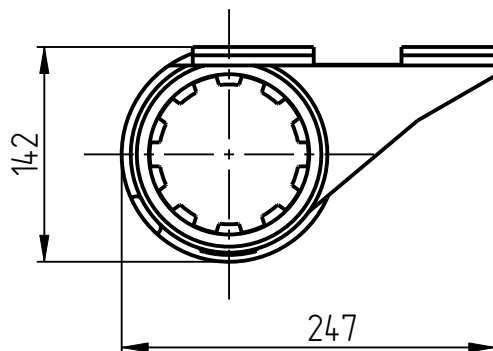
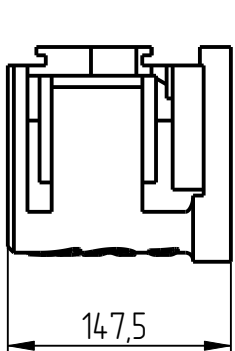
№ pos.	Code	Name	Qty
Parts			
1	MT-401-001-001	Spline shaft	1
2	MT-401-001-002	Cylinder LH	1
3	MT-401-001-002-01	Cylinder RH	1
4	MT-401-001-003	Flange	2
5	MT-401-001-004	Gear	1
6	MT-401-001-005	Spring	2
7	MT-401-001-006	Cylinder head LH	1
8	MT-401-001-007	Cylinder head RH	1
9	MT-401-001-008-01	Nut	1
10	MT-401-001-009	Holding plate	2
11	MT-401-001-010	Washer	2
12	MT-401-001-011	End cap	1
13	MT-401-001-012	End cap	1
Standard parts			
14	Lube nipple M10x1 DIN_3405		4
15	Threaded plug MK16x1,5 DIN 906		2
16	Screw M10x50 DIN 912		4
17	Hexagon head screw M12x25 DIN 933		2
18	Screw M8x20 DIN 912		12
19	Pin 8x50 DIN 1		2
20	Screw M10x10 DIN 913		4



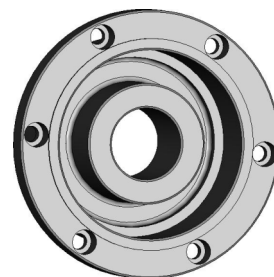
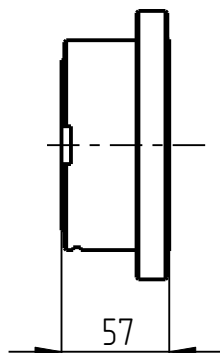
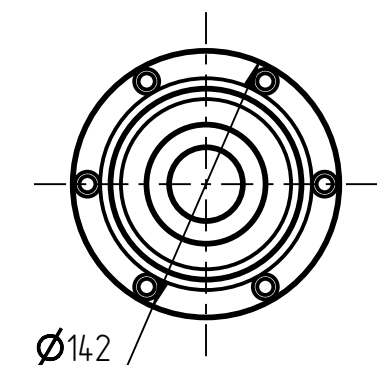
1. Spline shaft
MT-401-001-001



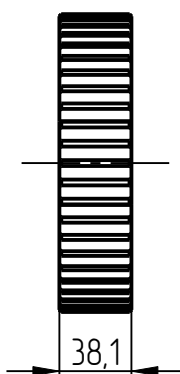
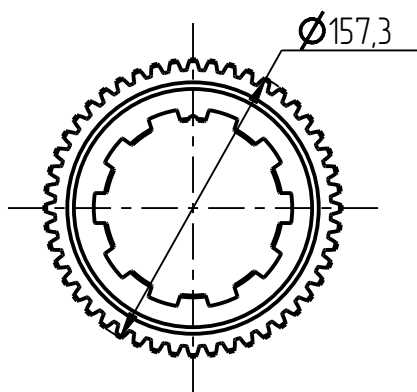
2. Cylinder LH
MT-401-001-002



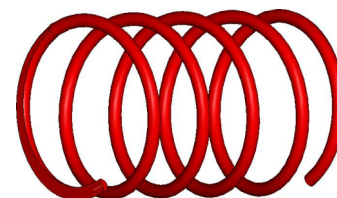
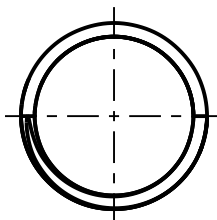
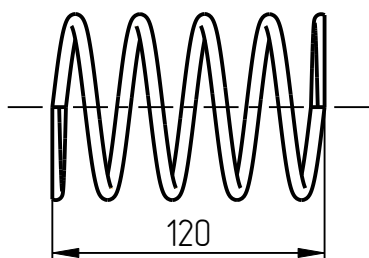
3. Cylinder RH
MT-401-001-002-01



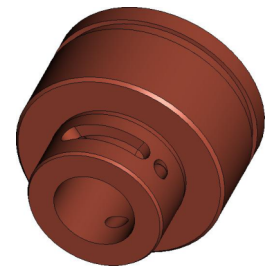
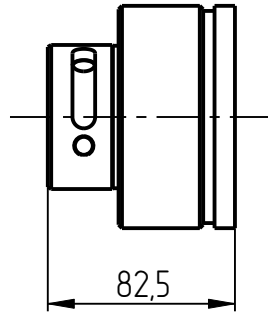
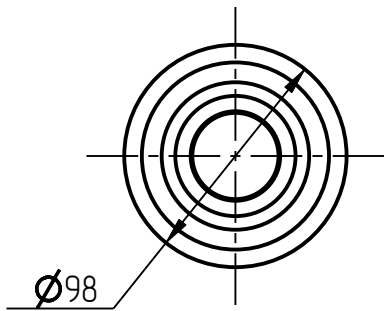
4. Flange
MT-401-001-003



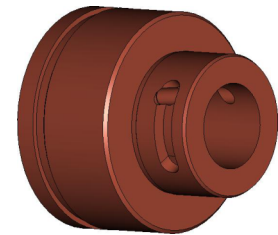
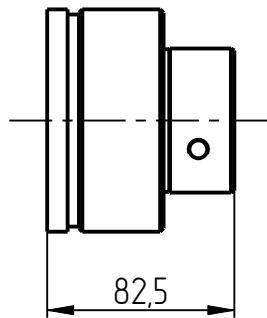
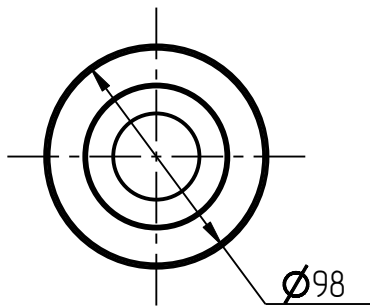
5. Gear
MT-401-001-004



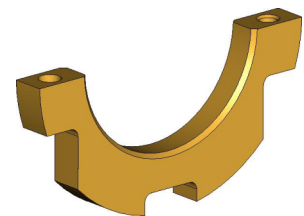
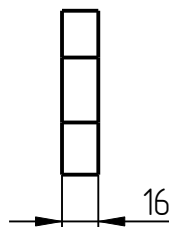
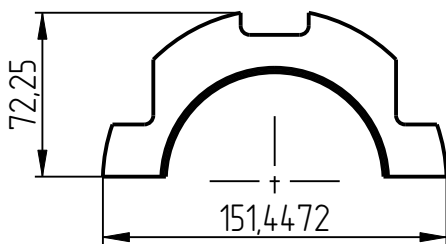
6. Spring
MT-401-001-005



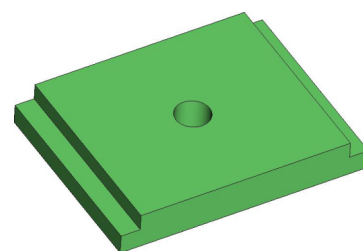
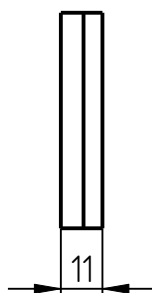
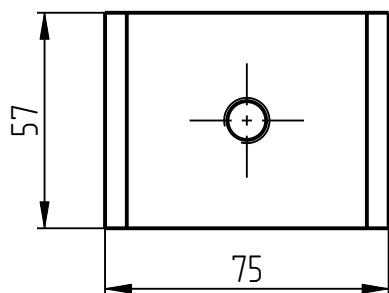
7. Cylinder head LH
MT-401-001-006



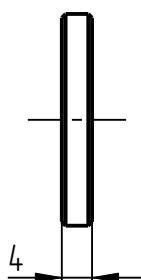
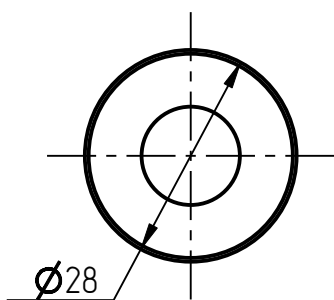
8. Cylinder head RH
MT-401-001-007



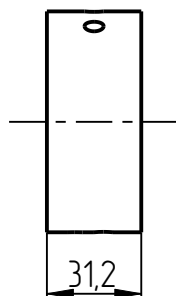
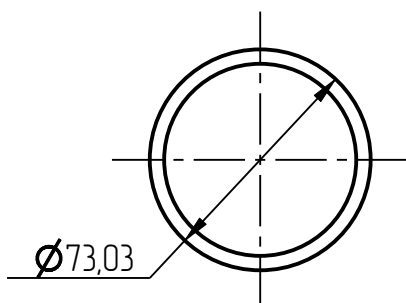
9. Nut
MT-401-001-008-01



10. Holding plate
MT-401-001-009

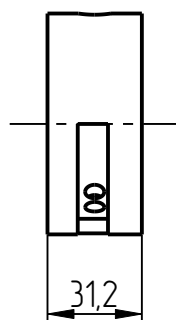
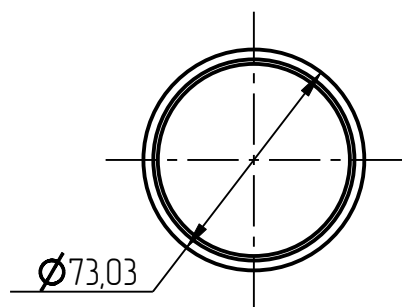


11. Washer
MT-401-001-010



12. End cap
MT-401-001-011

401



13. End cap
MT-401-001-012