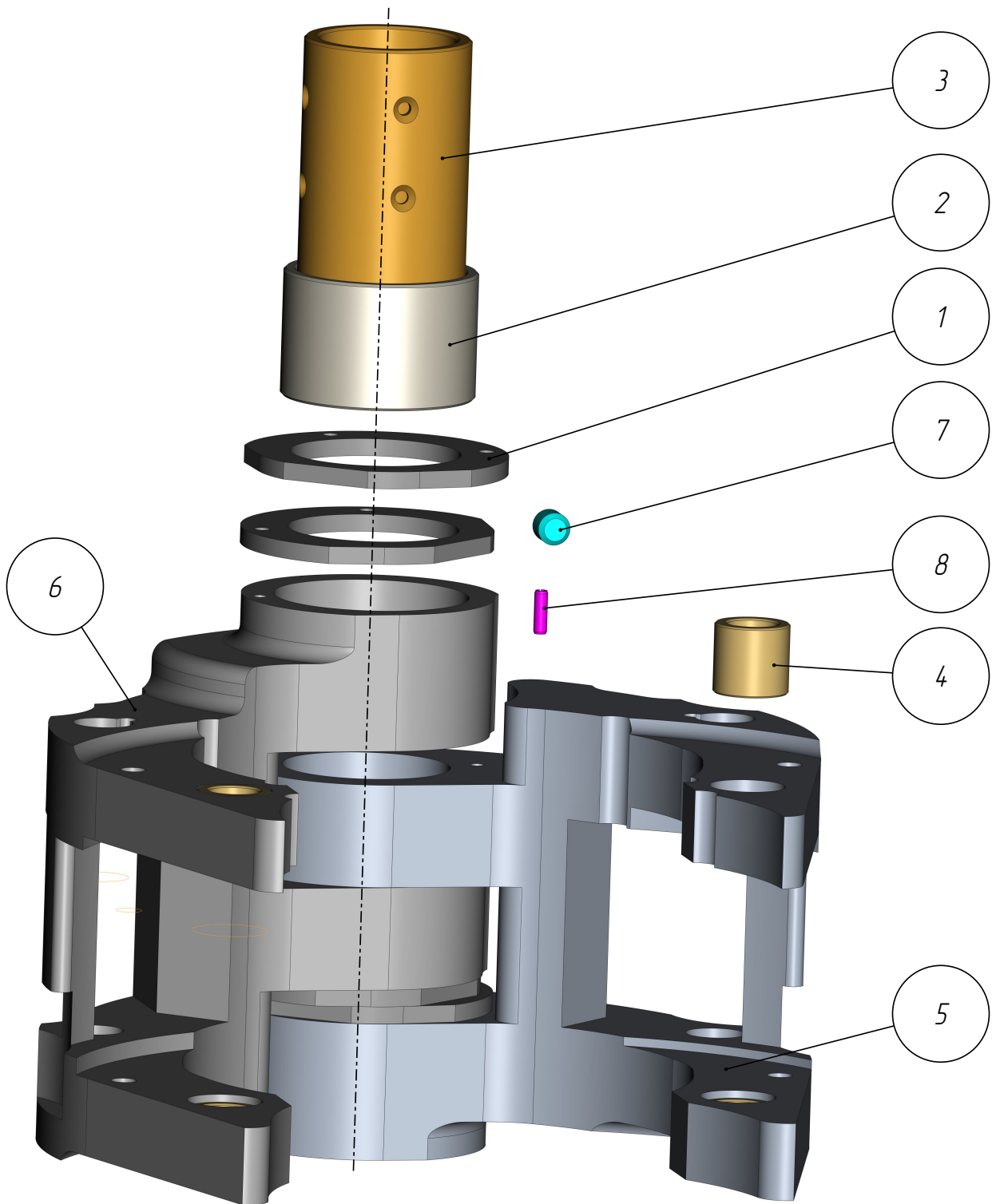


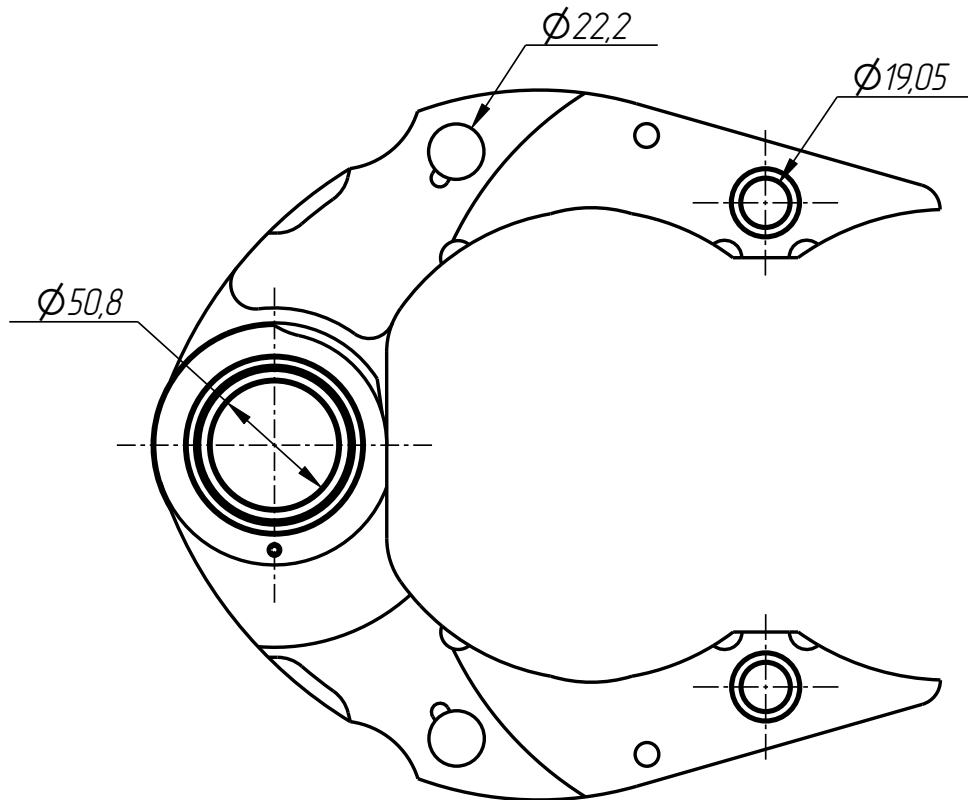
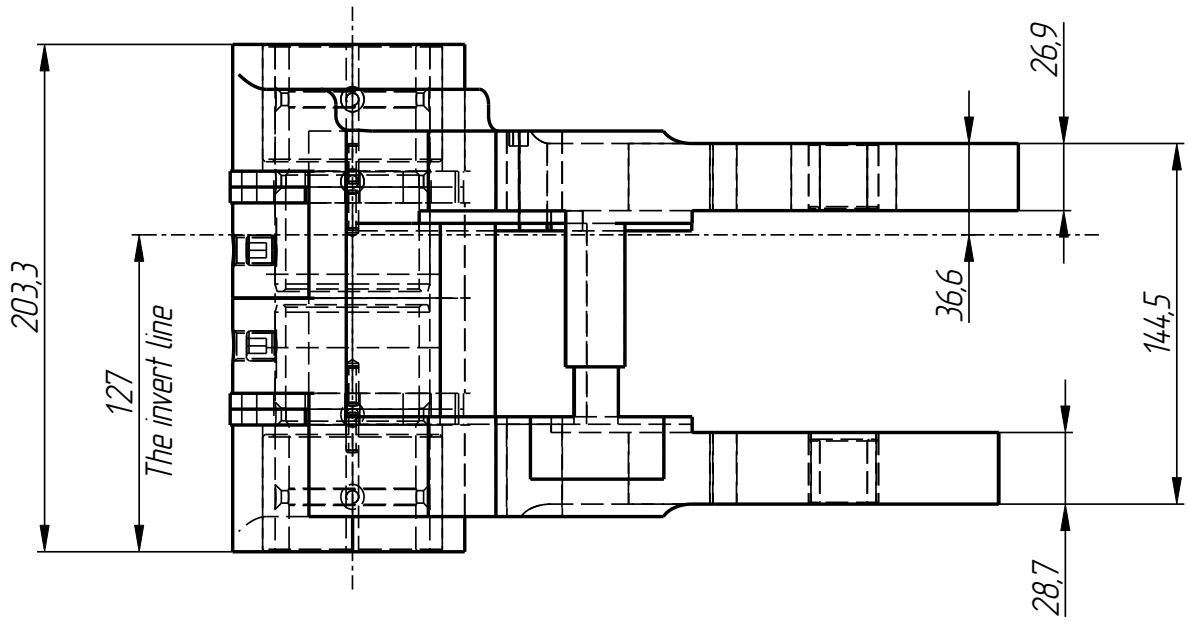
401

DF-401-002

*Mould Holder
(23-1017GRI)*



DF-401-002



Mould Holder
(23-1017GRI)
DF-401-002

401

DF-401-002

Mould Holder
(23-1017GRI)

Specification

<i>Nº pos.</i>	<i>Code</i>	<i>Name</i>	<i>Qty</i>
----------------	-------------	-------------	------------

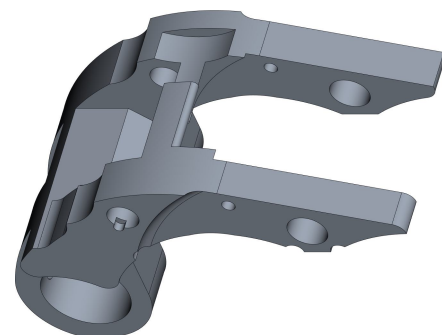
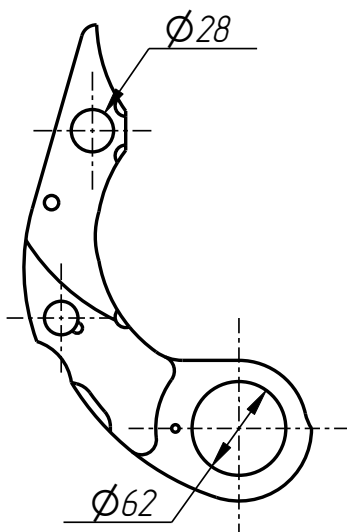
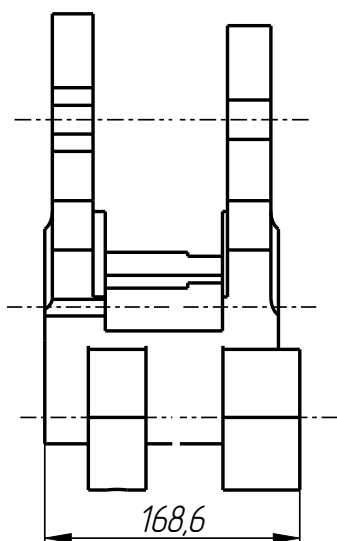
Parts:

1	DF-401-001-003	Remote washer	4
2	DF-401-001-004	Bushing	2
3	DF-401-001-005	Bushing	2
4	DF-401-001-006	Bushing	4
5	DF-401-002-001	Lower lever	1
6	DF-401-002-002	Upper lever	1

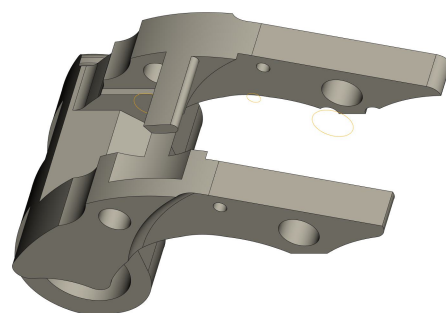
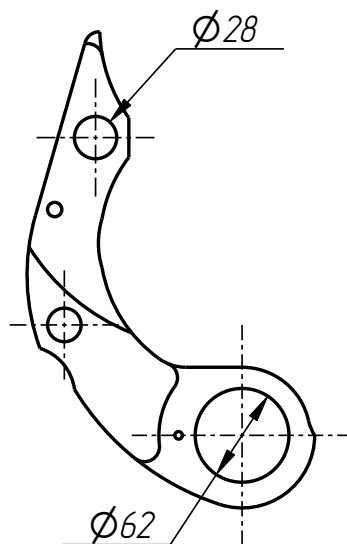
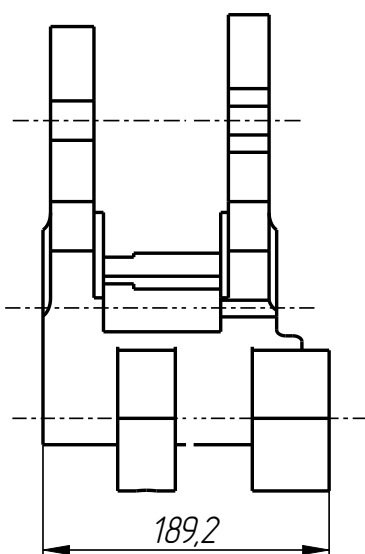
Standard parts:

7	Screw M12x12 GOST 11074-93		2
8	Spring pin ϕ 5x16 DIN 1481		4

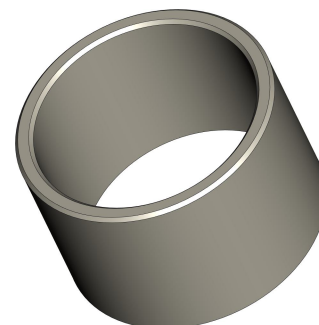
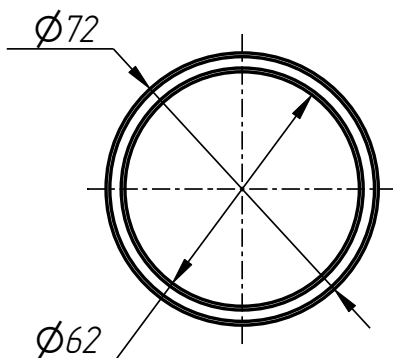
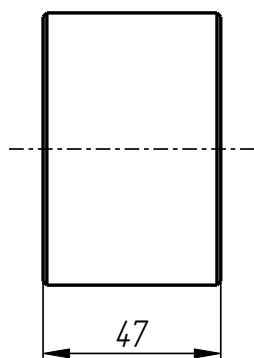
DF-401-002



Lower lever
DF-401-002-001

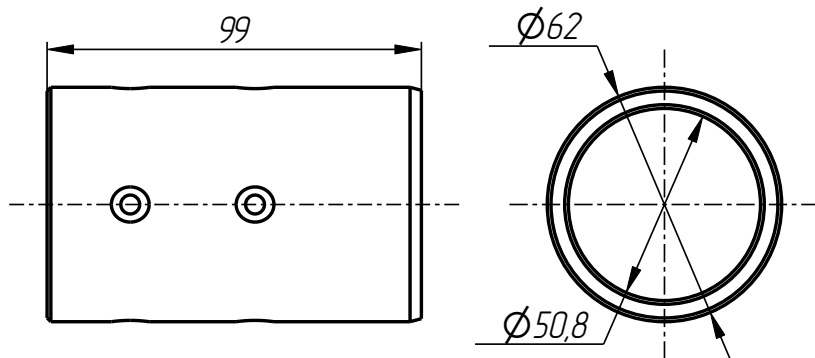


Upper lever
DF-401-002-002

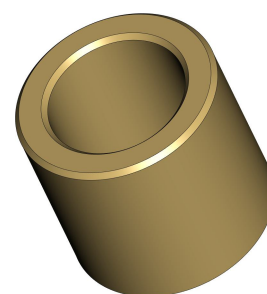
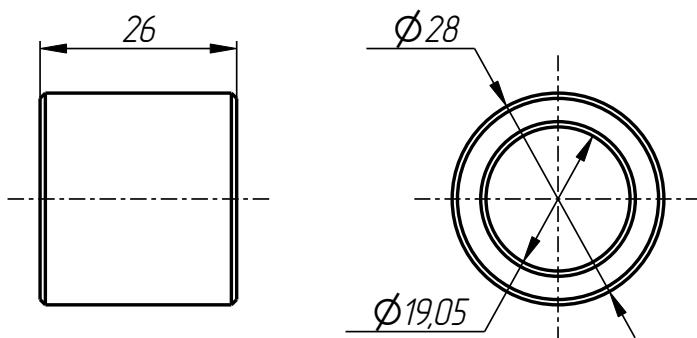


Bushing
DF-401-001-004

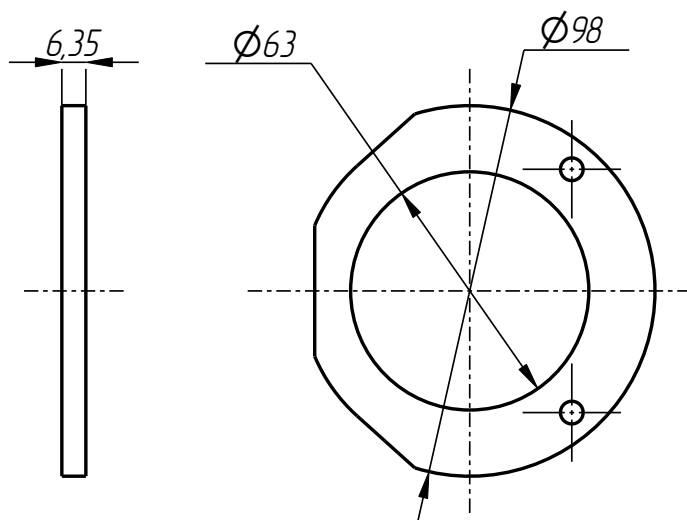
DF-401-002



Bushing
DF-401-001-005



Bushing
DF-401-001-006



Remote washer
DF-401-001-003