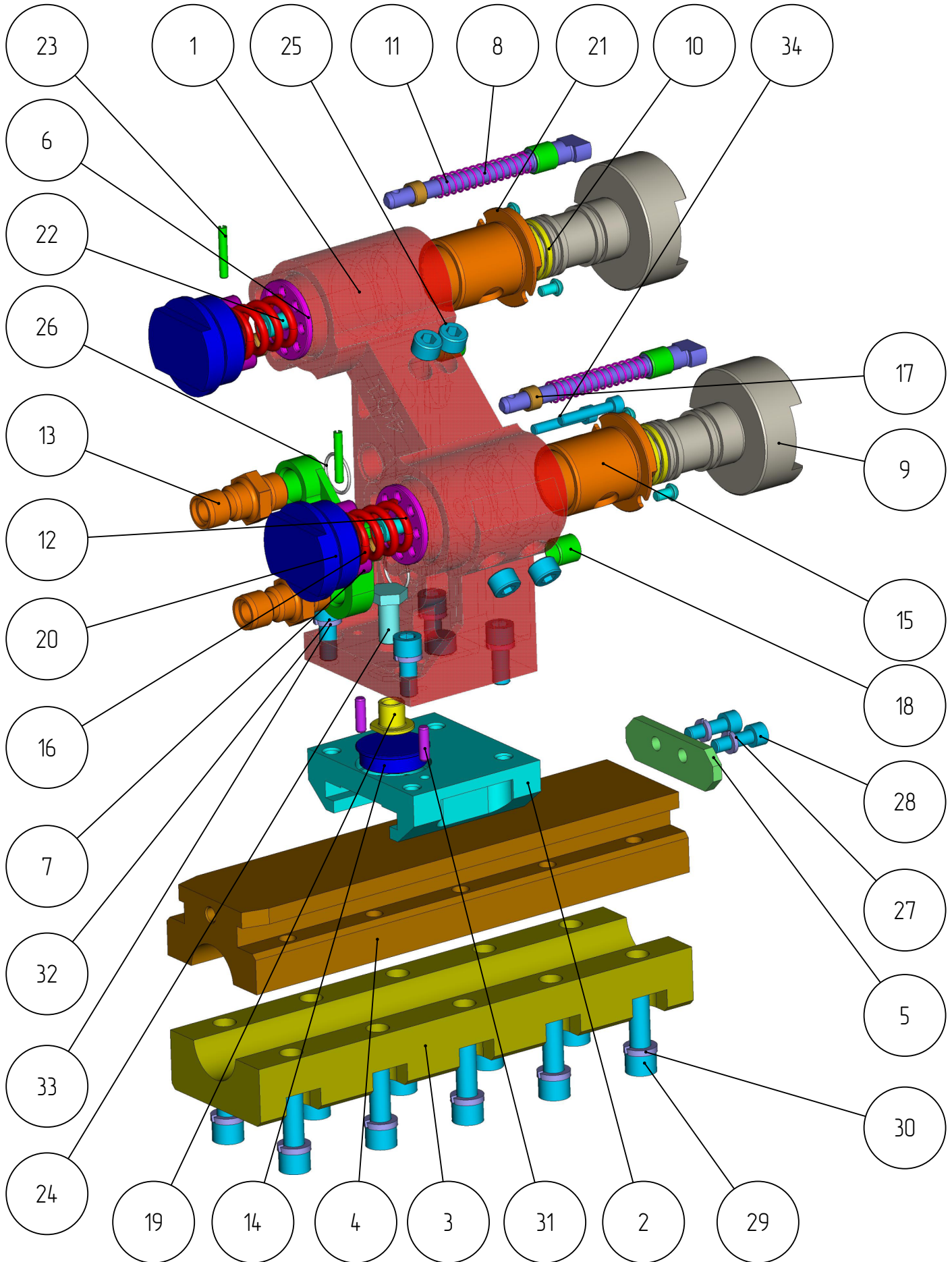


401

*KDG-401-005*  
*BLOW HEAD HOLDER (5-1/2")*  
*(L5-12-139-7)*

Blow head holder  
KDG-401-005

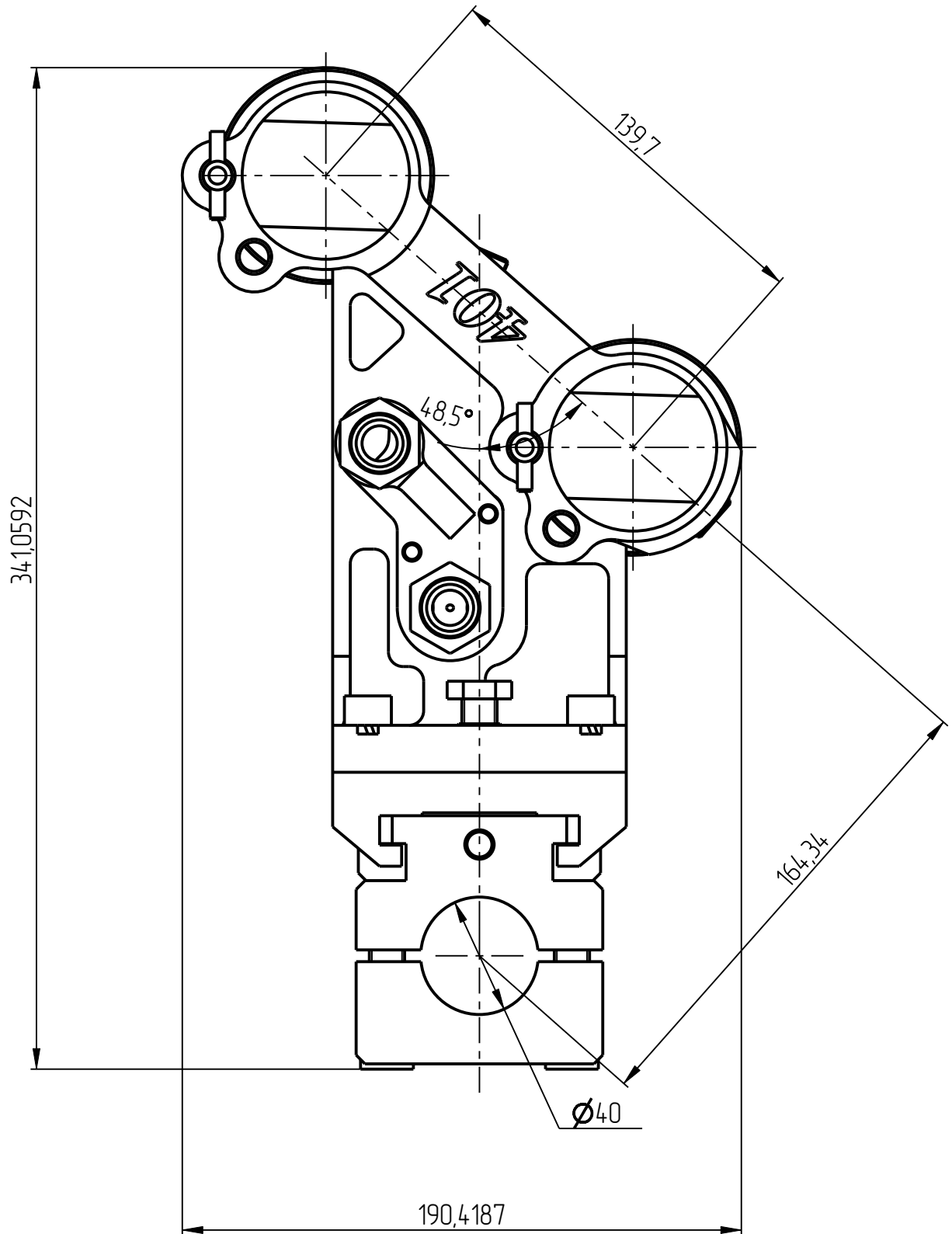
401



Blow head holder

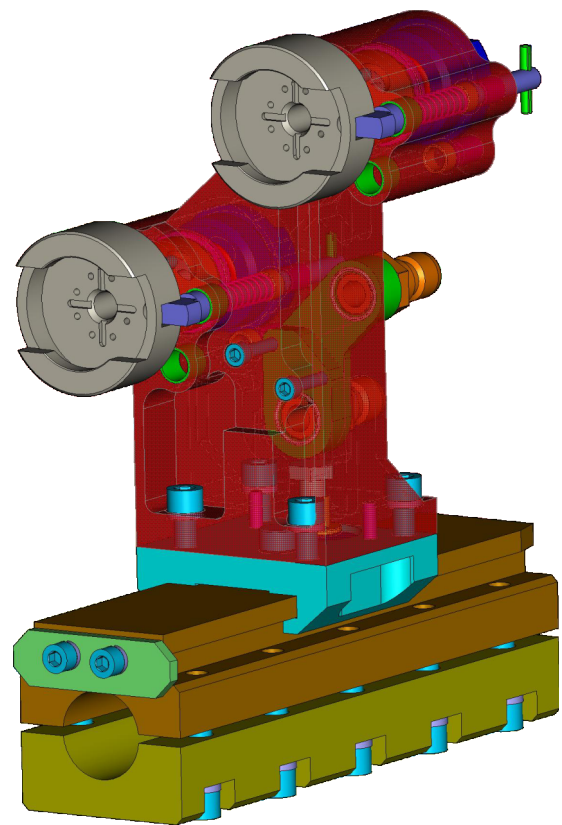
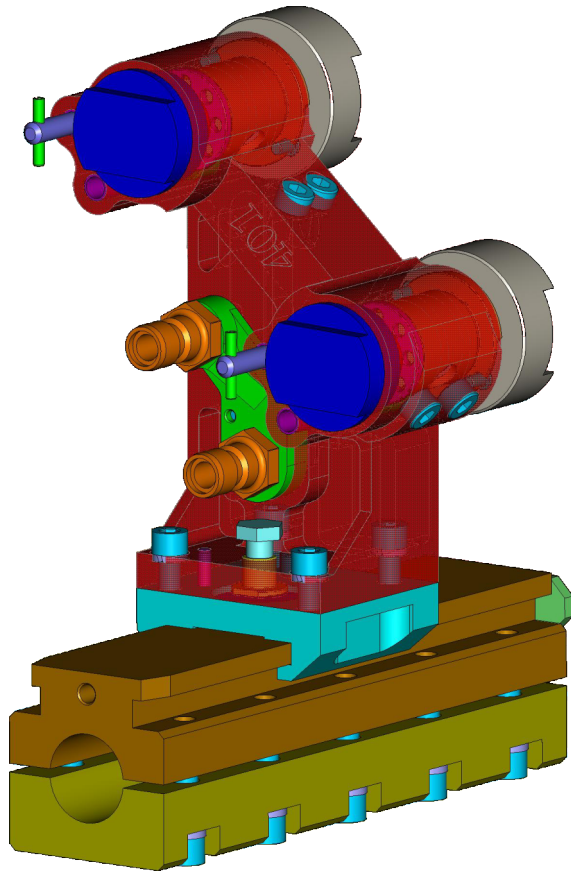
KDG-401-005

401



Blow head holder  
KDG-401-005

401

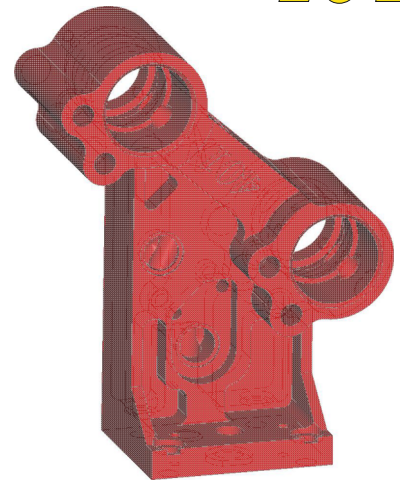
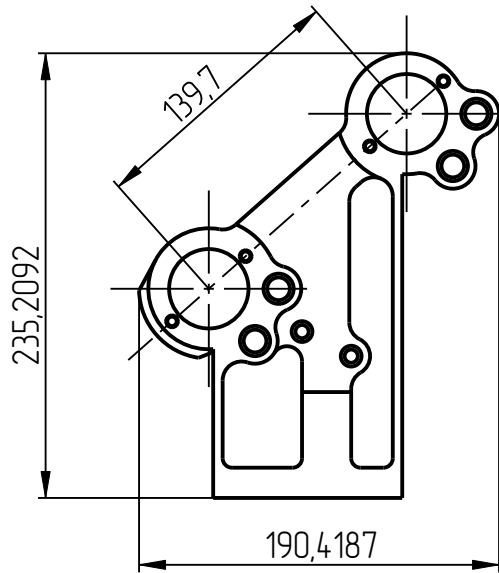


# KDG-401-005 Blow head holder (5-1/2") Specification

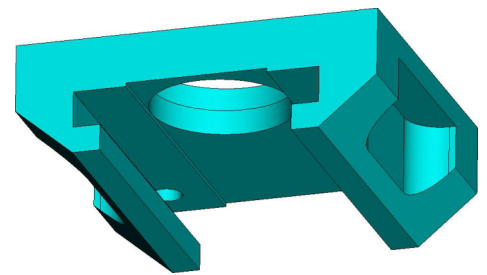
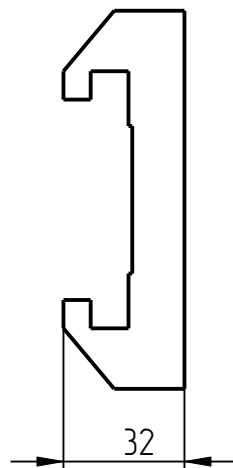
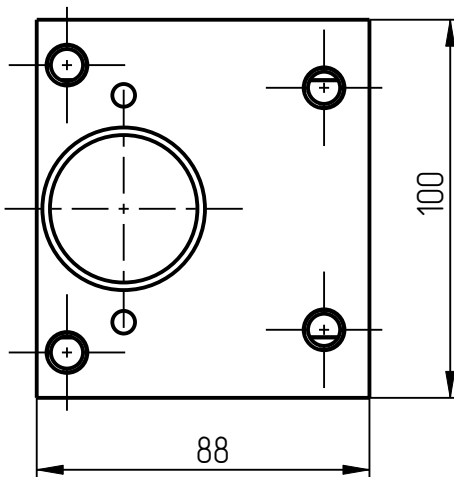
# 401

№ pos.	Code	Name	Qty
<b>Parts</b>			
1	KDG-401-005-001	Main body	1
2	KDG-401-005-002	Support	1
3	KDG-401-005-003	Camper	1
4	KDG-401-005-004	Clamper	1
5	KDG-401-005-005	Stop	1
<b>Unified parts</b>			
6	KDG-D-U-46X4-401	Washer	2
7	KDG-DSH-01-401	Connector holder	1
8	KDG-F-401	Position pin	2
9	KDG-G2-401	Piston thread type	2
10	KDG-K-P-401	Piston ring	4
11	KDG-P-13X62-401	Spring	2
12	KDG-P-30X35-401	Spring	2
13	KDG-SHT-G1_2-401	Connector male	2
14	KDG-SHU-401	Washer	1
15	KDG-V1-401	Bushing	2
16	KDG-V2-401	Bushing	4
17	KDG-V3-401	Bushing	4
18	KDG-V4-401	Bushing	4
19	KDG-V6-401	Bushing	1
20	KDG-Z-2D-8N-401	Retainer 2"- 8	2
<b>Standard parts</b>			
21	Screw M6x10 DIN 7380		4
22	Screw 3/8-16x3/4UNC DIN 912		2
23	Spring pin 5x30 DIN 1481		2
24	Hexagon head screw M12x25 DIN 933		1
25	Threaded plug R3/8-19 DIN 906		5
26	O-ring 021-024-19 GOST 18829-73		2
27	Spring washer M8 DIN 127		2
28	Screw M8x25 DIN 912		2
29	Screw M12x45 DIN 912		10
30	Spring washer 12T DIN 127		10
31	Pin 6Γx20 DIN 6325		2
32	Screw M10x25 DIN 912		4
33	Spring washer 10T DIN 127		4
34	Screw M6x35 DIN 912		2

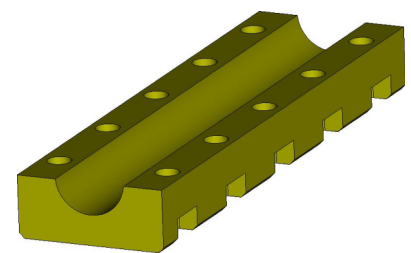
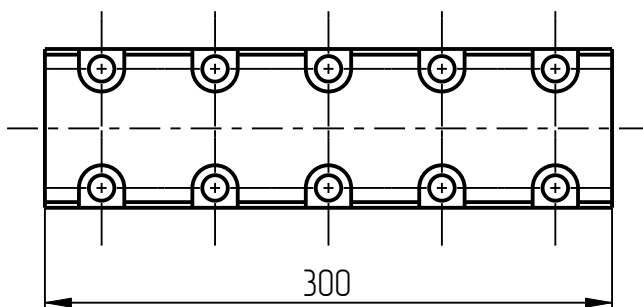
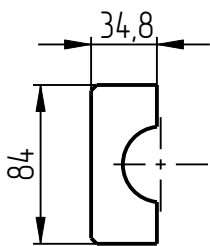
401



1. Main body  
KDG-401-005-001

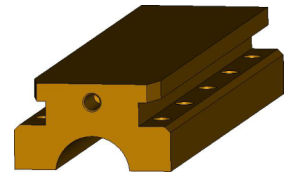
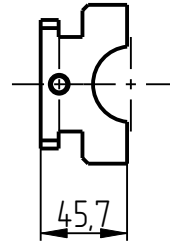
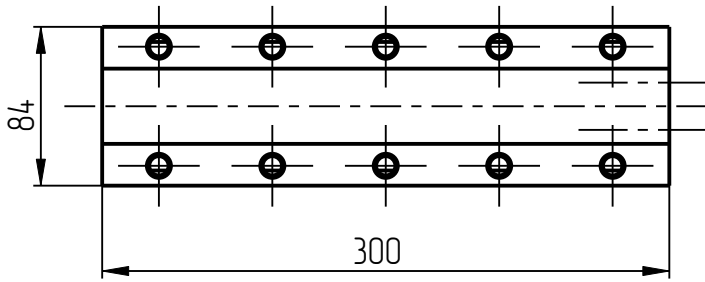


2. Support  
KDG-401-005-002

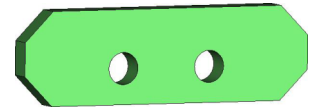
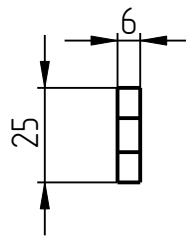
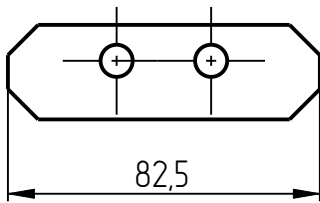


3. Clamber  
KDG-401-005-003

401



4. Clamper  
KDG-401-005-004



5. Stop  
KDG-401-005-005