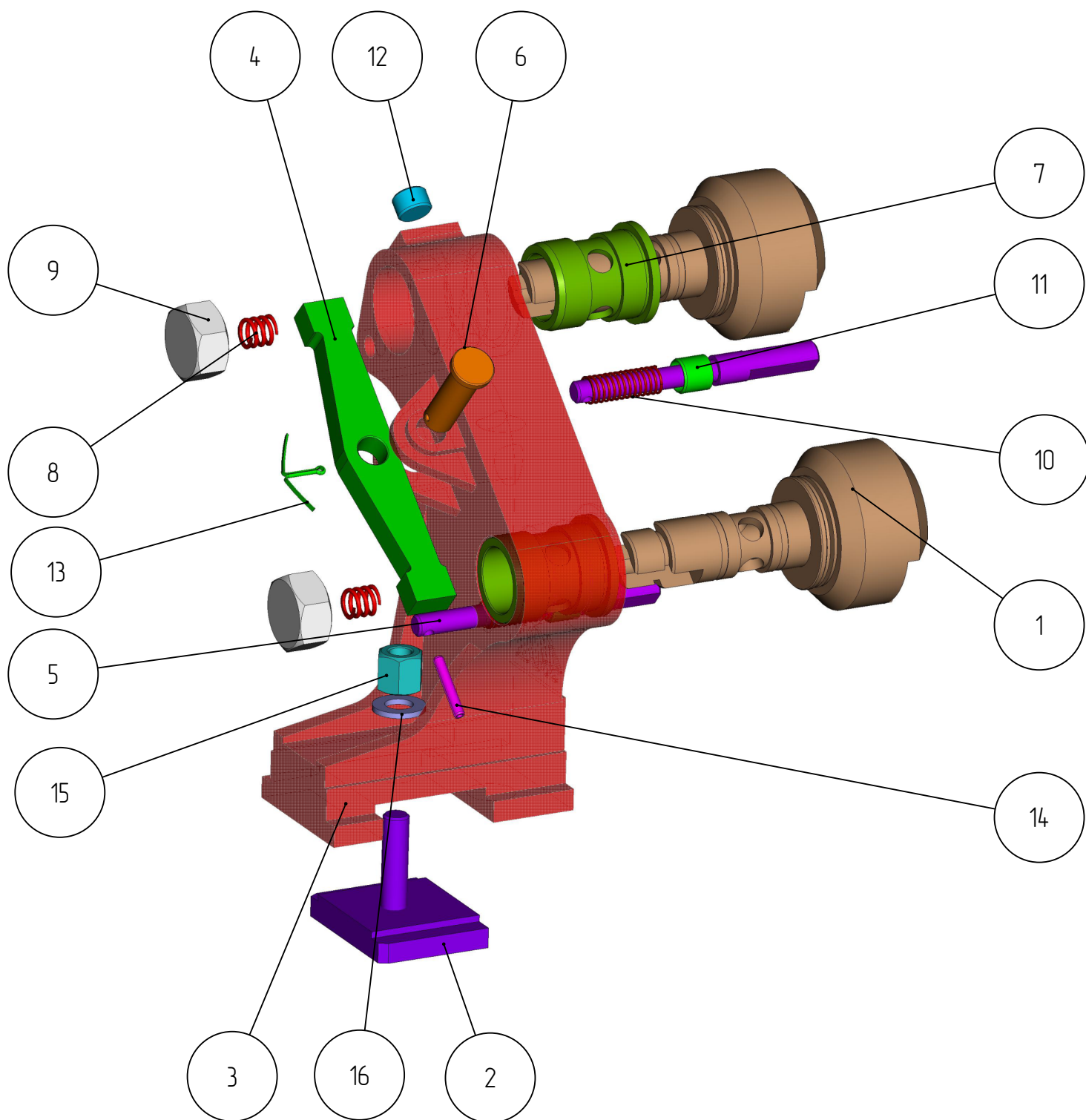


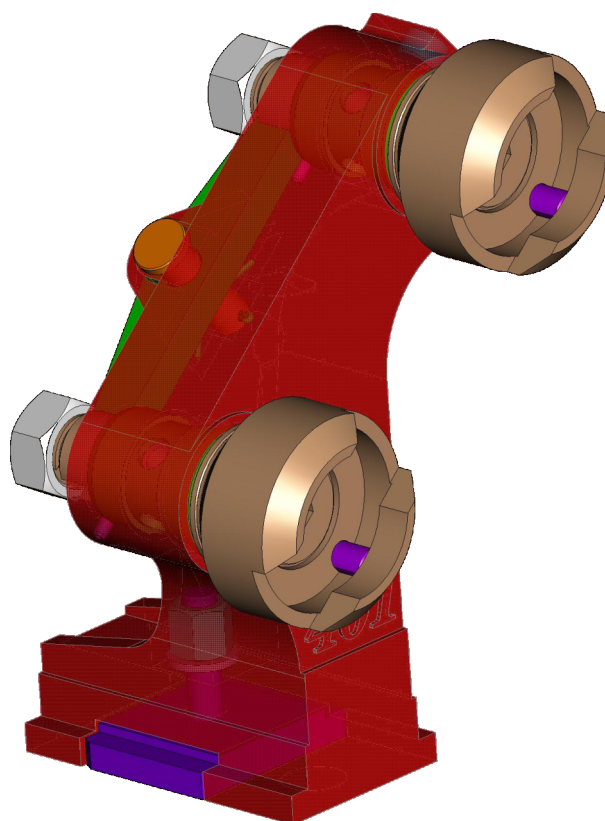
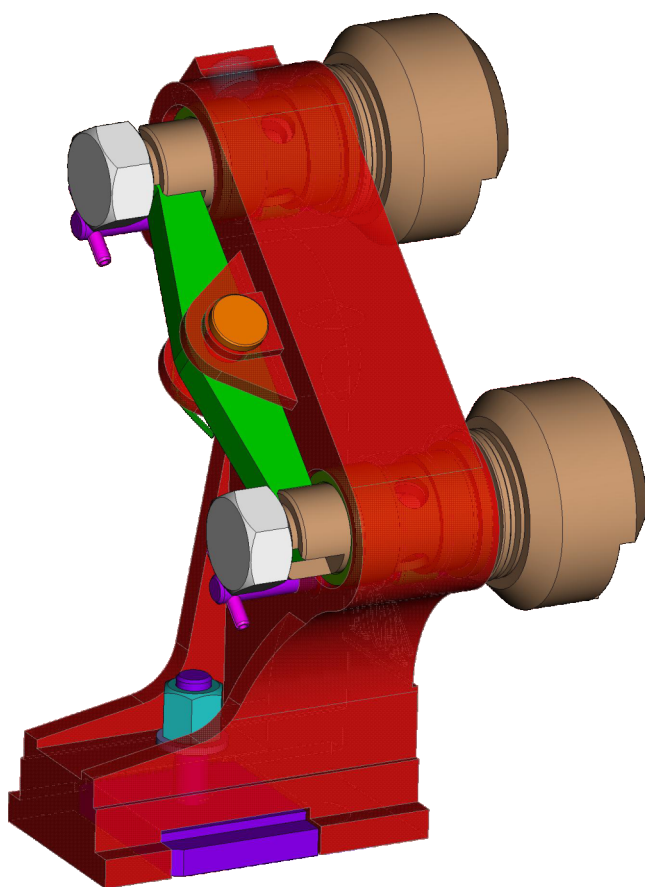
401

*DPG-401-001*  
*BAFFLE HOLDER 5-1/2"*  
*(23-1435-2)*

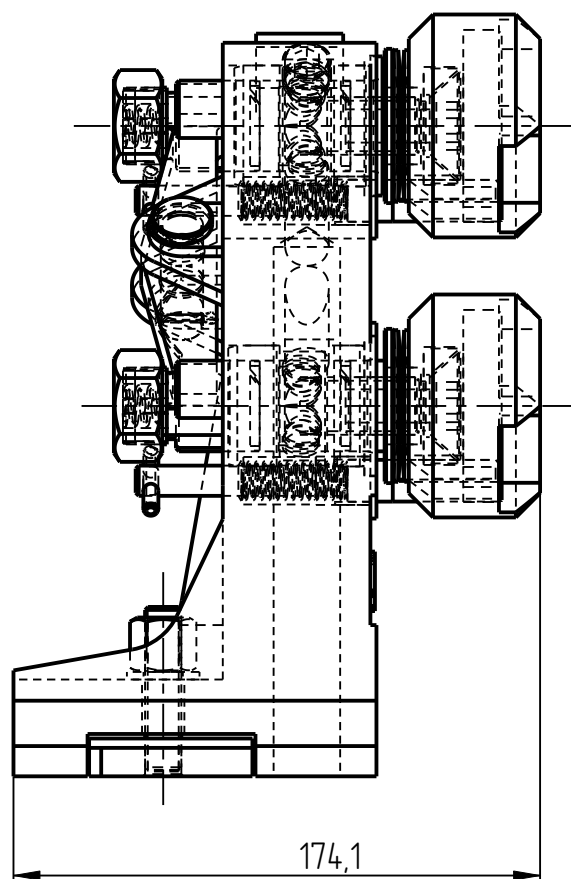
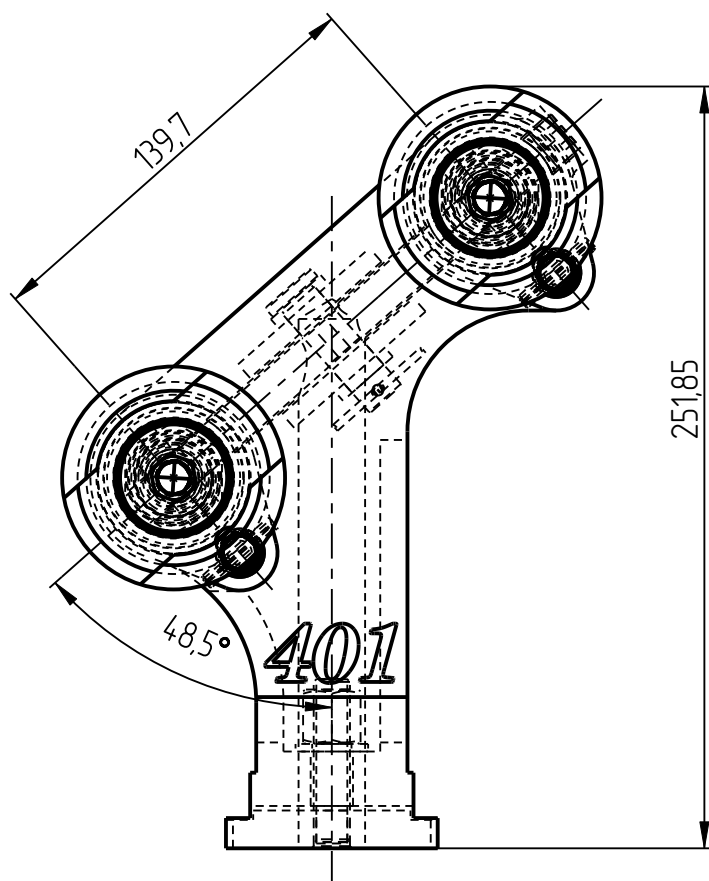
Baffle holder DPG-401-001



Baffle holder DPG-401-001

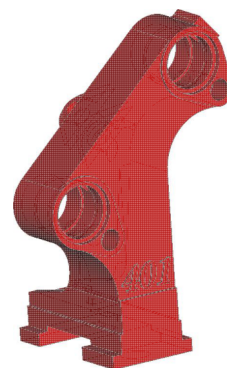
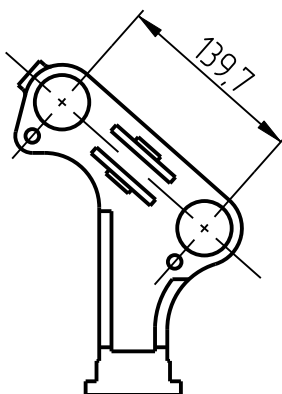
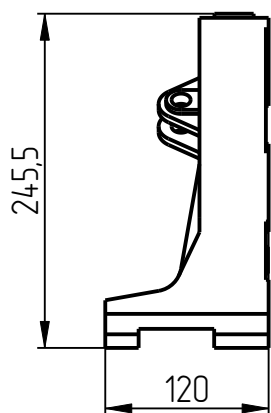


Baffle holder DPG-401-001

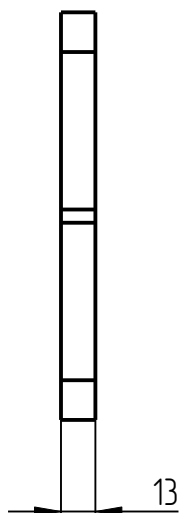
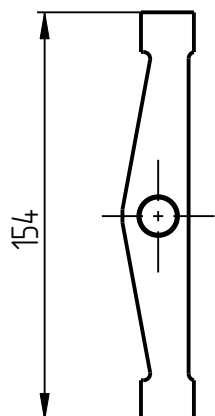


## Baffle holder DPG-401-001 Specification

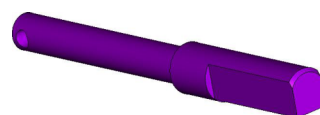
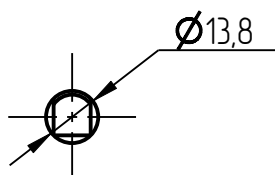
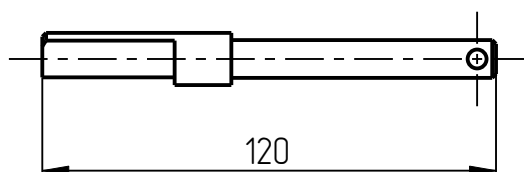
№ pos.	Code	Name	Qty
<b>Assemblies</b>			
1	DPG-401-001-003	Baffle lock ring	2
2	DPG-401-001-004	Holding plate	1
<b>Parts</b>			
3	DPG-401-001-001	Main body	1
4	DPG-401-001-002	Equalizer	1
5	DPG-401-001-005	Position pin	2
6	DPG-401-001-006	Bolt	1
7	DPG-401-001-007	Bushing	2
8	DPG-401-001-010	Spring	2
9	DPG-401-001-011	Cap	2
<b>Unified parts</b>			
10	KDG-P-13X62-401	Spring	2
11	KDG-V4-401	Bushing	2
<b>Standard parts</b>			
12	Threaded plug MK16x1,5 DIN 906		1
13	Split pin DIN 94 3x32		1
14	Spring Pin $\varnothing$ 5x30 DIN 1481		2
15	Nut M12 DIN 934		1
16	Washer 12 DIN 125		1



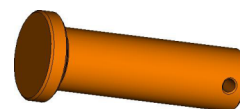
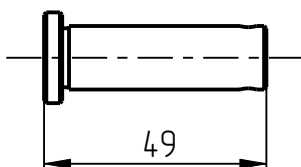
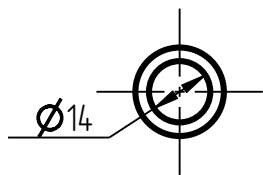
3. Main body  
DPG-401-001-001



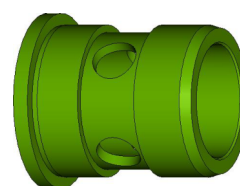
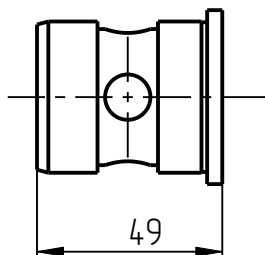
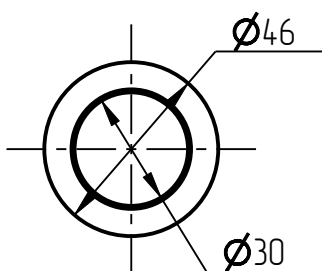
4. Equalizer  
DPG-401-001-002



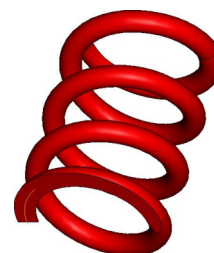
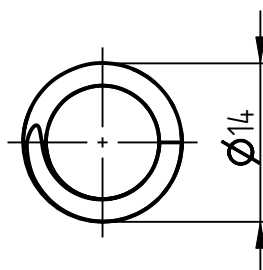
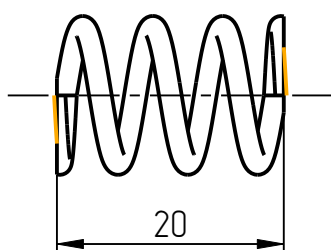
5. Position pin  
DPG-401-001-005



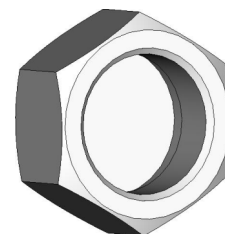
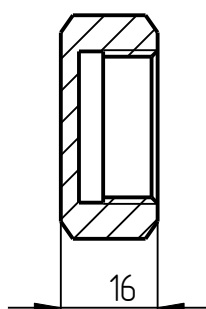
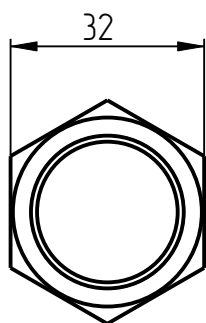
6. Bolt  
DPG-401-001-006



7. Bushing  
DPG-401-001-004

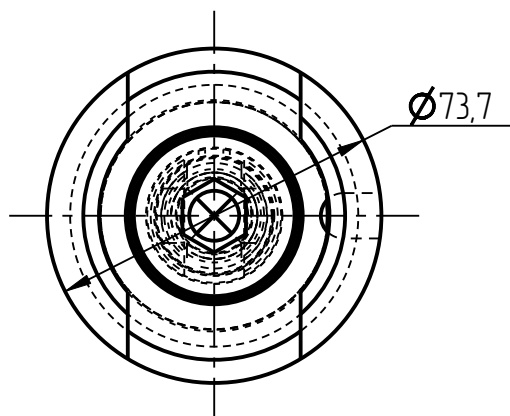
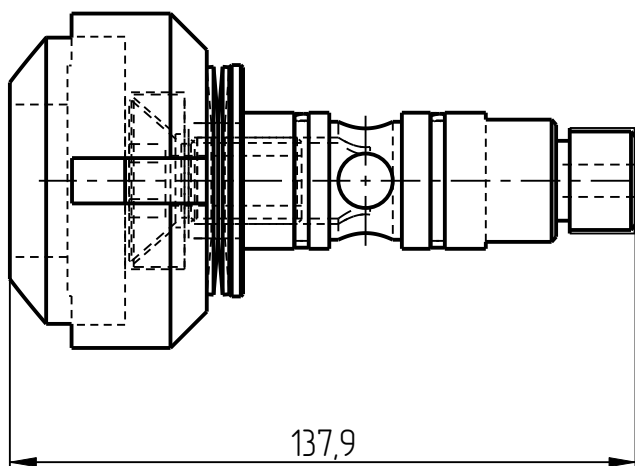
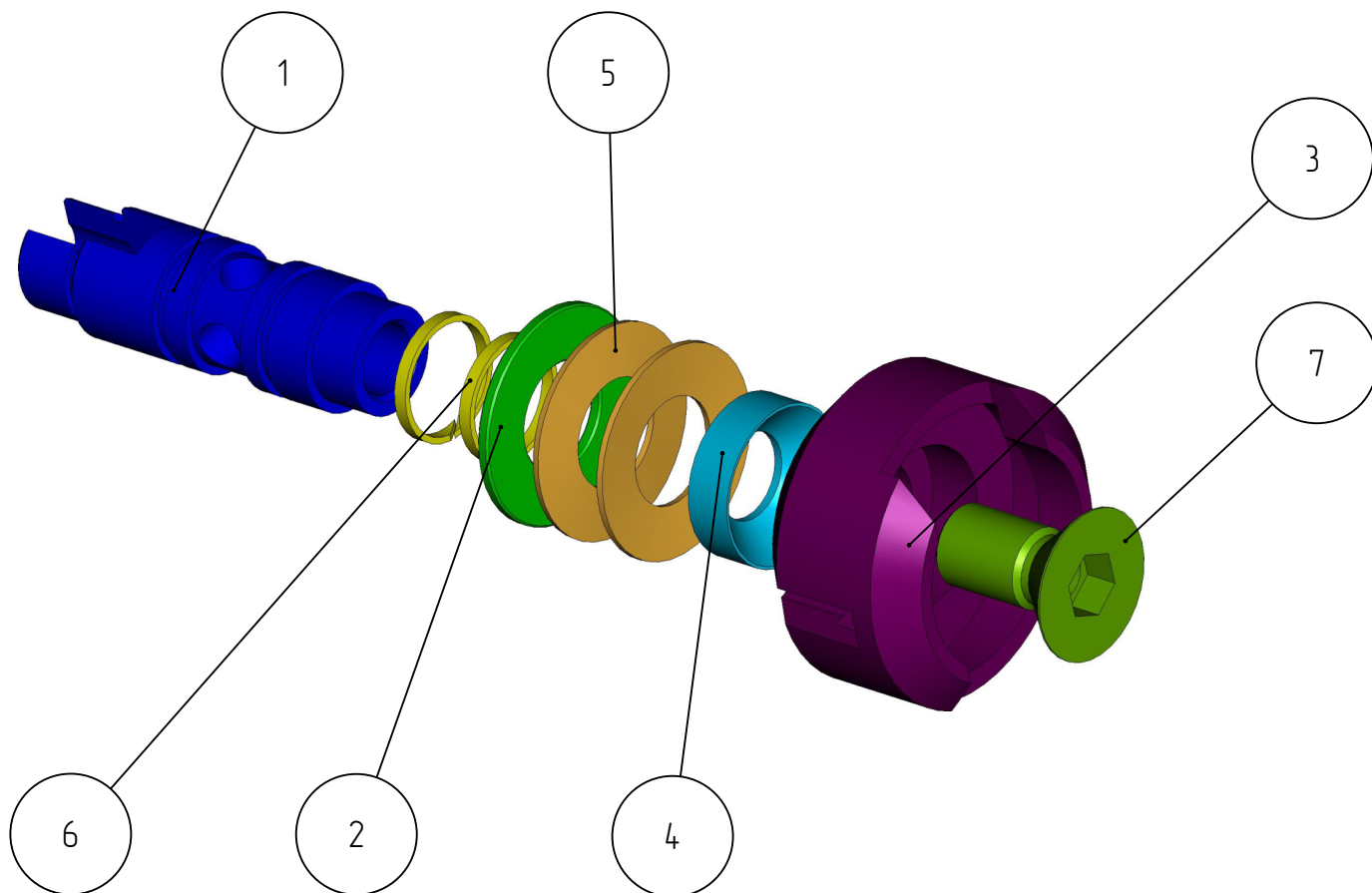


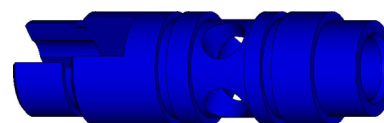
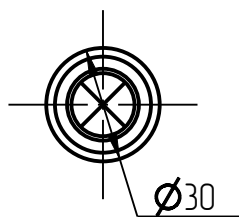
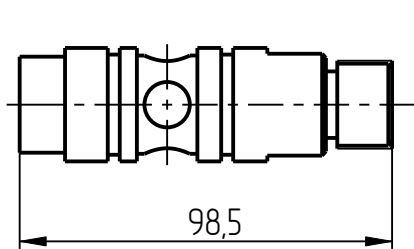
8. Spring  
DPG-401-001-010



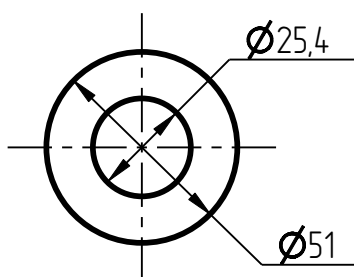
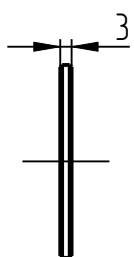
9. Cap  
DPG-401-001-011

## Assemblies

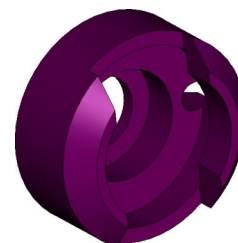
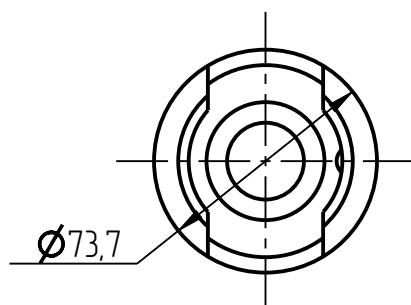
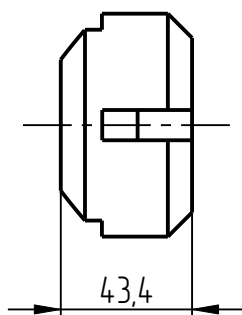
1. Baffle lock ring  
DPG-401-001-003



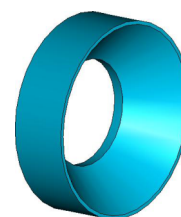
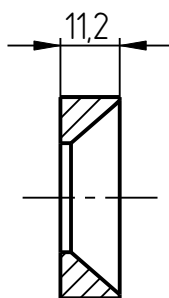
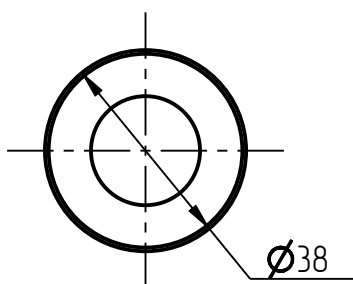
1. Retainer stud  
DPG-401-001-003-001



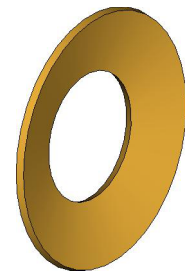
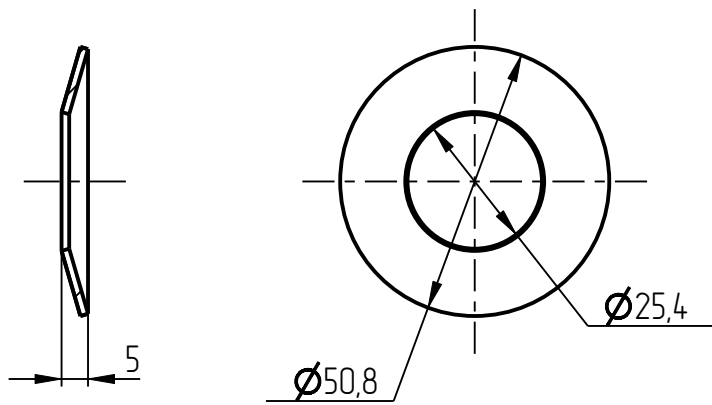
2. Washer  
DPG-401-001-003-002



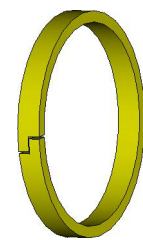
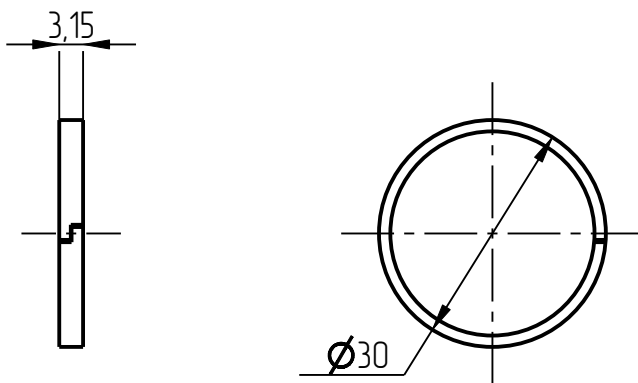
3. Lock ring  
DPG-401-001-003-003



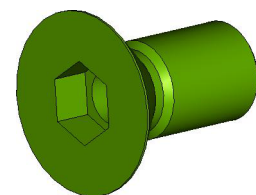
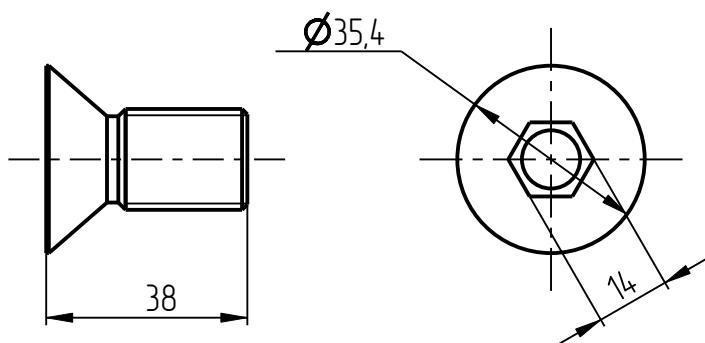
4. Washer  
DPG-401-001-003-004



5. Con. spring washer  
DPG-401-001-003-005

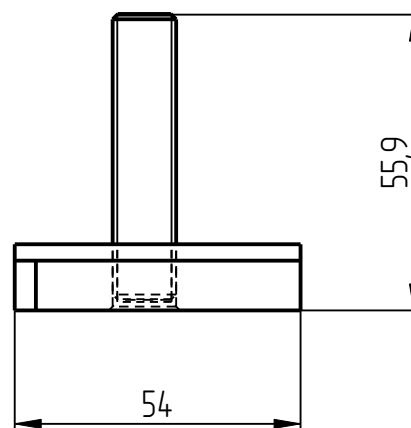
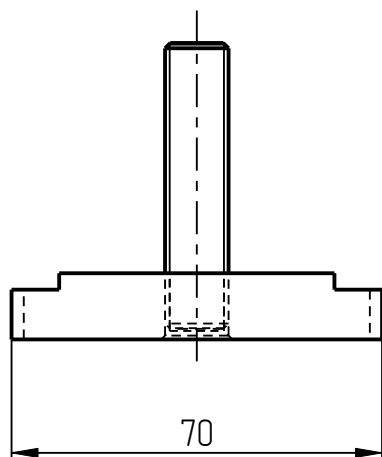
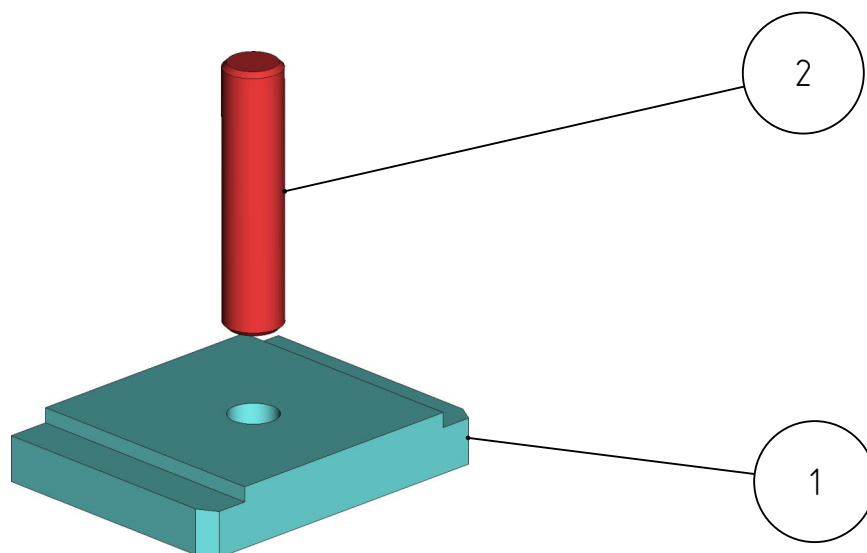


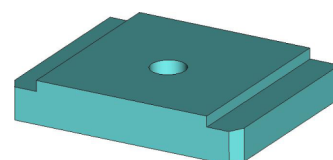
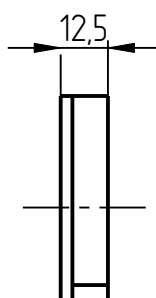
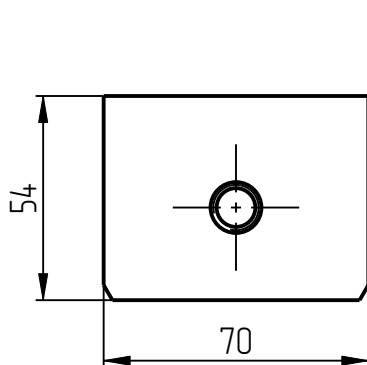
6. Piston ring  
DPG-401-001-003-006



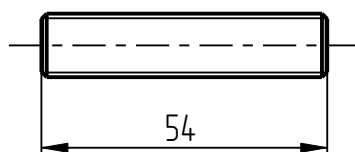
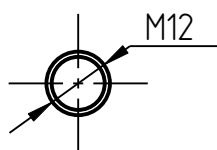
7. Screw 3/4-10UNC  
DPG-401-001-003-007

## 2. Holding plate DPG-401-001-004





1. Holding plate  
DPG-401-001-004-001



2. Threaded stud  
DPG-401-001-004-002