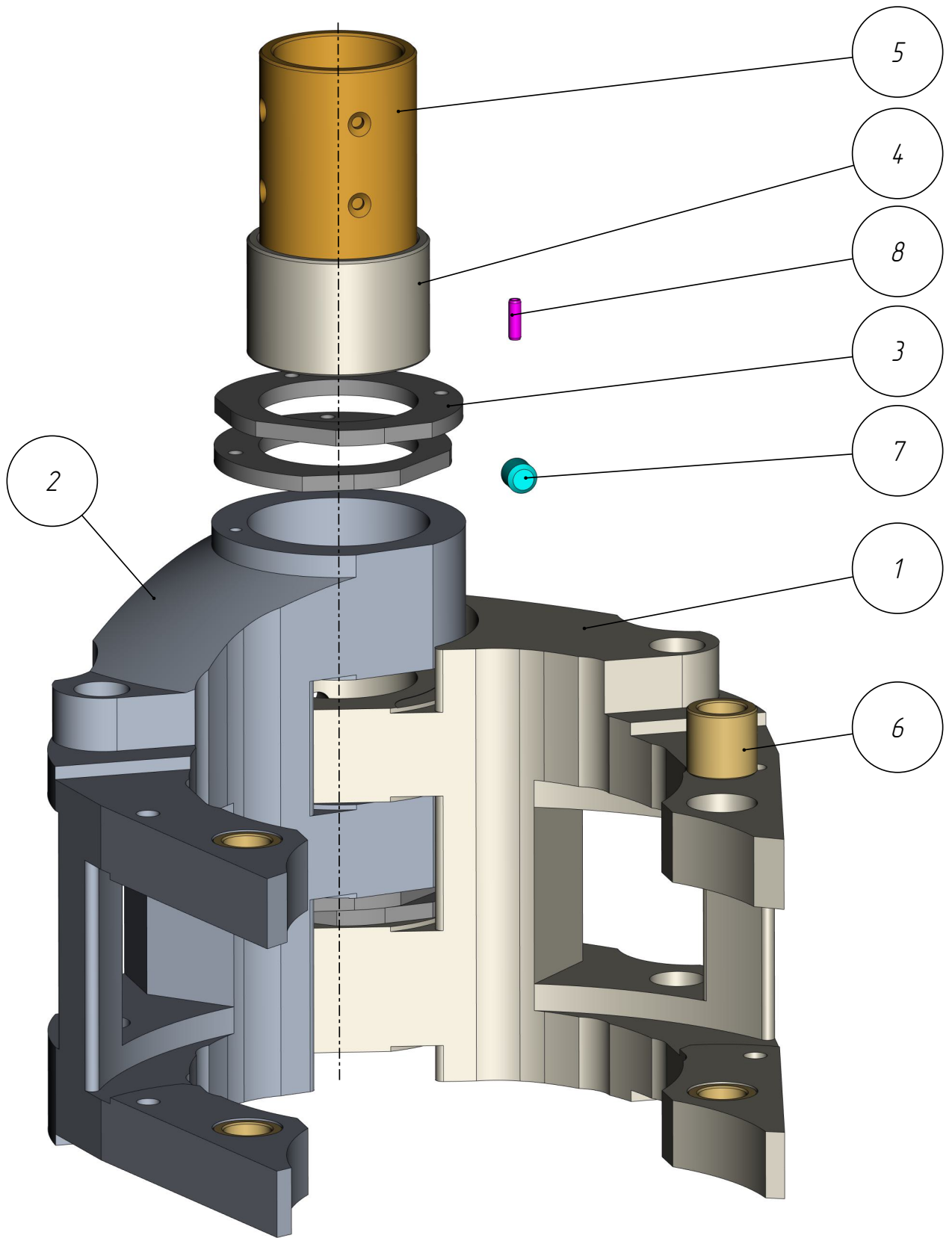


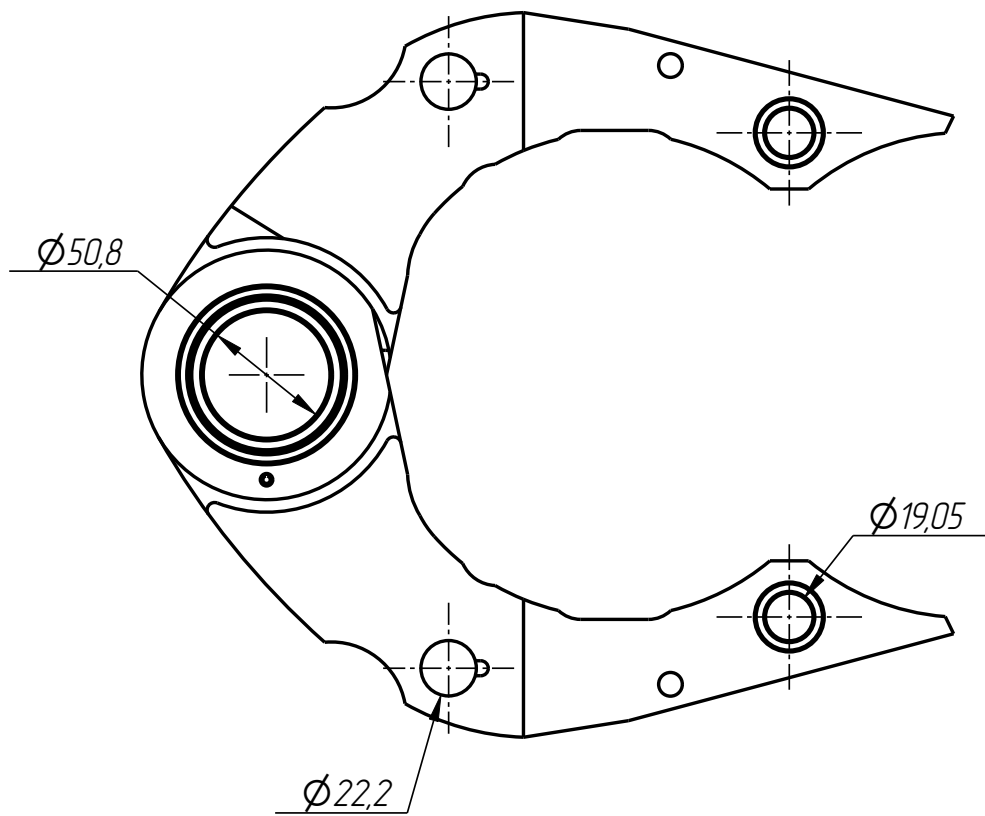
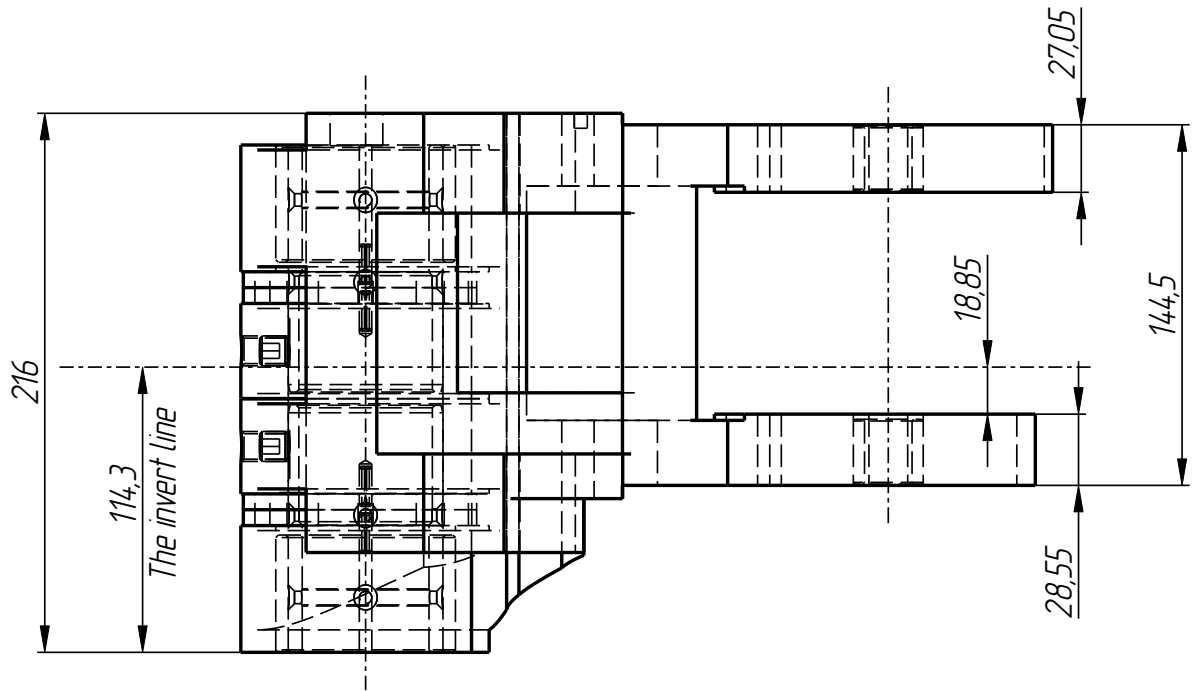
401

DF-401-001

*Form Holder
(23-1013GRI)*



100-101-01
DF-401-001



DF-401-001

Form Holder
(23-1013GRI)

Specification

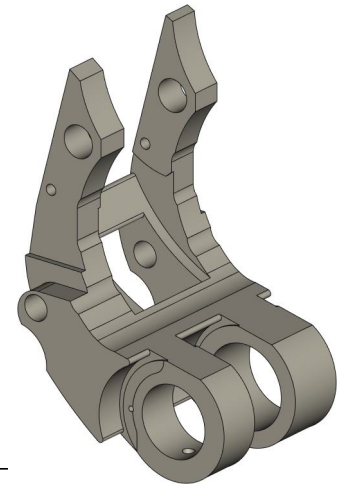
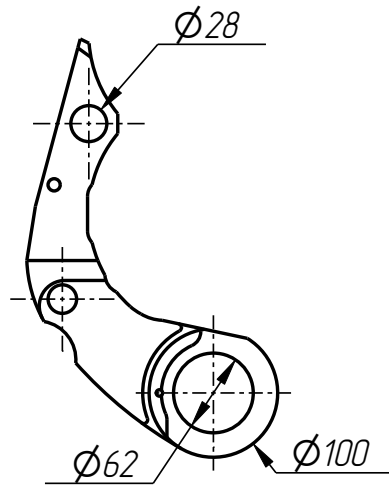
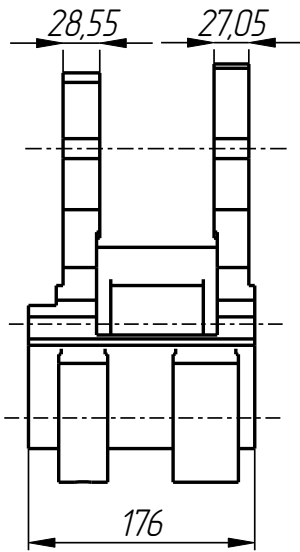
<i>Nº pos.</i>	<i>Code</i>	<i>Name</i>	<i>Qty</i>
----------------	-------------	-------------	------------

Parts:

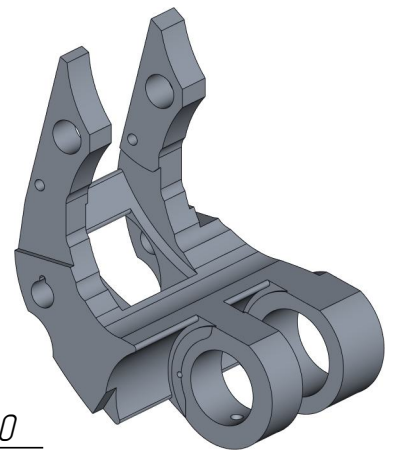
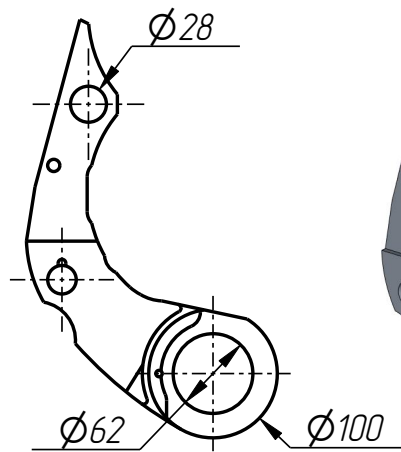
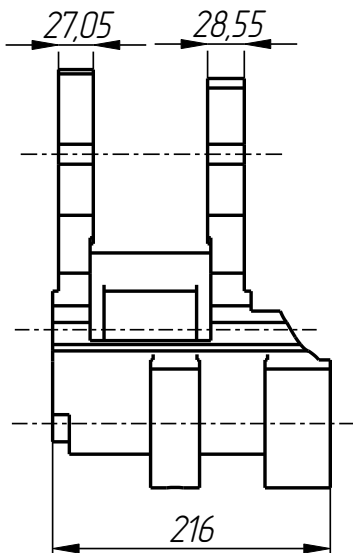
1	DF-401-001-001	Lower lever	1
2	DF-401-001-002	Upper lever	1
3	DF-401-001-003	Remote washer	4
4	DF-401-001-004	Bushing	2
5	DF-401-001-005	Bushing	2
6	DF-401-001-006	Bushing	4

Standard parts:

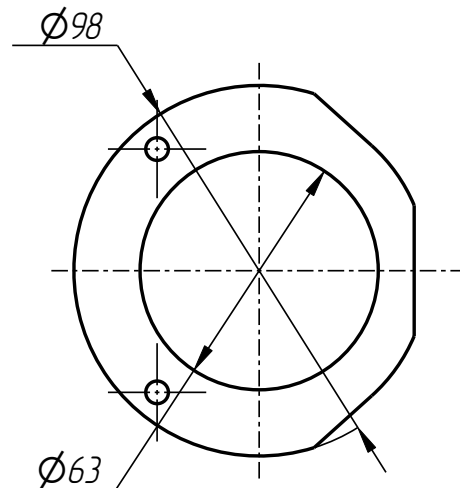
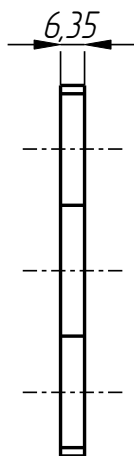
7	Screw M12x12 GOST 11074-93		2
8	Spring pin ϕ 5x16 DIN 1481		4



Lower lever
DF-401-001-001



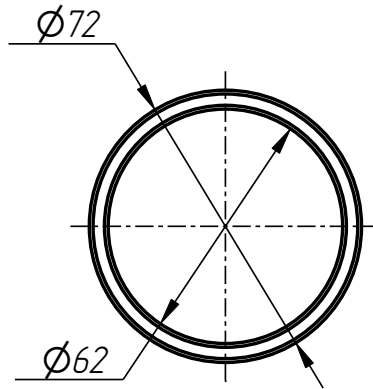
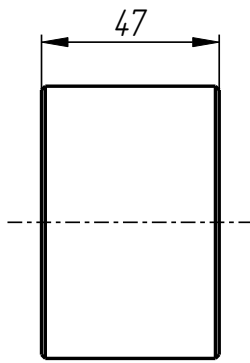
Upper lever
DF-401-001-002



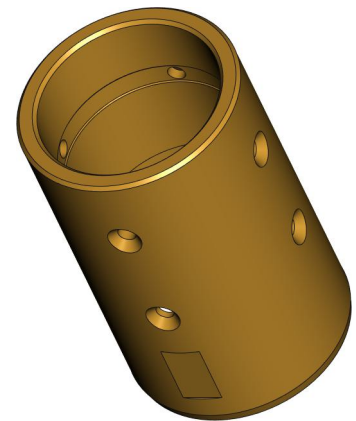
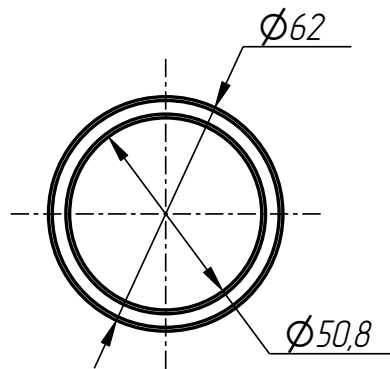
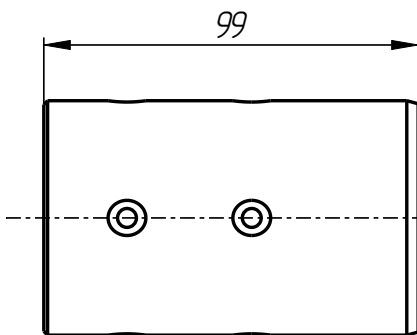
Remote washer
DF-401-001-003

Form Holder
(23-1013GR1)
DF-401-001

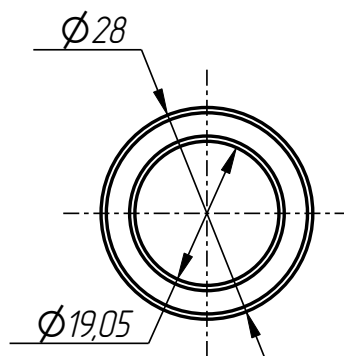
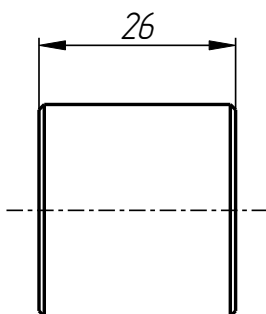
401



Bushing
DF-401-001-004



Bushing
DF-401-001-005



Bushing
DF-401-001-006

100-101-10